

Distributed by:

**JAMECO**<sup>®</sup>  
ELECTRONICS

**www.Jameco.com ♦ 1-800-831-4242**

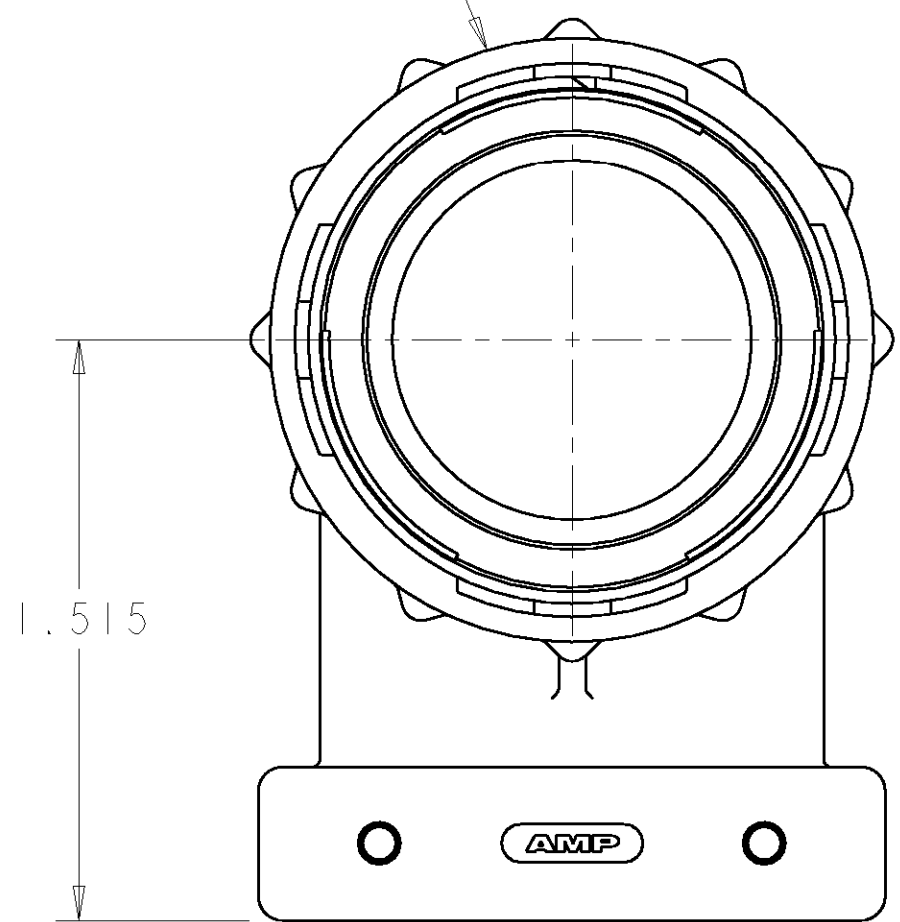
The content and copyrights of the attached  
material are the property of its owner.

Jameco Part Number 840464

THIS DRAWING IS UNPUBLISHED. RELEASED FOR PUBLICATION  
 © COPYRIGHT 19 BY TYCO ELECTRONICS CORPORATION. ALL RIGHTS RESERVED.

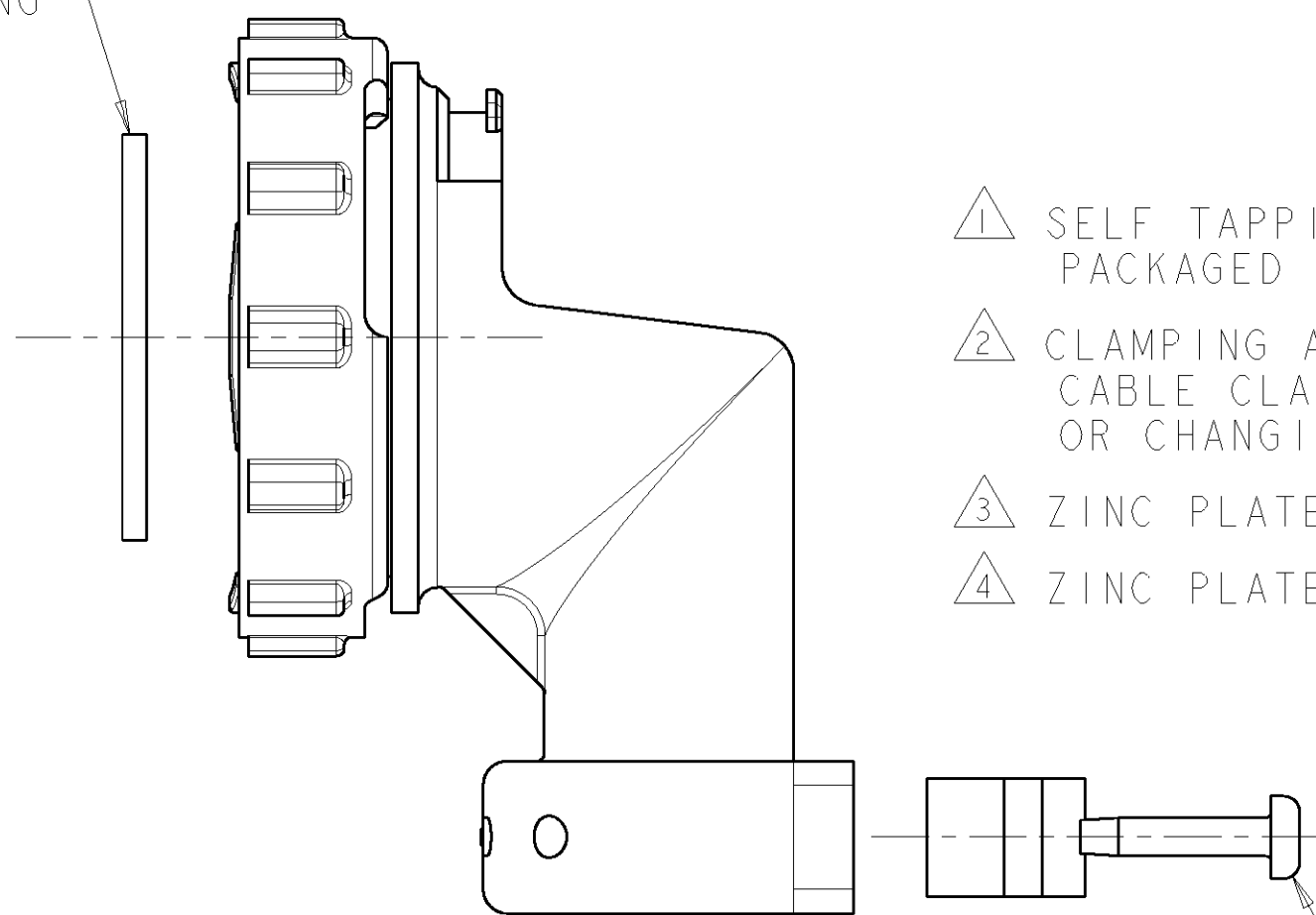
LOC	DIST	REVISIONS			
P	LTR	DESCRIPTION	DATE	DWN	APVD
	O	PRELIMINARY	19JAN2000	SW	MC
	A	REV PER OG3B-0376-00	31JAN01	BH	MC
	B	REVISED ECO-06-002189	01FEB2006	SW	SH

COUPLING RING  
 NYLON, COLOR:BLACK



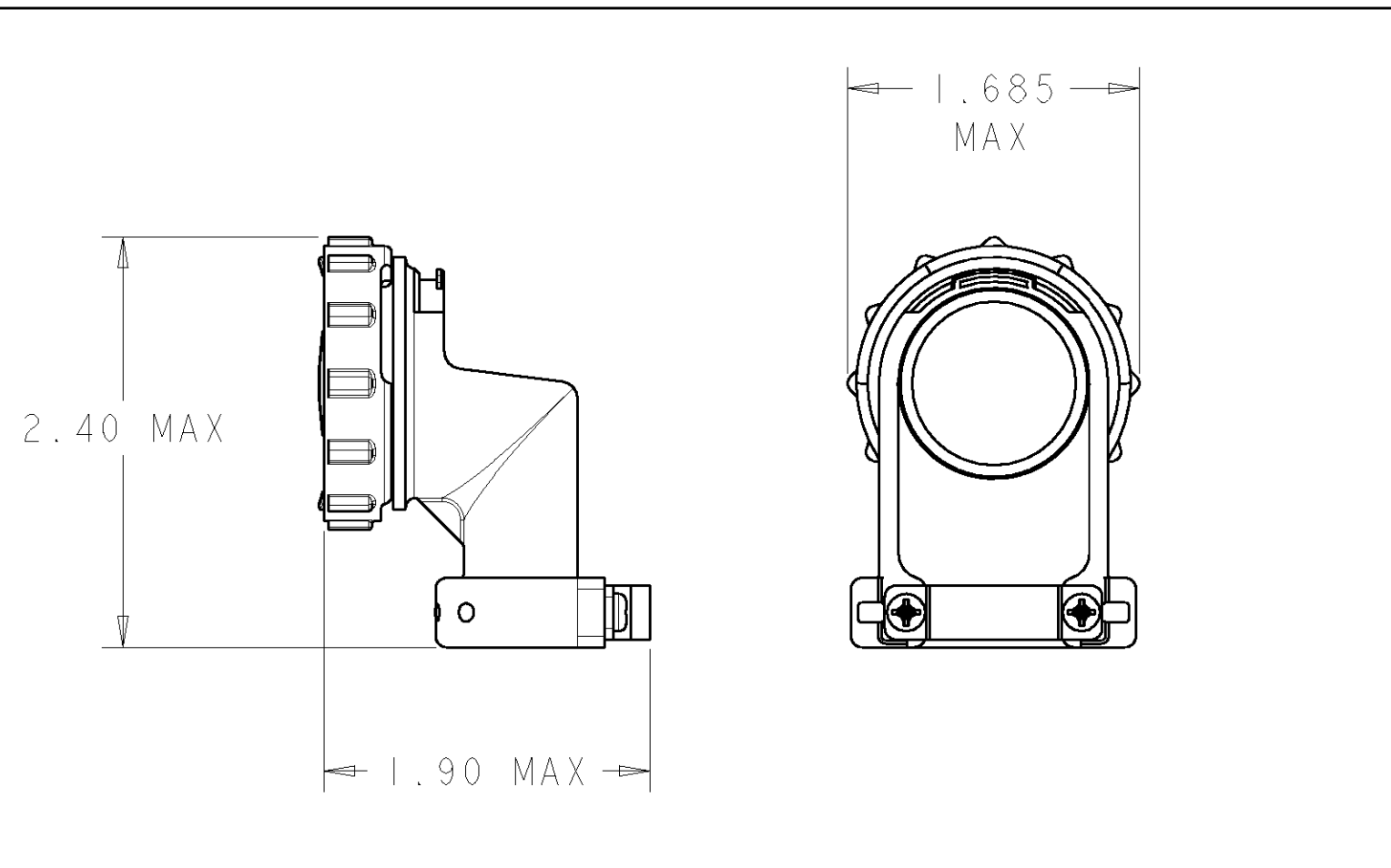
CABLE CLAMP BODY  
 NYLON, COLOR:BLACK

FLAT RING

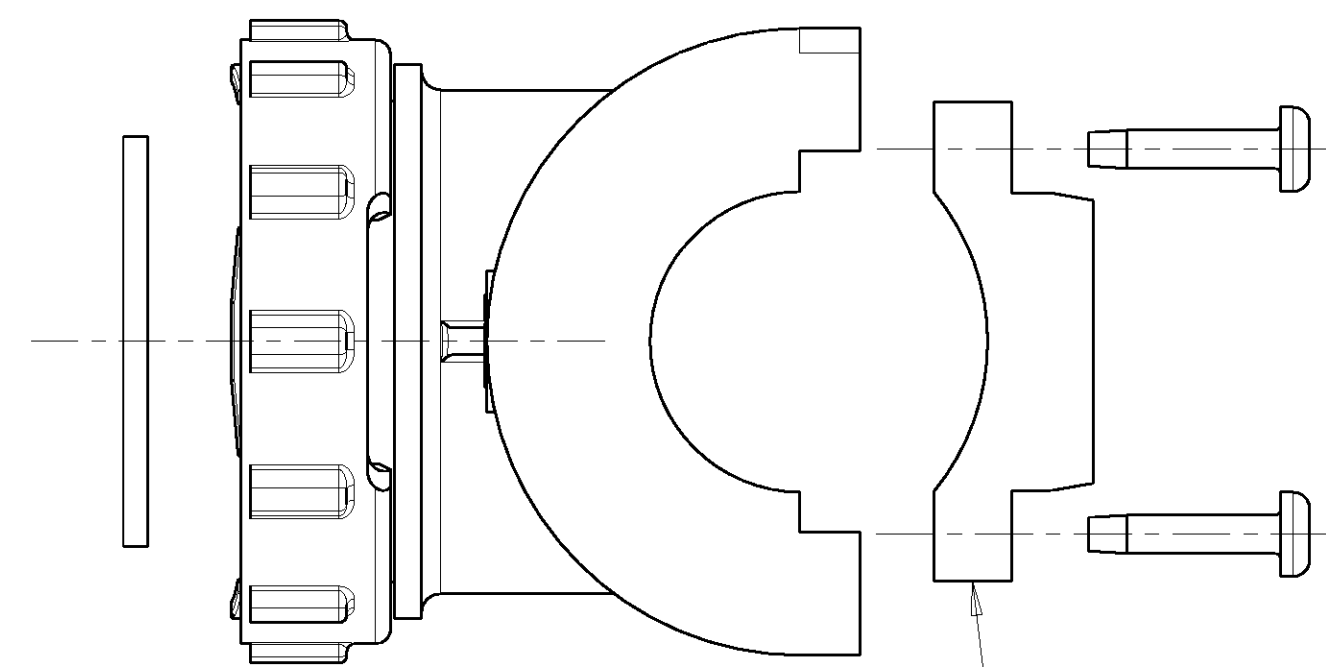


- ① SELF TAPPING SCREWS AND CABLE CLAMP INSERTS PACKAGED UNASSEMBLED.
- ② CLAMPING AREA ADJUSTABLE TO .703 O.D. MAX CABLE. CABLE CLAMP INSERTS CAN BE ADJUSTED BY INVERTING OR CHANGING CABLE CLAMP INSERT.
- ③ ZINC PLATED HEXAVALENT CHROMATE.
- ④ ZINC PLATED NON-HEXAVALENT CHROMATE.

5-20 SELF TAPPING SCREW  
 MATERIAL: STEEL  
 FINISH: SEE TABLE  
 QTY:2 ①



ASSEMBLED VIEW  
 SCALE: 1:1



CABLE CLAMP INSERT  
 NYLON, COLOR:BLACK  
 QTY:2 ①②

④	796382-2
③	796382-1
SCREW FINISH	PART NUMBER

<small>THIS DRAWING IS A CONTROLLED DOCUMENT FOR TYCO ELECTRONICS CORPORATION. IT IS SUBJECT TO CHANGE AND THE CONTROLLING ENGINEERING ORGANIZATION SHOULD BE CONTACTED FOR THE LATEST REVISION.</small>		DWN S. WELDON 19JAN2000 CHK M. CHACKO 19JAN2000 APVD M. CHACKO 19JAN2000	<b>AMP</b> AMP Incorporated Harrisburg, PA 17105-3608
DIMENSIONS: INCHES 	TOLERANCES UNLESS OTHERWISE SPECIFIED: 0 PLC ± 1 PLC ± 2 PLC ± 3 PLC ±0.005 4 PLC ± ANGLES ± FINISH -	PRODUCT SPEC - APPLICATION SPEC - WEIGHT -	NAME CABLE CLAMP KIT, UNASSEMBLED, RIGHT ANGLE, SIZE 23, CPC SIZE A2 CAGE CODE 00779 DRAWING NO. 796382 RESTRICTED TO - CUSTOMER DRAWING SCALE 2:1 SHEET 1 OF 1 REV B