

NOTES:

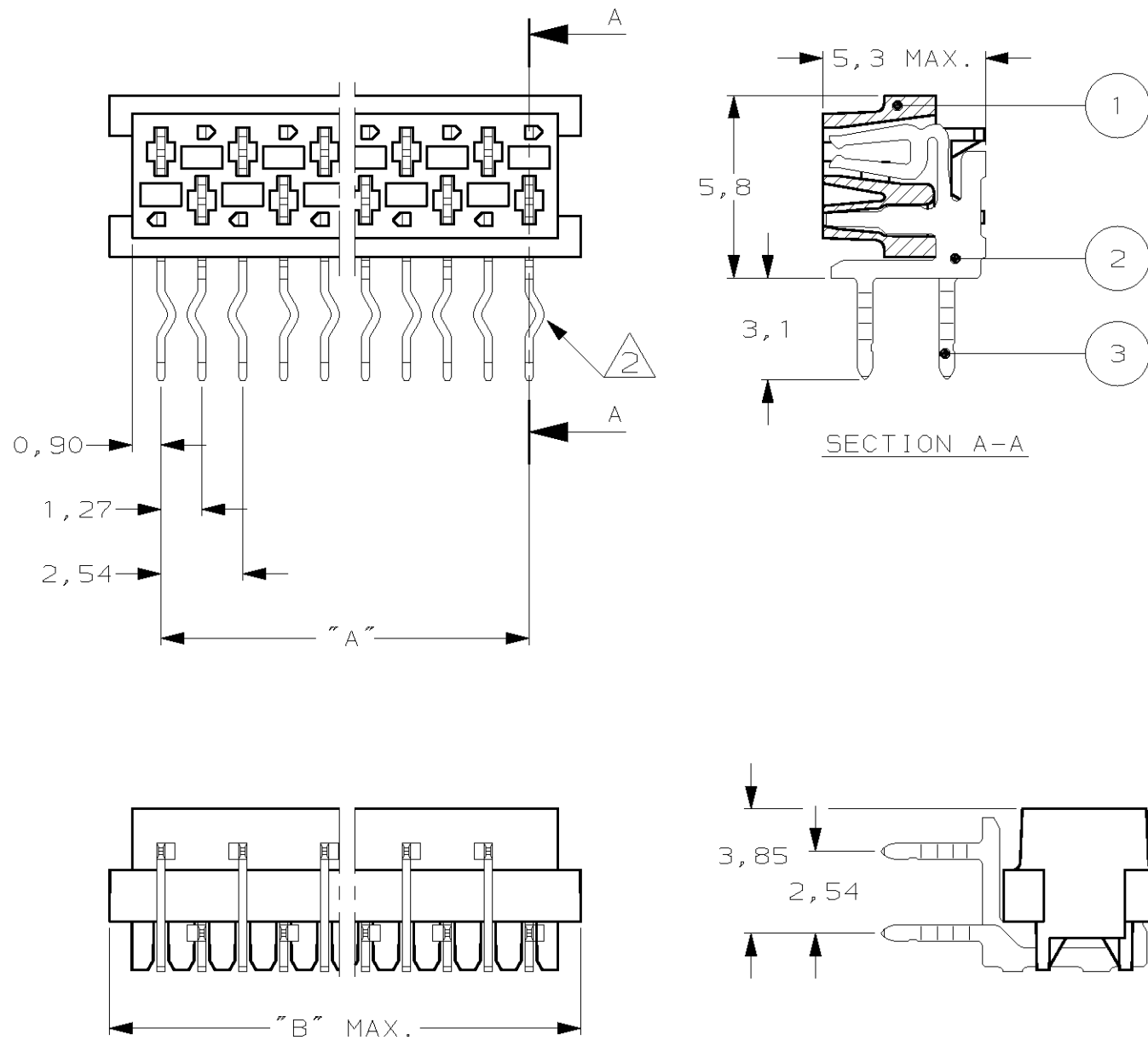
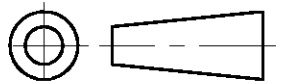
- 1 THIS AREA IS RESERVED FOR CONTACTS.
- 2 DIRECTION OF KINK OPTIONAL.
- 3 PRODUCT SPECIFICATION: 108-19052

DO NOT SCALE

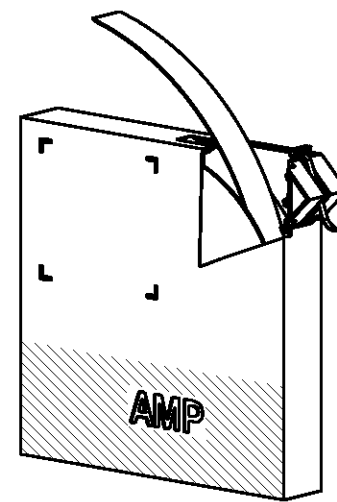
DIMENSIONS IN mm

METRIC

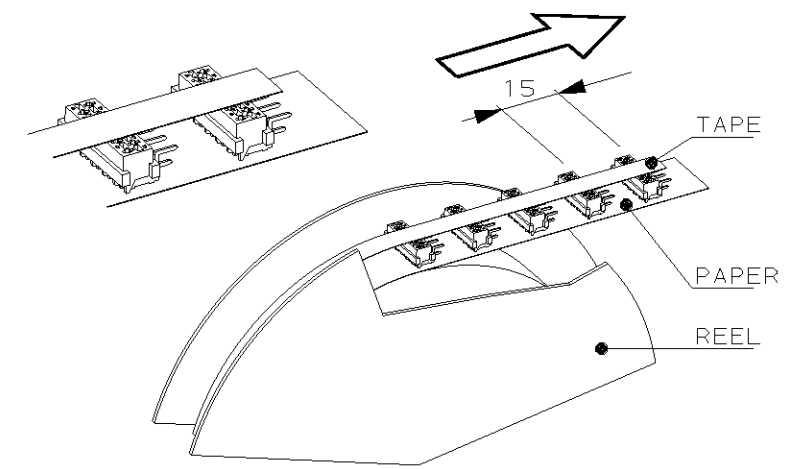
THIRD ANGLE  
PROJECTION



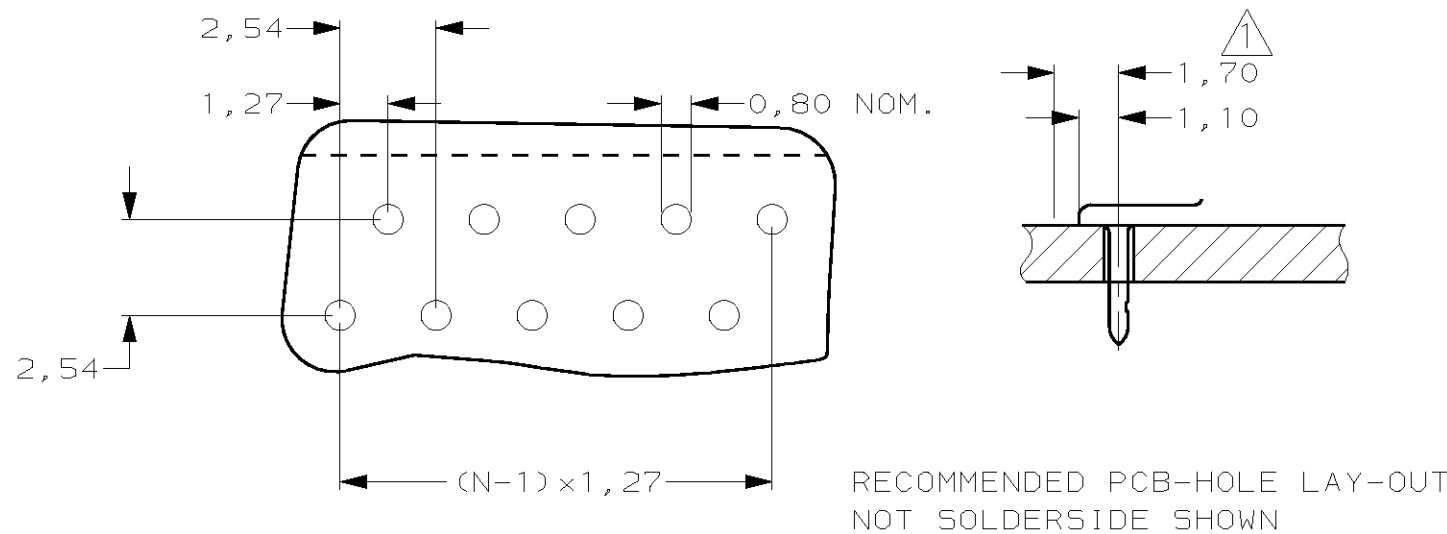
PARTNUMBERS BOX PACKAGING	PARTNUMBERS REEL PACKAGING	NUMBER OF POSITIONS	"A"	"B"
7-100400-4	0-100400-4	4	3,81	7,1
7-100400-6	0-100400-6	6	6,35	9,7
7-100400-8	0-100400-8	8	8,89	12,2
8-100400-0	1-100400-0	10	11,43	14,7
8-100400-2	1-100400-2	12	13,97	17,3
8-100400-4	1-100400-4	14	16,51	19,8
8-100400-6	1-100400-6	16	19,05	22,4
8-100400-8	1-100400-8	18	21,59	24,9
9-100400-0	2-100400-0	20	24,13	27,4



BOX PACKAGING  
250 CONNECTORS PER BOX  
FOR ALL PARTNUMBERS.



REEL PACKAGING  
DEREELING DIRECTION AND CONNECTOR POSITION.  
QUANTITY 2500 CONNECTORS PER REEL FOR ALL PARTNUMBERS,  
EXCEPT 4 POSITION 1500 CONNECTORS PER REEL.



FINISH	MATERIAL	DESCRIPTION	ITEM
TIN OVER NICKEL PLATING.	PHOSPHORBRONZE	FEMALE CONTACT	3
TIN OVER NICKEL PLATING.	PHOSPHORBRONZE	FEMALE CONTACT	2
	GLASS FILLED POLYESTER (RED)	HOUSING	1

<b>CUSTOMER DRAWING</b>					FOR REFERENCE ONLY WILL NOT BE UPDATED				
© COPYRIGHT 19-					BY AMP-HOLLAND B.V.				
ALL INTERNATIONAL RIGHTS RESERVED. AMP PRODUCTS MAY BE COVERED BY U.S. AND FOREIGN AND/OR PATENTS PENDING.									
THIS DRAWING IS UNPUBLISHED									
RELEASED FOR PUBLICATION									
<b>AMP</b>					AMP-HOLLAND B.V. 's-Hertogenbosch, The Netherlands.				
NAME Micro-MaTch FEMALE ON BOARD									
SIDE ENTRY WITHOUT POLARIZATION									

LTR.	REVISION RECORD	DR.	CHK.	DATE
DR.: J. V. DREUMEL	CHK.: H. KOKKEN	APP.: -	DWG.No.	REV.LTR.
DATE: 29-10-1991	DATE: 29 OCT 1991	DATE: -	100400	G
		SHEET		A3
		1 OF 1		