

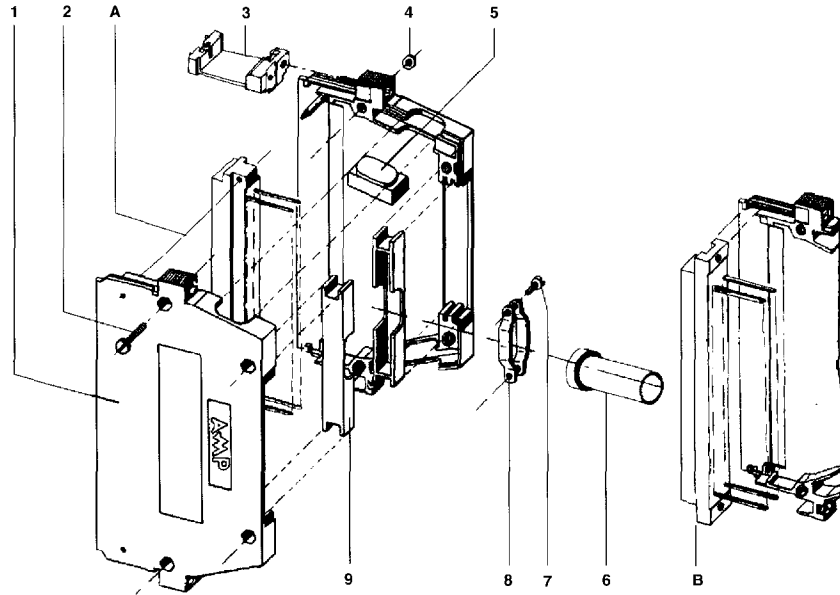
Two-Piece Cable Clamp Assemblies

Kit parts are packaged unassembled

Part Details

| Item | Description |
|------|--|
| A;B | Pin Assembly; Receptacle Assembly (Show for ref. only) |
| 1 | Cover (shell half) |
| 2 | Screw M 2.5 [.10] x ...DIN 84 |
| 3 | Guide Bracket (not supplied in kit) |
| 4 | Hex. nut M 2.5 [.10] DIN 439 |
| 5 | Cable outlet closing plate |
| 6 | Cable Boot |
| 7 | Screw M 2.5 [.10] x ...DIN 84 |
| 8 | Strain Relief Clamp |
| 9 | Fixture for 180° Cable outlet |

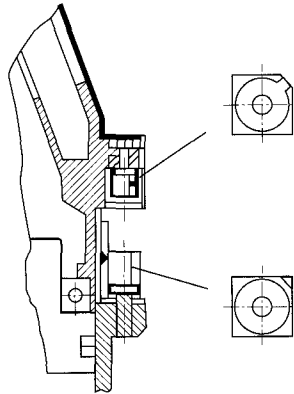
Kit includes strain relief clamp (Item 8) Part No. 826199-6 and cable boot (Item 6) No. 826199-5. They may also be purchased separately.



Part Number 826196-1

Keying Kit

Kit includes two guide pins, and two keying plugs with screws



Keying Kit
Number 827107-1

Accessories