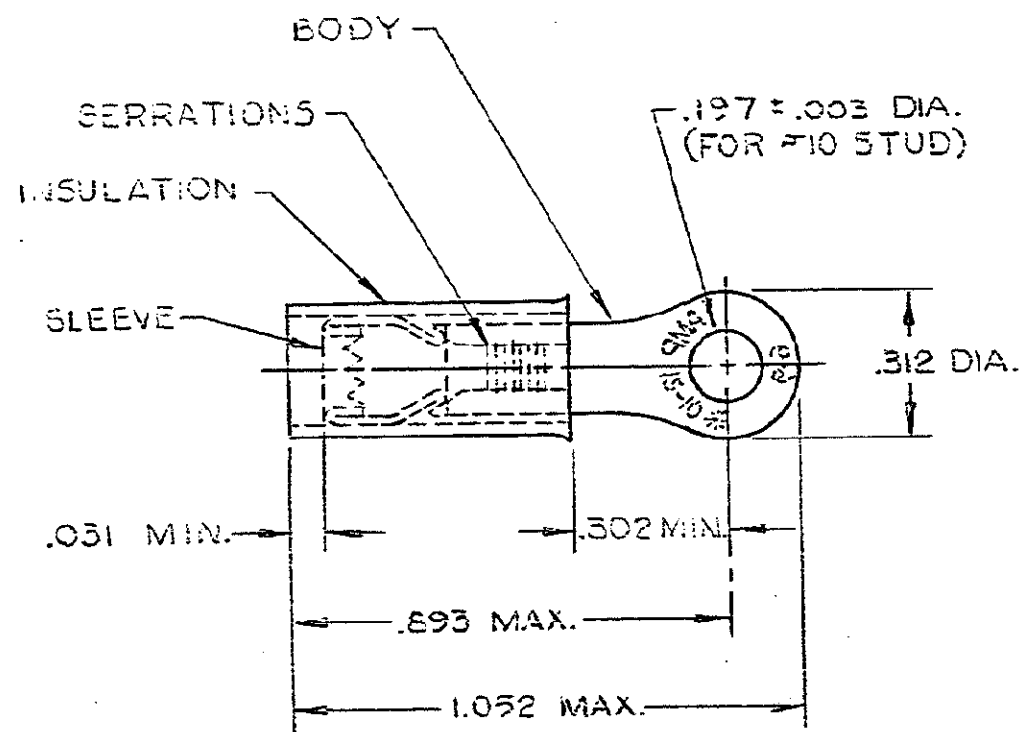


THIS DRAWING IS UNPUBLISHED. RELEASED FOR PUBLICATION

© COPYRIGHT

REVISIONS						
P	F	ZONE	LTR	DESCRIPTION	DATE	APPROVED
		G1		REVISED PER ECO-11-005294	12APR11	HMR



- 1 WIRE INSULATION DIA. = .170-.230
- 2 TONGUE MATERIAL THK. = .040 ± .002
- 3 BODY FINISH = TIN PLATE (MIL-T-10727).000100 MIN THK.

OBSOLETE

50	LOOSE PC, BOX	8-324918-2
500	ON TAPE, LS BOX	8-324918-1
2500	ON TAPE, REEL	1-324918-0
—	LOOSE PIECE	324918

		QUANTITY	DESCRIPTION	PART NO
UNLESS OTHERWISE SPECIFIED DIMENSIONS ARE IN INCHES. TOLERANCES ON: DECIMALS ±.003 ANGLES ±	CONTRACT NO		TE Connectivity	TERMINAL, P.I.D.G., RING TONGUE WIRE SIZE: 12-10
	OR UTA /RFS 10-3-85			
MATERIAL INSULATION: NYLON-YELLOW BODY & SLEEVE: COPPER (QQ-C-576)	CHK P. Muthukrishnan 2-13-86		NAME	
	APPD. H. A. Logan 2-13-86		NAME	
FINISH BODY- 3	DSGN APPD	SIZE B	FSCM NO 00779	DRAWING NO 324918
	OTHER APPD	SCALE NTS	SHEET 1 OF 1	

CUSTOMER DRAWING