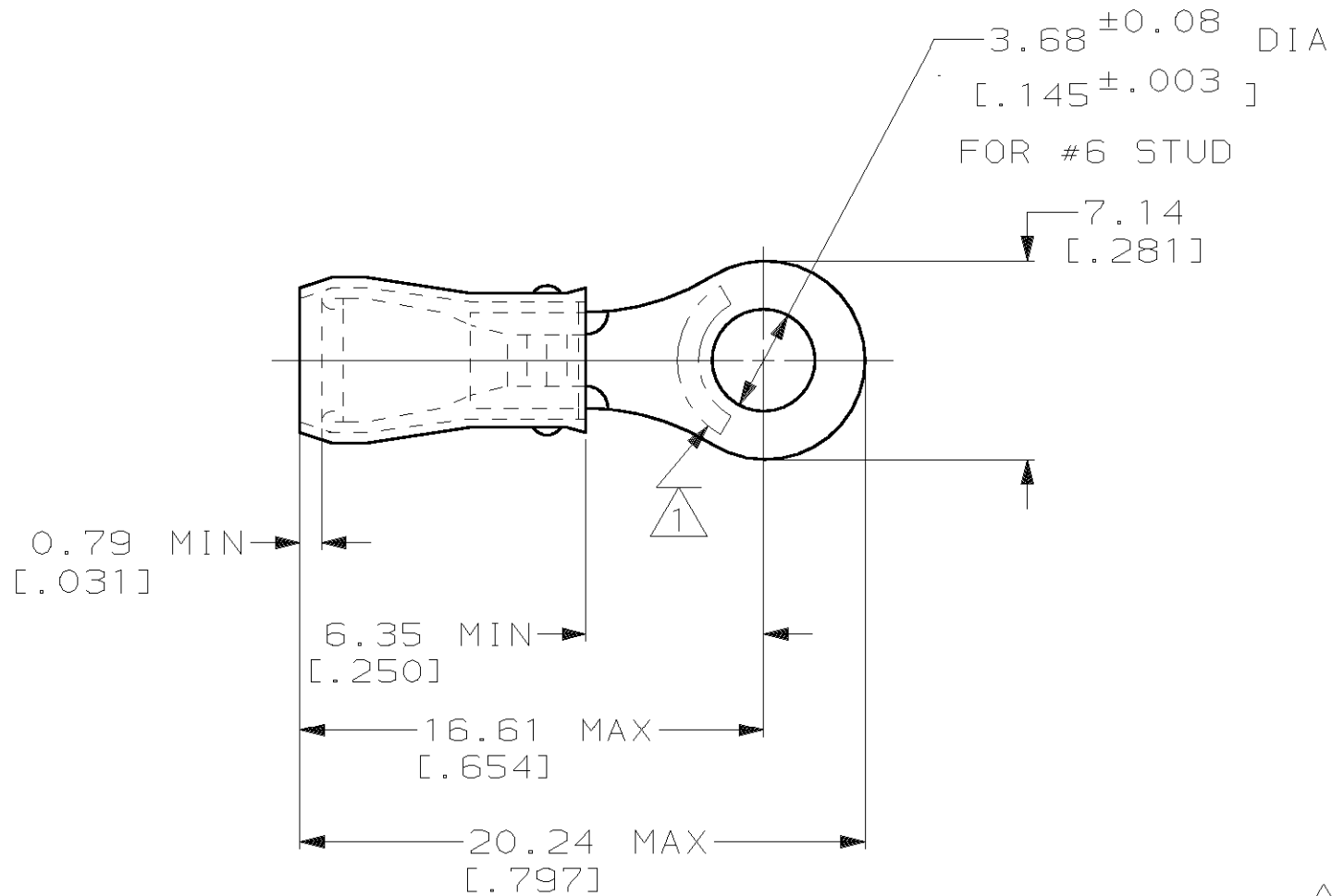


THIS DRAWING IS UNPUBLISHED. RELEASED FOR PUBLICATION, 19
 © COPYRIGHT 19 BY AMP INCORPORATED. ALL INTERNATIONAL RIGHTS RESERVED.

LOC	DIST	P	F	REVISIONS			DATE	APPD
G	14			ZONE	LTR	DESCRIPTION		
					K	REV PER OG3A-0274-01	26JUL01	SR TM

AMP WIRE RANGE	UL Listed	SR LR7189 Certified
22-16 AWG SOLID OR STRANDED	22-16 AWG SOLID OR STRANDED	22-16 AWG SOLID OR STRANDED



- ① STAMP AMP 22-18* APPROX AS SHOWN
22-16 TERMINALS ARE STAMPED 22-18 IN
ACCORDANCE WITH MILITARY SPEC MIL-T-7928
COMMERCIAL WIRE RANGE IS 22-16
- 2 WIRE INSULATION DIA: .105 - .140
- 3 TONGUE MATERIAL THK: 0.79 ± 0.05 [.031 ± .002]
- ④ SUPERSEDED BY 8-36152-1

④	-	5	LOOSE PIECE, BLS	8-36152-4
④	-	50	LOOSE PIECE, BAG	8-36152-5
-	-	100	LOOSE PIECE, BOX	8-36152-1
-	-	5000	ON TAPE, REEL	2-36152-1
-	-	-	LOOSE PIECE	36152
	MILITARY P/N AND CLASS	QUANTITY	PACKAGE TYPE	PART NO

AMP INCORPORATED
CUSTOMER SERVICE SYSTEMS

FOR ADDITIONAL PRODUCT INFORMATION OR COPIES OF DRAWINGS AND TECHNICAL DOCUMENTS
 PRODUCT INFORMATION CENTER
 1-800-522-6752

FOR APPLICATION TOOLING INFORMATION
 TOOLING ASSISTANCE CENTER
 1-800-722-1111

FOR ORDER ENTRY
 1-800-526-5142

MAX RECOMMENDED OPERATING TEMPERATURE:
 105°C MAX

VOLTAGE RATING:
 300 V MAX

WIRE CROSS SECTIONAL AREA RANGE:
 0.26-1.65mm² [509-3,260] CIR MILS
 SOLID OR STRANDED

THIS DRAWING IS A CONTROLLED DOCUMENT FOR AMP INCORPORATED. IT IS SUBJECT TO CHANGE AND THE CONTROLLING ENGINEERING ORGANIZATION SHOULD BE CONTACTED FOR THE LATEST REVISION.

DO NOT SCALE PRINT. UNLESS SPECIFIED DIMENSIONS IN mm [INCHES] TOLERANCES ON:
 2 PLC DEC ± 0.20[.008]
 3 PLC DEC ± -
 ANGLES ± -

MATERIAL
 COPPER ASTM B-152
 SLEEVE, RED NYLON

FINISH
 TIN PLATE
 PER ASTM B545

DR 02/11/93
 DK SCHRUM
 CHK 4/28/93
 RE HERSEY
 APPD 4/28/93
 ML ELLIS
 APPD 4/28/93
 M BARNABA
 PRODUCT SPEC
 UL 486A
 APPLICATION SPEC
 NOT AVAILABLE
 WEIGHT -

AMP AMP Incorporated
 Harrisburg, PA 17105-3608

NAME
 TERMINAL, RING TONGUE,
 PIDG™, WIRE SIZE: 22-16 AWG

SIZE **B** CAGE CODE 00779 DRAWING NO **C-36152**
 SCALE 4:1 SHEET 1 OF 1