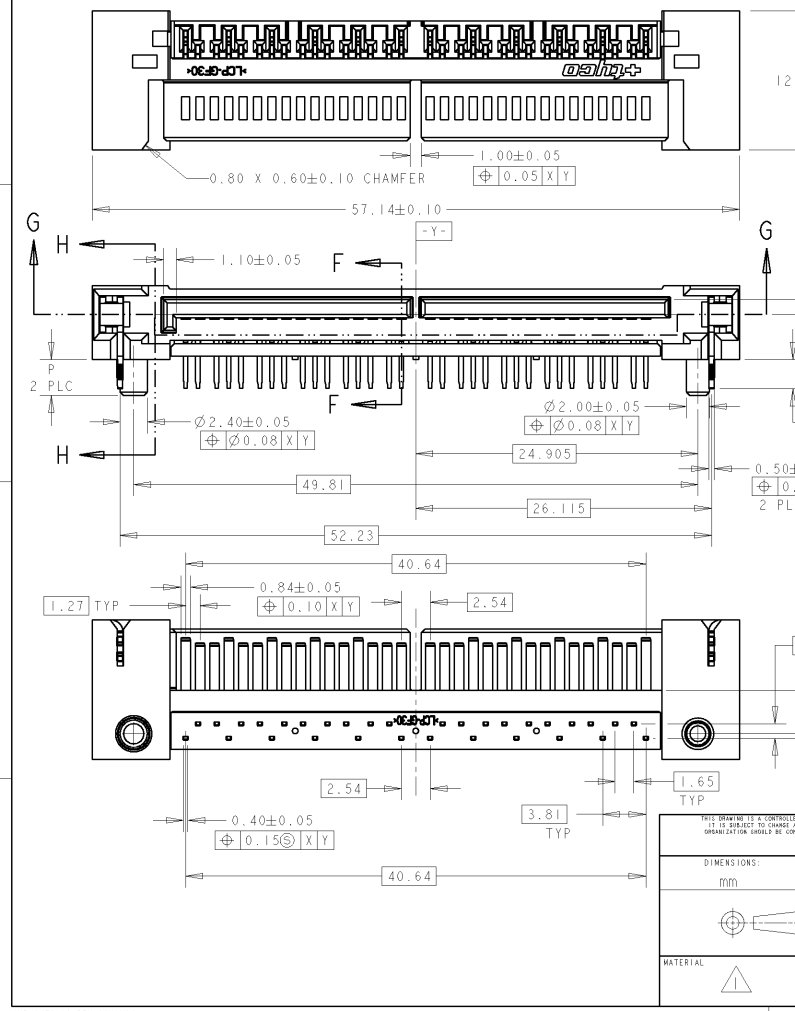


THIS DRAWING IS UNPUBLISHED. RELEASED FOR PUBLICATION
COPYRIGHT 19 BY AMP INCORPORATED. ALL RIGHTS RESERVED.

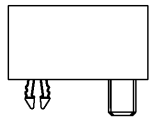
LOC	DIST	REVISIONS			
P	LTR	DESCRIPTION	DATE	DWG	APVD
G		REVISED ECR-05-012443	50CT05	LWY	TAP



NOTES:

1 MATERIAL HOUSING: HIGH TEMPERATURE THERMOPLASTIC GLASS FILLED, UL94V-0, REGRIND 25% MAXIMUM
CONTACT: COPPER ALLOY
BOARDLOCK: COPPER ALLOY

2 FINISH CONTACT: 0.76um MIN GOLD ON MATING AREA AND 1.91um MIN TIN (LEAD-FREE) ON SOLDER AREA, BOTH OVER 1.27um MIN NICKEL
BOARDLOCK: 2.54um MIN TIN OVER 1.27um MIN NICKEL

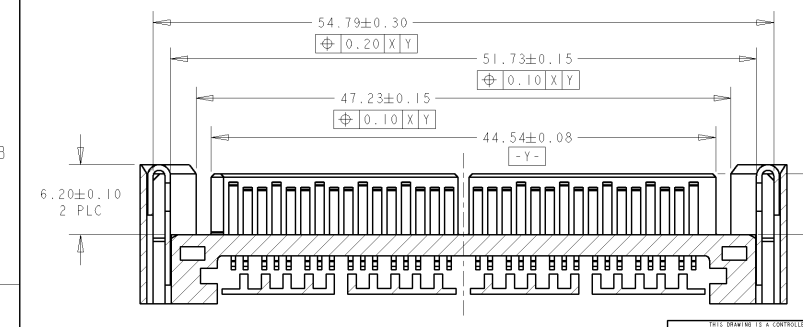
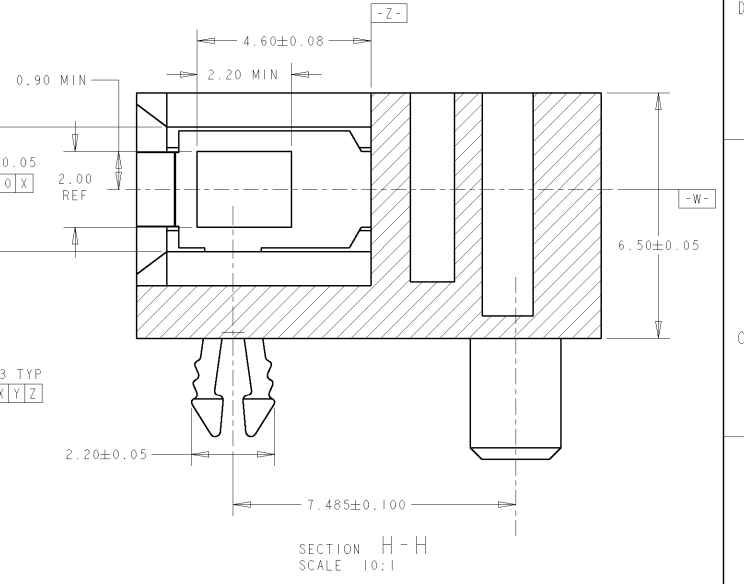
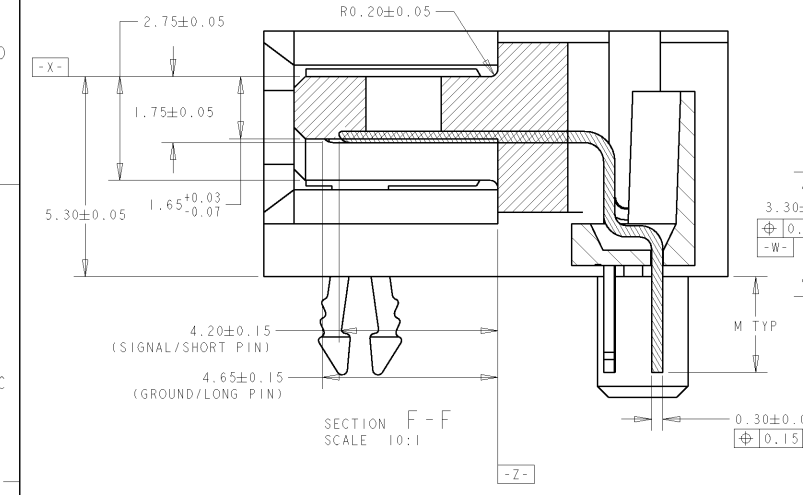


THIS DRAWING IS A CONTROLLED DOCUMENT FOR AMP INCORPORATED IT IS SUBJECT TO CHANGE AND THE CONTROLLING ENGINEERING ORGANIZATION SHOULD BE CONTACTED FOR THE LATEST REVISION.		DWG: WYLEE 12FEB2004 CHK: AP TAY APVD: SEIFONG PRODUCT SPEC: - APPLICATION SPEC: - WEIGHT: - CUSTOMER DRAWING	tyco Electronics Tyco Electronics Singapore Pte. Ltd.
DIMENSIONS: mm 	TOLERANCES UNLESS OTHERWISE SPECIFIED: 0 PLC ±.15 1 PLC ±0.15 2 PLC ±0.15 3 PLC ±.15 4 PLC ±.15 ANGLES ±.0°	NAME: CONNECTOR, SATA PLUG, 16+16P, RIGHT-ANGLE SIZE: A3 CAGE CODE: 00779 DRAWING NO: C=84980	SCALE: 3:1 SHEET: 1 OF 3 REV: G

AMP 1470-19 REV 09RAT94

PRO/ENGINEER DRAWING

LOC	DIST	REVISIONS					
DY	-	P	LTR	DESCRIPTION	DATE	DWG	APVD
SEE SHEET 1							



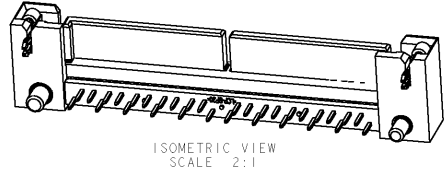
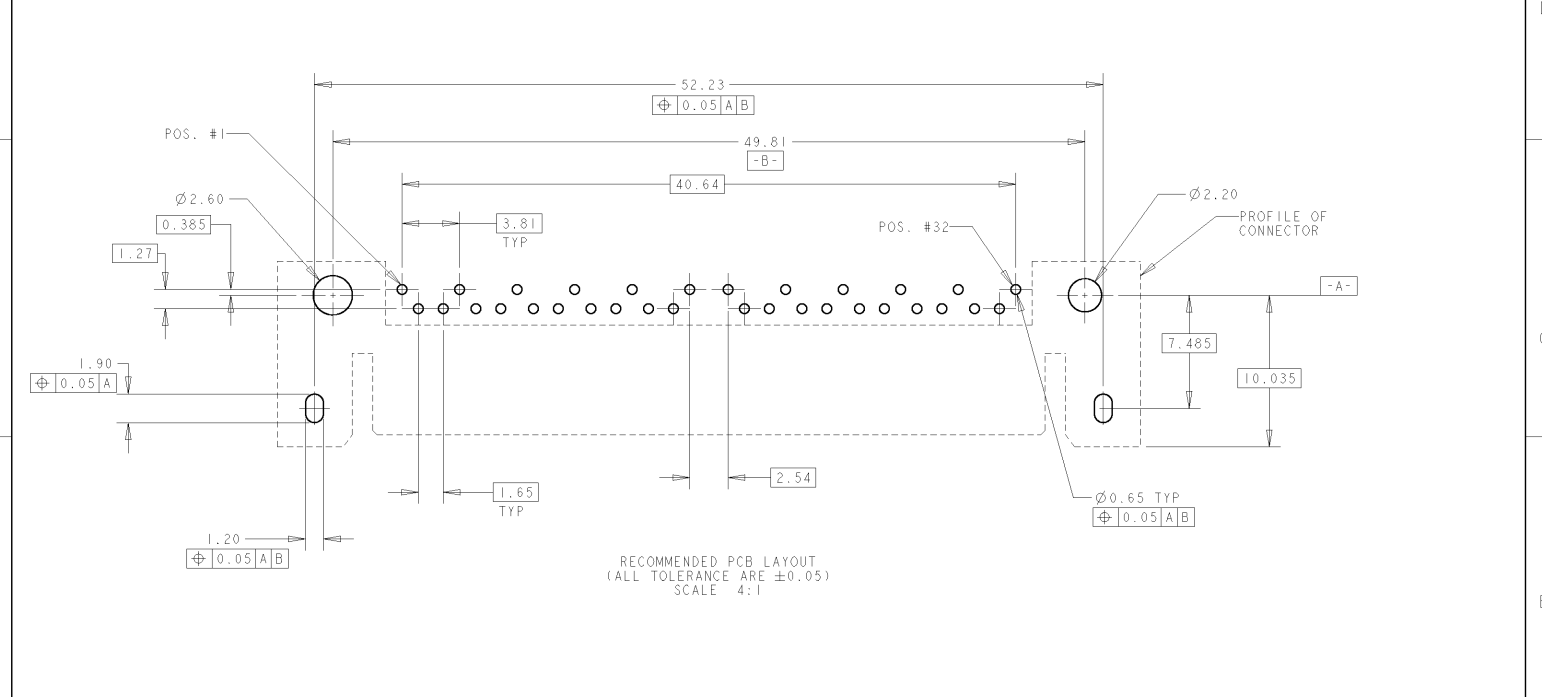
NATURAL	1.57±0.10	3.20	2.60	2.54	16+16P	84980-5
BLACK	3.18±0.10	4.00	4.35	4.06	16+16P	84980-4
BLACK	1.57±0.10	3.20	2.60	2.54	16+16P	84980-3
BLACK	3.18±0.10	4.00	4.35	4.06	16+16P	84980-2
BLACK	1.57±0.10	3.20	2.60	2.15	16+16P	84980-1
COLOR	PCB THICKNESS	P	N	M	POS.	PART NO.

OBSOLETE
OBSOLETE

SECTION G-G

<p>THIS DRAWING IS A CONTROLLED DOCUMENT FOR AMP INCORPORATED IT IS SUBJECT TO CHANGE AND THE CONTROLLING ENGINEERING ORGANIZATION SHOULD BE CONTACTED FOR THE LATEST REVISION.</p>		DWG: WYLEE 23APR2004 CHK: AP TAY APVD: SEIFONG PRODUCT SPEC: - APPLICATION SPEC: - WEIGHT: - CUSTOMER DRAWING	<p>tyco Electronics</p> Tyco Electronics Singapore Pte. Ltd.
DIMENSIONS: mm 	TOLERANCES UNLESS OTHERWISE SPECIFIED: 0 PLC ± 1 PLC ±0.15 2 PLC ±0.15 3 PLC ±0.15 4 PLC ± ANGLES ±°	NAME: CONNECTOR, SATA PLUG, 16+16P, RIGHT-ANGLE SIZE: A3 CAGE CODE: 00779 DRAWING NO: C=84980	SCALE: 3:1 SHEET: 2 OF 3 REV: G
MATERIAL:	FINISH:		

LOC	DIST	REVISIONS			
P	LTR	DESCRIPTION	DATE	DRW	APVD
DY	-	SEE SHEET 1			



<small>THIS DRAWING IS A CONTROLLED DOCUMENT FOR AMP INCORPORATED IT IS SUBJECT TO CHANGE AND THE CONTROLLING ENGINEERING ORGANIZATION SHOULD BE CONTACTED FOR THE LATEST REVISION.</small>		DRW: WYLEE 23APR2004 CHK: AP TAY APVD: SE IFONG PRODUCT SPEC: - APPLICATION SPEC: - WEIGHT: - CUSTOMER DRAWING	tyco Electronics Tyco Electronics Singapore Pte. Ltd.
DIMENSIONS: mm 	TOLERANCES UNLESS OTHERWISE SPECIFIED: 0 PLC $\pm .15$ 1 PLC ± 0.15 2 PLC ± 0.15 3 PLC ± 0.15 4 PLC $\pm .15$ ANGLES: $\pm .08^\circ$	NAME: CONNECTOR, SATA PLUG, 16+16P, RIGHT-ANGLE	SIZE: A3 CAGE CODE: 00779 DRAWING NO: C=84980
MATERIAL:	FINISH:	SCALE: 3:1 SHEET: 3 OF 3 REV: G	