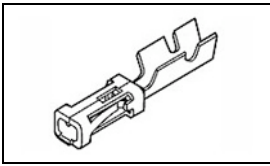


## 86016-3 Product Details

[Share](#) [Print](#) [Email](#)



**86016-3**

TE Internal Number: 86016-3  
Active

[View 3D PDF](#)

### .100 AMPMODU Headers, Housings & Contacts

Always EU RoHS/ELV Compliant (Statement of Compliance)

#### Product Highlights:

- Contact
- Contact Type = Socket
- Crimp Termination Method to Wire/Cable
- Applies To Wire/Cable
- Wire Insulation Diameter = 1.75 mm

[View all Features](#)

### Quick Links

- ▶ [Pricing & Availability](#)
- ▶ [Search for Tooling](#)
- ▶ [Product Feature Selector](#)
- ▶ [Contact Us About This Product](#)

[Add to My Part List](#) [Request Sample](#) [Find Similar Products](#) [Buy Product](#)

### Documentation & Additional Information

#### Product Drawings:

- [RECEPTACLE CONTACT, MOD IV CRIMP SNAP-IN LOOSE PIECE](#) (PDF, English)

#### Catalog Pages/Data Sheets:

- [AMPMODU\\_INTERCONNECTION\\_SYSTEM\\_SECTIONS5\\_CONT](#) (PDF, English)

#### Product Specifications:

- [PRODUCT SPECIFICATION INTERCONNECTION SYSTEM, AMPMOD...](#) (PDF, English)
- [PRODUCT SPECIFICATION INTERCONNECTION SYSTEM, AMPMOD...](#) (PDF, Japanese)

#### Application Specifications:

- [AMPMODU MOD IV, IV1/2, and V Receptacles and Housings](#) (PDF, English)

#### Instruction Sheets:

- None Available

#### CAD Files: (CAD Format & Compression Information)

- [2D Drawing](#) (DXF, Version B)
- [3D Model](#) (IGES, Version B)
- [3D Model](#) (STEP, Version B)

[List all Documents](#)

#### Additional Information:

- [Product Line Information](#)

#### Related Products:

- [Tooling](#)

### Product Features (Please use the Product Drawing for all design activity)

#### Product Type Features:

- Product Type = Contact
- Wire Insulation Diameter (mm [in]) = 1.75 [0.069]
- [Connector Series](#) = Mod IV
- With Insulation Support = Yes
- Applied Pressure = Standard

#### Electrical Characteristics:

- Contact - Rated Current (A) = 3
- Voltage Rating (VAC) = 250
- Termination Resistance (mΩ) = 12
- Insulation Resistance (MΩ) = 5,000
- Dielectric Withstanding Voltage (V) = 750

#### Termination Features:

- [Termination Method to Wire/Cable](#) = Crimp
- Crimp Area Plating = Nickel

#### Body Features:

- [Wire Range \(mm \[AWG\]\)](#) = 0.20-0.60<sup>2</sup> [24-20]

#### Contact Features:

- Contact Type = Socket
- [Contact Plating, Mating Area, Material](#) = Tin
- Contact Base Material = Beryllium Copper

#### Industry Standards:

- [RoHS/ELV Compliance](#) = RoHS compliant, ELV compliant
- [Lead Free Solder Processes](#) = Not relevant for lead free process
- RoHS/ELV Compliance History = Always was RoHS compliant
- Approved Standards = UL E28476, CSA LR7189

#### Environmental:

- Operating Temperature (°C) = -65 - +105

#### Conditions for Usage:

- [Applies To](#) = Wire/Cable

#### Packaging Features:

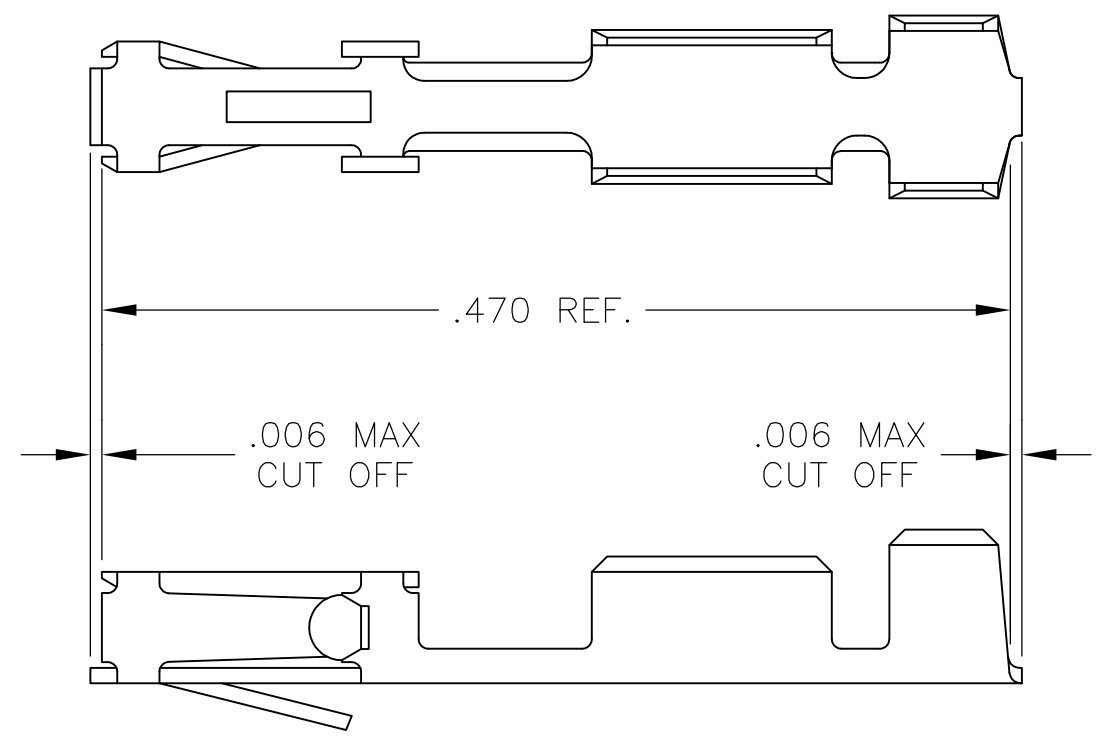
- Packaging Method = Loose Piece

#### Other:

- Brand = AMP
- Comment = (\*) For use with Model "K" machines. Call the Technical Assistance Center (1-800-522-6752) for part numbers of applicators for use with Model "G" machines, as well as other bench machines and fully automatic AMPOMATOR lead making machines.

THIS DRAWING IS UNPUBLISHED. RELEASED FOR PUBLICATION  
 © COPYRIGHT - By - ALL RIGHTS RESERVED.

LOC	DIST	REVISIONS					
AD	00	P	LTR	DESCRIPTION	DATE	DWN	APVD
		B1		REVISED PER ECO-11-004820	11MAR11	RK	HMR



1. WIRE RANGE: #20-#24
2. INSULATION RANGE: .069 MAX. DIA.
3. FOR SECTIONS AND ADDITIONAL DIMENSIONS SEE AMP CUSTOMER DRAWING#85969

OBSOLETE	86016-6	GOLD FLASH OVER .000050 NICKEL ENTIRE CONTACT,.000050 GOLD IN CONTACT AREA
	86016-5	GOLD FLASH OVER .000050 NICKEL ENTIRE CONTACT,.000015 GOLD IN CONTACT AREA
	86016-4	.000050 GOLD OVER .000050 NICKEL
	86016-3	PREPLATED:(HALT).000078-.000158 BRIGHT TIN
	86016-2	GOLD FLASH OVER .000050 NICKEL ENTIRE CONTACT,.000030 GOLD IN CONTACT AREA
	86016-1	.000030 GOLD OVER .000050 NICKEL
	PART NUMBER	FINISH

THIS DRAWING IS A CONTROLLED DOCUMENT.		DWN	E.C. CLAYBAUGH		 TE Connectivity	
DIMENSIONS: INCHES		CHK				
TOLERANCES UNLESS OTHERWISE SPECIFIED:		APVD	NAME			
0 PLC ± - 1 PLC ± - 2 PLC ± - 3 PLC ± - 4 PLC ± - ANGLES ± -		PRODUCT SPEC	RECEPTACLE CONTACT, MOD IV CRIMP SNAP-IN LOOSE PIECE			
MATERIAL	FINISH	APPLICATION SPEC	SIZE	CAGE CODE	DRAWING NO	RESTRICTED TO
BERYLLIUM COPPER	-	WEIGHT	A3	00779	C-86016	-
CUSTOMER DRAWING			SCALE	10:1	SHEET	1 OF 1
					REV	B1