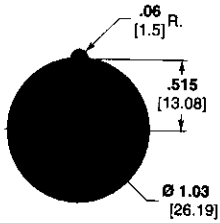
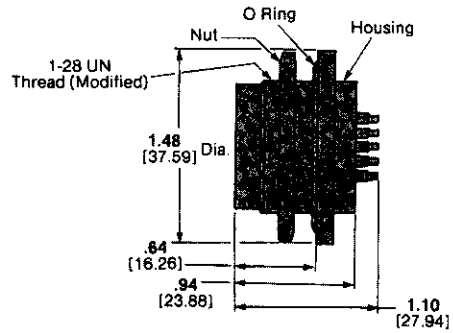


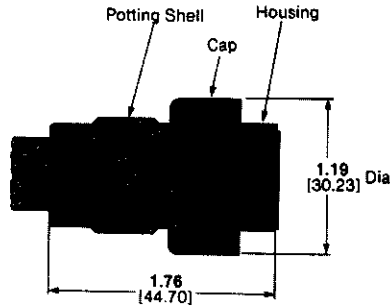
#### Plastic Shell



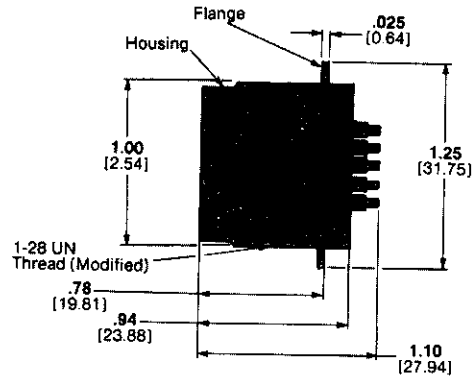
Panel Cutout for Receptacles



**Potted Receptacle**  
Part Number 861999-1 (Non-hermetic)  
Part Number 862794-1 (Hermetic Seal)

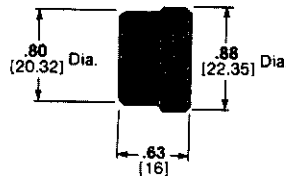


**Potted Plug Kit**  
Part Number 865594-1

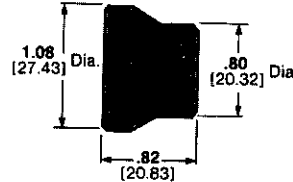


**Receptacle for Hermetic Seal, Solder-Flange-Mount**  
Part Number 862005-1

#### Potting Shells

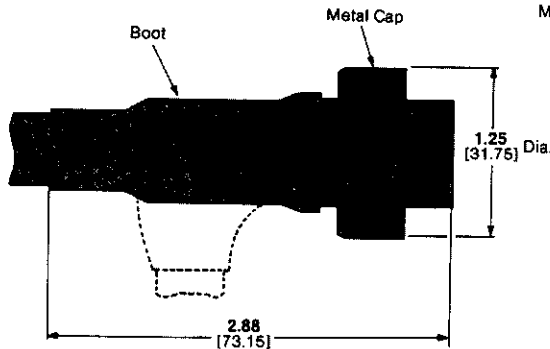


**Plug Potting Shell**  
Part Number 862544-1

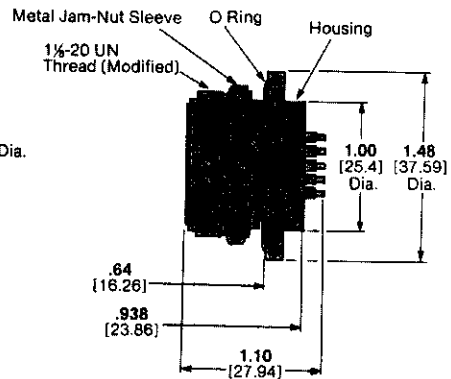


**Receptacle Potting Shell**  
Part Number 862256-1

#### Metal Shell



**Plug Kit**  
Part Number 865656-1 (Straight Boot)  
Part Number 865656-2 (Right-Angle Boot)  
Part Number 865656-3 (No Boot)



**Receptacle**  
Part Number 862004-1 (Non-hermetic)  
Part Number 866182-1 (Hermetic Seal)

High Voltage Connectors