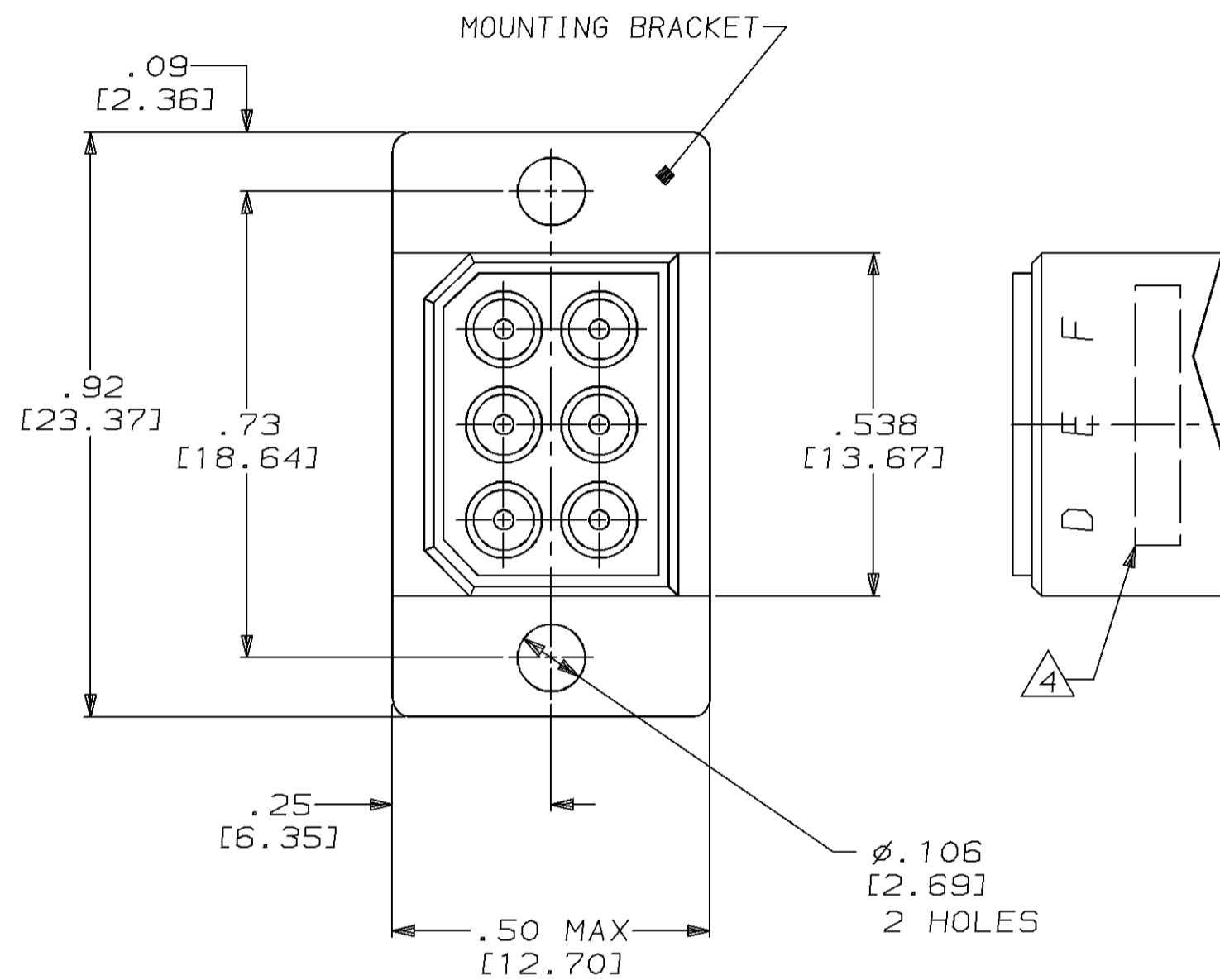
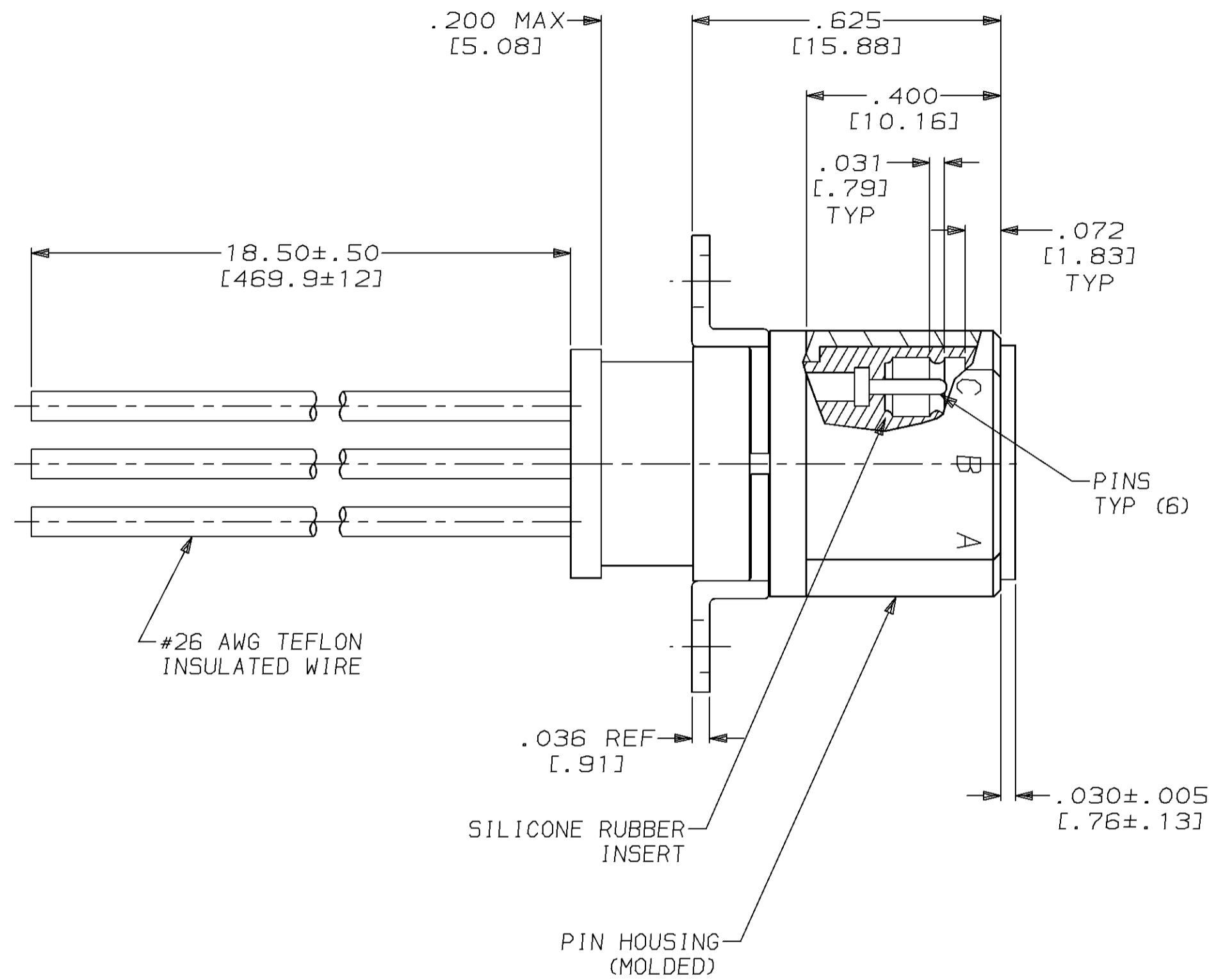


THIS DRAWING IS UNPUBLISHED. RELEASED FOR PUBLICATION
 BY AMP INCORPORATED. ALL RIGHTS RESERVED.

LOC	DIST	REVISIONS					
DF	SO	P	LTR	DESCRIPTION	DATE	DWN	APVD
		E		REV PER 0600-2130-94	01-18-95	TT	DE



- PINS: MATL; LEADED COMERCIAL BRONZE PER ASTM B 140 PER MIL-G-45204, TYPE II (.000030 [.00076] MIN GOLD OVER .000030 [.00076] MIN NICKEL PER QQ-N-290).
- MOLDED PART: FLAME RETARDANT GLASS FILLED THERMOPLASTIC POLYESTER.
- CAVITY LETTERS MARKED IN WHITE INK.
- MARKED PER MIL-STD-130 IN THIS AREA.
- 100% SCREENING INSPECTION IS REQUIRED:
 - VISUAL
 - MECHANICAL
 - INSULATION RESISTANCE; 10 GIGHOMS (MIN) AT 500 VDC
 - VOLTAGE RATING: 5 KVDC
 - SUPPLY DATA: AMP FORM 3032
 - DIELECTRIC WITHSTANDING VOLTAGE (S.L.) 10 KVDC, 10 SEC.

<small>THIS DRAWING IS A CONTROLLED DOCUMENT FOR AMP INCORPORATED. IF IS SUBJECT TO CHANGE AND THE CONTROLLING ENGINEERING ORGANIZATION SHOULD BE CONTACTED FOR THE LATEST REVISION.</small>		DWN T. THOMPSON 01-17-95 CHK D. EARY 01-23-95 APVD D. EARY 01-23-95	AMP AMP Incorporated Harrisburg, PA 17105-3608
DIMENSIONS: IN [mm]	TOLERANCES UNLESS OTHERWISE SPECIFIED: 0 PLC ±- 1 PLC ±- 2 PLC ±.010 3 PLC ±.005 4 PLC ±- ANGLES ±- FINISH -	PRODUCT SPEC - APPLICATION SPEC - WEIGHT -	NAME 6 PIN PLUG ASSY WITH FLANGE LGH SIZE A2 CAGE CODE 00779 DRAWING NO C-864523
MATERIAL -			SCALE 4:1 SHEET 1 OF 1 REV E
CUSTOMER DRAWING			