

Distributed by:

JAMECO[®]
ELECTRONICS

www.Jameco.com ♦ 1-800-831-4242

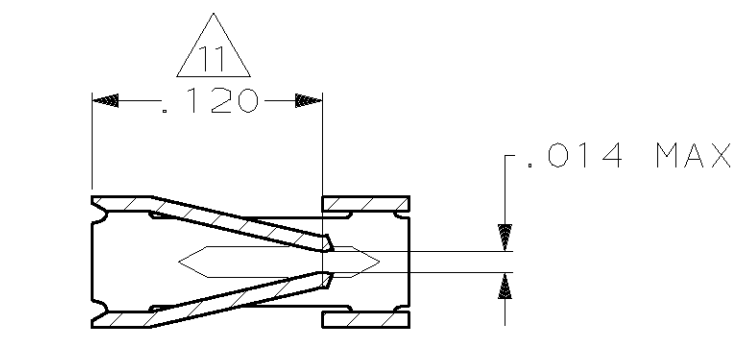
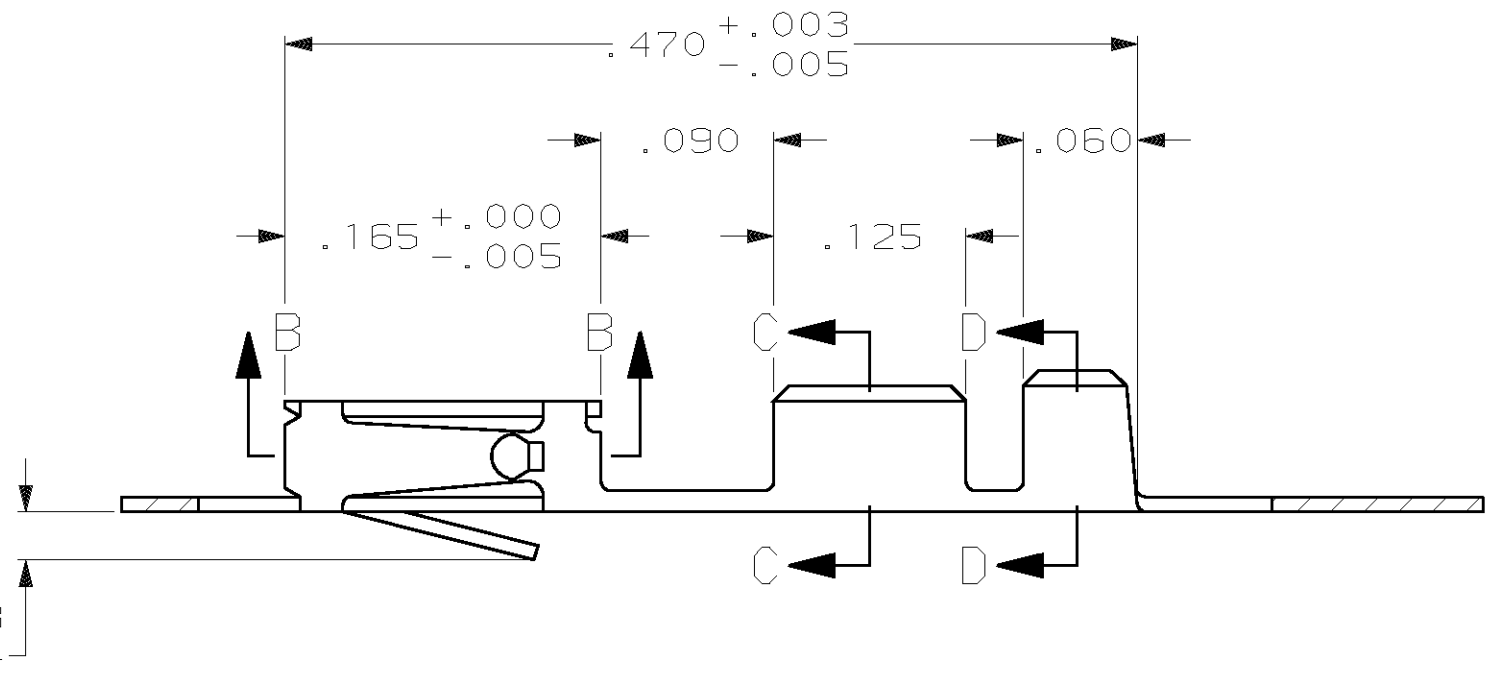
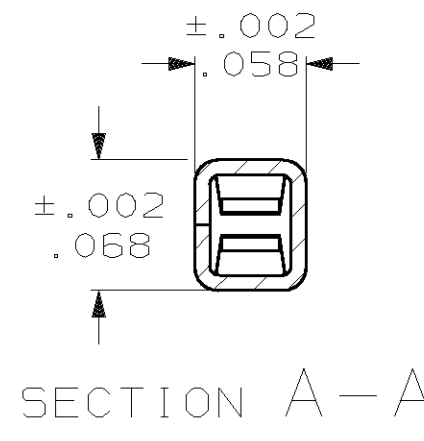
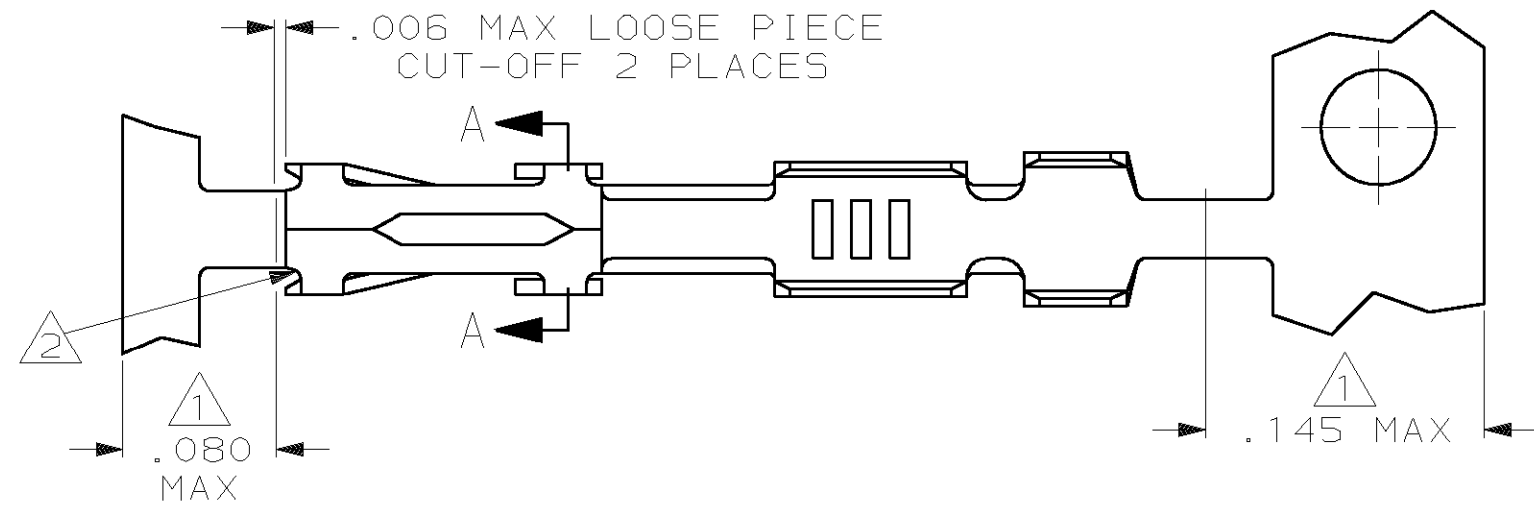
The content and copyrights of the attached
material are the property of its owner.

Jameco Part Number 1405835

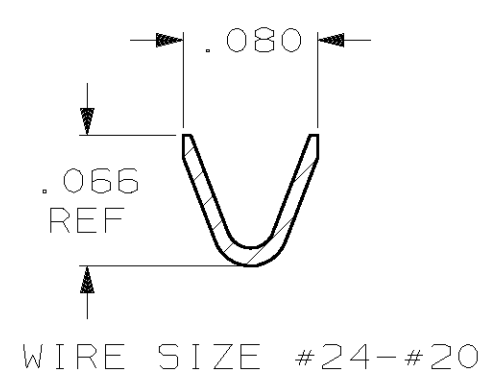
THIS DRAWING IS UNPUBLISHED. RELEASED FOR PUBLICATION
 © COPYRIGHT 19 BY AMP INCORPORATED, HARRISBURG, PA. ALL INTERNATIONAL RIGHTS RESERVED. AMP PRODUCTS MAY BE COVERED BY U.S. AND FOREIGN PATENTS AND/OR PATENTS PENDING.

LOC AD DIST 39

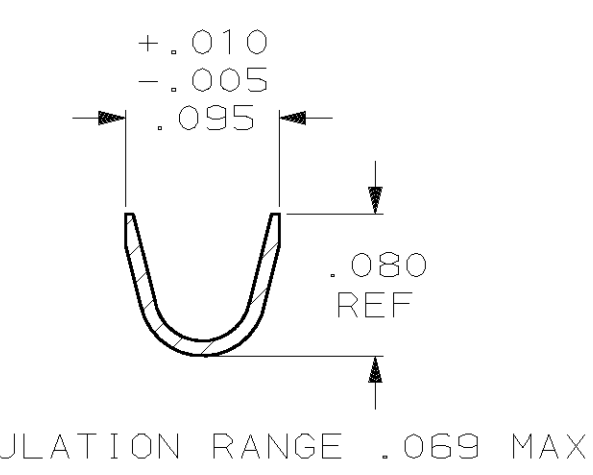
REVISIONS					
ZONE	LTR	DESCRIPTION	DATE	APPROVED	
T		REVISED AND REDRAWN ECN 893	-		
U		REVISED ECN 950	LM 2-7-86	JLG	
U1		REVISED ECN 1041	HM 5-1-86	JLG	
U2		REVISED ECN 1041	7-7-86	-	
U3		OBSOLETE ECN 1821	LDR 2-22-88		
V		REV ECN AR2029 AR2120	DK 9-27-88		
W		REV LOC & DIST AD-4171	3-90	BF	
Y		SUPSD PER 0010-1000-93	1-94	PS	
Z		OBS -16 PER 0010-1863-93	1-94	PS	
AA		OBS -21 PER 0010-0591-96	31DEC96	JH	
AB		OBS -21 PER 0310-0169-96	31DEC96	JH	
AC		REV PER 0310-0030-98	07/30/98	ECC	
AD		REV PER 063C-0266-00	23JUN00	DS	



SECTION B-B



SECTION C-C



SECTION D-D SUPERSEDED BY 85969-4

- ① GOLD PLATING IS NOT REQUIRED IN THIS AREA.
- ② CUT-OUTS ON THE BOX ARE AT MANUFACTURERS OPTION.
- ③ THIS TERMINAL IS REELED FOR THE STANDARD APPLICATOR.
- ④ THIS TERMINAL IS REELED FOR THE MINI APPLICATOR.
- ⑤ .000030 GOLD OVER .000050 NICKEL.
- ⑥ .000030 GOLD ON THE CONTACT AREA, GOLD FLASH ON THE REMAINDER ALL OVER .000050 NICKEL.
- ⑦ PREPLATED: (HALT).000078-.000158 BRIGHT TIN
- ⑧ .000050 GOLD OVER .000050 NICKEL.
- ⑨ .000015 GOLD ON THE CONTACT AREA, GOLD FLASH ON THE REMAINDER ALL OVER .000050 NICKEL.
- ⑩ .000050 GOLD ON THE CONTACT AREA, GOLD FLASH ON THE REMAINDER ALL OVER .000050 NICKEL.
- ⑪ POINT OF MEASUREMENT FOR PLATING THICKNESS (INSIDE BEAMS).
- ⑫ .000015 GOLD IN CONTACT AREA, .000050 NICKEL ON ENTIRE TERMINAL
- ⑬ OBSOLETE PART NUMBER.

④	⑫	⑬ -7	2-⑬ -0
③	⑫	⑬ -7	1-85969-9
③	⑩	⑬ -6	1-⑬ -8
④	⑩	⑬ -6	1-⑬ -7
④	⑧	86016-4	1-85969-0
④	⑦	86016-3	85969-9
④	⑥	86016-2	85969-8
④	⑤	86016-1	85969-7
④	⑨	86016-5	85969-6
③	⑨	86016-5	⑬ -5
③	⑧	86016-4	85969-4
③	⑦	86016-3	⑬ -3
③	⑥	86016-2	85969-2
③	⑤	86016-1	85969-1

REMARKS	FINISH	LOOSE PIECE PART NUMBER	PART NUMBER

UNLESS OTHERWISE SPECIFIED DIMENSIONS ARE IN INCHES TOLERANCES ON:	DR 12-10-85 L.D.RINGLEY
2 PL DEC ±-	CHK 12-16-85 J.L.GESFORD
3 PL DEC ± .005	APPD 12-16-85 J.L.GESFORD
ANGLES ±-	APPD 12-16-85 CLIFFORD LINDGREN
MATERIAL:	PRODUCT SPEC 108-25,020
BERYLLIUM COPPER, .008 THICK	APPLICATION SPEC 114-25,003
FINISH:	WEIGHT -
SEE TABLE	

AMP AMP INCORPORATED Harrisburg, Pa. 17105

NAME		
CONTACT, MOD IV, RECEPTACLE, CRIMP SNAP-IN		
SIZE	F5CM NO	DRAWING NO
C	00779	85969
SCALE	NTS	SHEET 1 - 1