

4

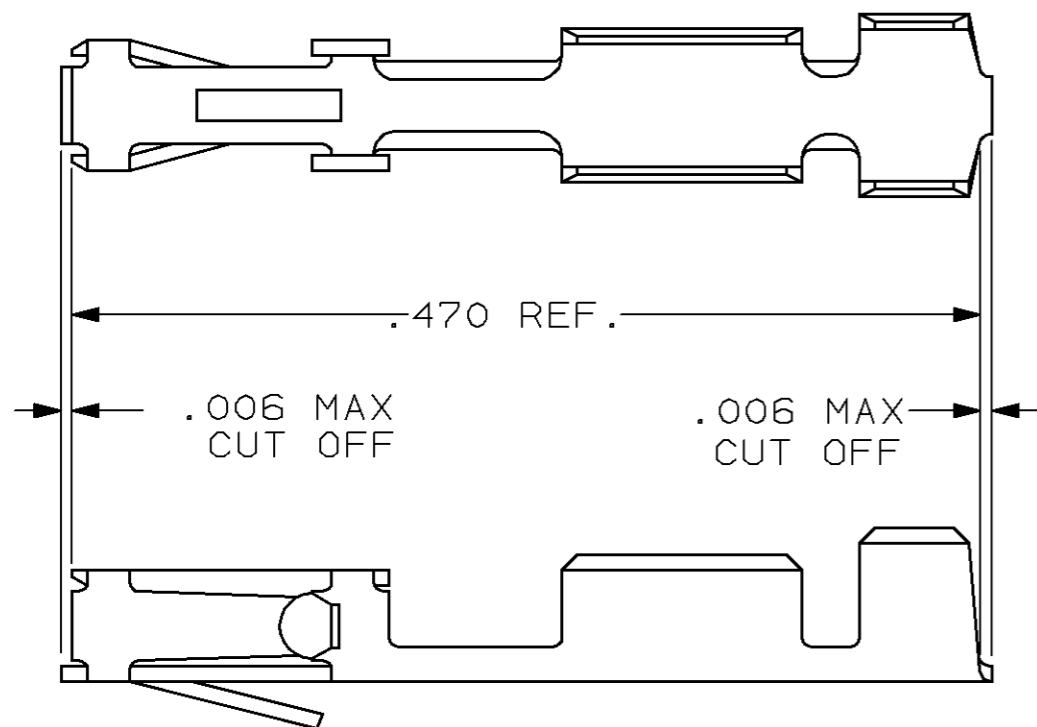
3

2

1

THIS DRAWING IS UNPUBLISHED. RELEASED FOR PUBLICATION, 19 .
© COPYRIGHT 19 BY AMP INCORPORATED. ALL RIGHTS RESERVED.

LOC	DIST	REVISIONS			
P	LTR	DESCRIPTION	DATE	DWN	APVD
AD	00	B	REV PER EC NO. 0310-0030-98	7/30/98	ECC -



1. WIRE RANGE: #20-#24
2. INSULATION RANGE: .069 MAX. DIA.
3. FOR SECTIONS AND ADDITIONAL DIMENSIONS SEE AMP CUSTOMER DRAWING#85969

OBSOLETE	86016-6	GOLD FLASH OVER .000050 NICKEL ENTIRE CONTACT, .000050 GOLD IN CONTACT AREA
	86016-5	GOLD FLASH OVER .000050 NICKEL ENTIRE CONTACT, .000015 GOLD IN CONTACT AREA
	86016-4	.000050 GOLD OVER .000050 NICKEL
	86016-3	PREPLATED: (HALT) .000078-.000158 BRIGHT TIN
	86016-2	GOLD FLASH OVER .000050 NICKEL ENTIRE CONTACT, .000030 GOLD IN CONTACT AREA
	86016-1	.000030 GOLD OVER .000050 NICKEL
	PART #	FINISH

DIMENSIONS: IN		TOLERANCES UNLESS OTHERWISE SPECIFIED:		E.C. CLAYBAUGH CHK -		AMP	
		0 PLC	±-	APVD	-	NAME RECEPTACLE CONTACT, MOD IV CRIMP SNAP-IN LOOSE PIECE	
		1 PLC	±-	PRODUCT SPEC	-		
		2 PLC	±-	APPLICATION SPEC	-		
		3 PLC	±-		-		
MATERIAL BERYLLIUM COPPER		4 PLC	±-	WEIGHT	-	SIZE A3 00779	DRAWING NO C- 86016
		ANGLES	±-	CUSTOMER DRAWING		RESTRICTED TO -	
		FINISH	-	SCALE 10:1		SHEET 1 OF 1	REV B