

Distributed by:

JAMECO[®]
ELECTRONICS

www.Jameco.com ♦ 1-800-831-4242

The content and copyrights of the attached
material are the property of its owner.

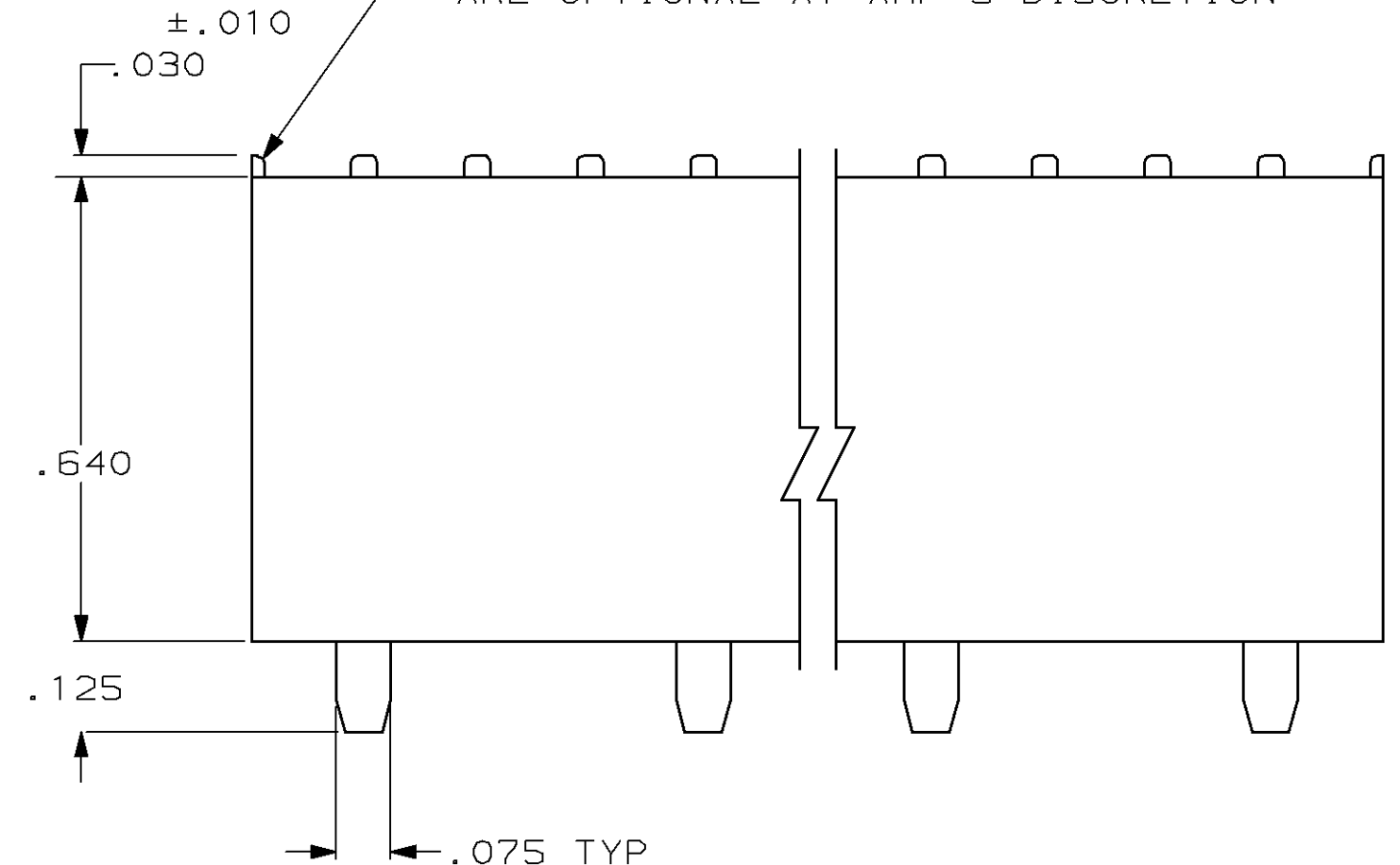
Jameco Part Number 759640

THIS DRAWING IS UNPUBLISHED. RELEASED FOR PUBLICATION ,19 .
 © COPYRIGHT 19 BY AMP INCORPORATED. ALL INTERNATIONAL RIGHTS RESERVED.

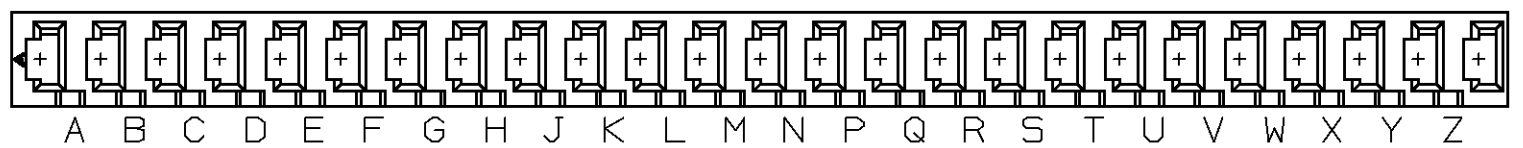
LOC	DIST	P	F	ZONE	LTR	DESCRIPTION	DATE	APPD
AD	39	✓	✓		D1	REV-REDRAWN PER ECN AR 1713	12-1-87	-
					E	REV PER AR-1861	3/21/88	SAS
					F	REV LOC & DIST AD-4171	3-90	BF
					G	REV PER 0010-0700-93	8-7-93	SAS
					H	REV PER 0010-1103-93	3-16-94	SAS
					J	REV PER 0010-0662-94	10-94	JH
					K	REV PER 0310-0444-97	19NOV97	JH

LUG LOCATES THAT SIDE OF CAVITY WHICH CONTAINS THE CONTACT LOCKING LEDGE

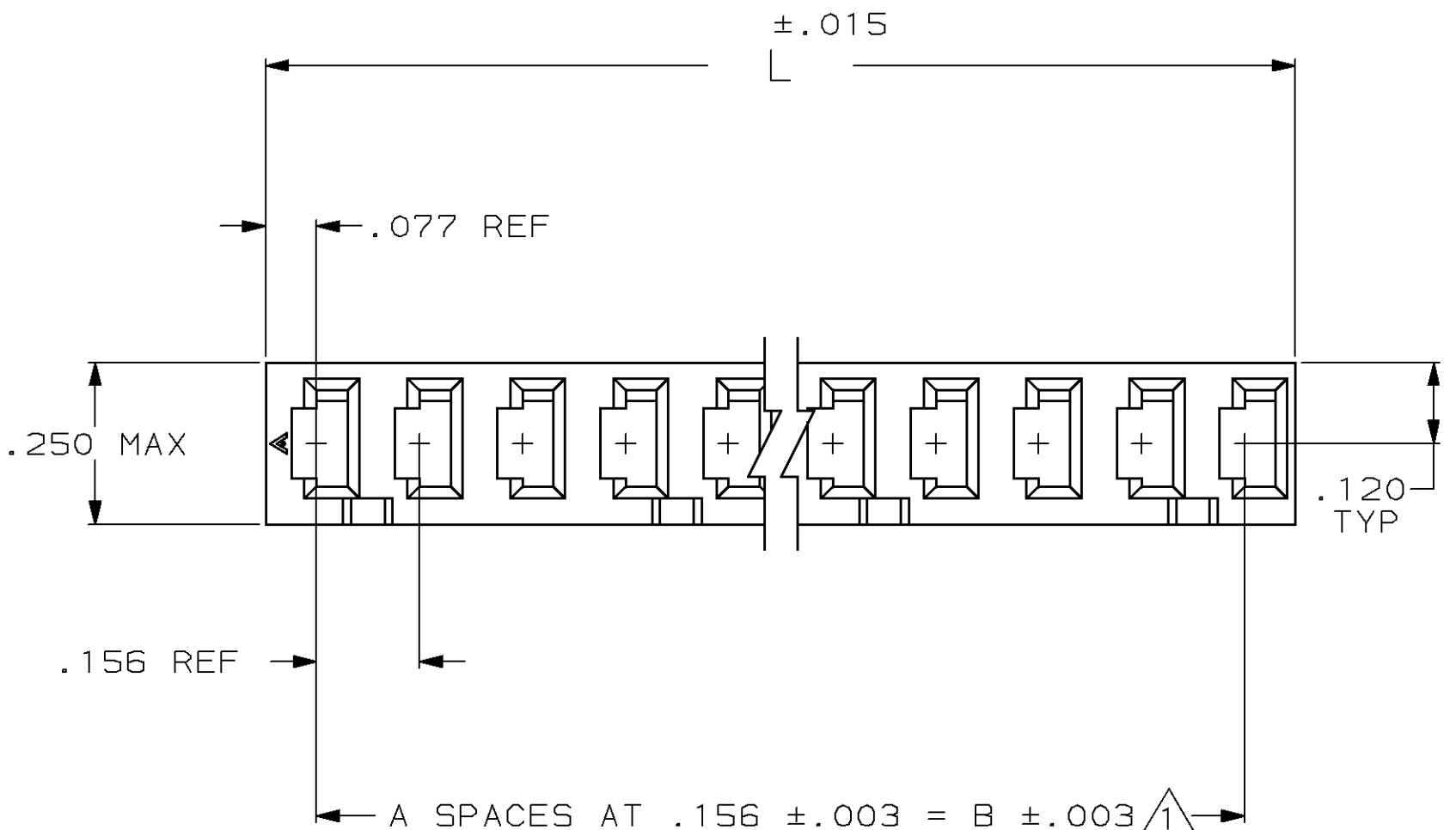
IDENTIFIERS ON ENDS OF HOUSING ARE OPTIONAL AT AMP'S DISCRETION



.040 REF



KEY LOCATIONS (REF ONLY)



	A, C, E, H, K, M, Q, S, U, W, Y	3.900	3.744	24	11	25	2-87159-4
OBSOLETE	A, C, E, G, J, L, N, Q, S, U, W, Y	3.744	3.588	23	12	24	2- -3
OBSOLETE	A, D, G, K, N, R, U, X	3.588	3.432	22	8	23	2- -2
OBSOLETE	A, C, E, G, J, L, N, Q, S, U, W	3.432	3.276	21	11	22	2- -1
OBSOLETE	A, D, G, K, N, R, U	3.276	3.120	20	7	21	2- -0
	A, C, E, G, J, L, N, Q, S, U	3.120	2.964	19	10	20	1- -9
	B, D, F, J, L, N, Q, S	2.964	2.808	18	8	19	1- -8
	A, D, F, J, P, S	2.808	2.652	17	6	18	1- -7
	A, D, G, K, N, R	2.652	2.496	16	6	17	1- -6
	A, C, E, G, J, L, N, Q	2.496	2.340	15	8	16	1- -5
	A, D, G, K, N	2.340	2.184	14	5	15	1- -4
	A, C, E, G, J, L, N	2.184	2.028	13	7	14	1- -3
	A, C, E, G, J, L	1.872	1.716	11	6	12	1- -2
	A, D, G, K	1.716	1.560	10	4	11	1- -1
	A, C, E, G, J	1.560	1.404	9	5	10	1- -0
	A, D, G	1.404	1.248	8	3	9	-9
	A, C, E, G	1.248	1.092	7	4	8	-8
	A, C, E	1.092	.936	6	3	7	-7
	A, C, E	.936	.780	5	3	6	-6
	A, C	.624	.468	3	2	4	-5
	A	.468	.312	2	1	3	-4
	A	.312	.156	1	1	2	-3
	A, D, J, M,	2.028	1.872	12	4	13	-2
	A, D	.780	.624	4	2	5	87159-1
	KEY LOCATIONS	L	B	A	NO OF KEYS	NO OF POS	PART NO

△ TOLERANCE NON CUMULATIVE

DO NOT SCALE PRINT. UNLESS SPECIFIED DIMENSIONS IN INCHES TOLERANCES ON : 2 PLC DEC ± - 3 PLC DEC ± .005 ANGLES ± -	DR 8-7-93 S. SHUEY	AMP INCORPORATED Harrisburg, Pa. 17105
MATERIAL FLAME RETARDANT THERMOPLASTIC COLOR-BLACK	CHK 8-7-93 S. SHUEY	
FINISH -	APPD 8-7-93 S. SHUEY	NAME HOUSING, MOD I, .156 Ø SINGLE ROW, CRIMP SNAP IN, KEYED
	APPD 8-7-93 S. SHUEY	SIZE C 00779
	PRODUCT SPEC 108-25016	DRAWING NO 87159
	APPLICATION SPEC 114-25000	SCALE 4:1
	WEIGHT -	SHEET 1 OF 1