

Distributed by:

JAMECO[®]
ELECTRONICS

www.Jameco.com ♦ 1-800-831-4242

The content and copyrights of the attached
material are the property of its owner.


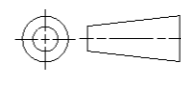
Jameco Part Number 987642

THIS DRAWING IS UNPUBLISHED. RELEASED FOR PUBLICATION .19
 (C) COPYRIGHT 19 BY AMP INCORPORATED. ALL RIGHTS RESERVED.

LOC	DIST	REVISIONS					
AD	39	P	LTR	DESCRIPTION	DATE	DWN	APVD
		U		REV PER 063C-0200-04	180CT04	RB	DS

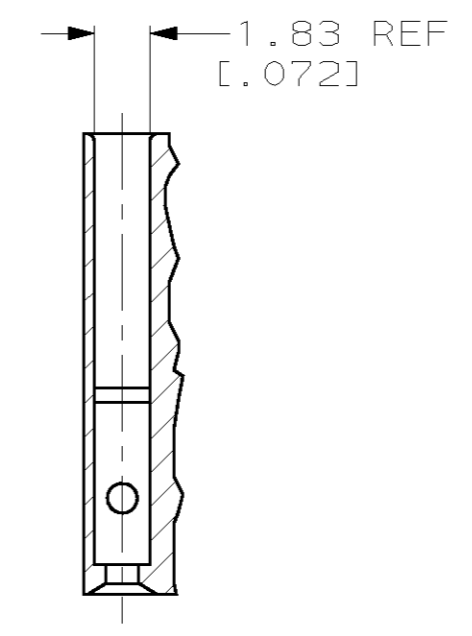
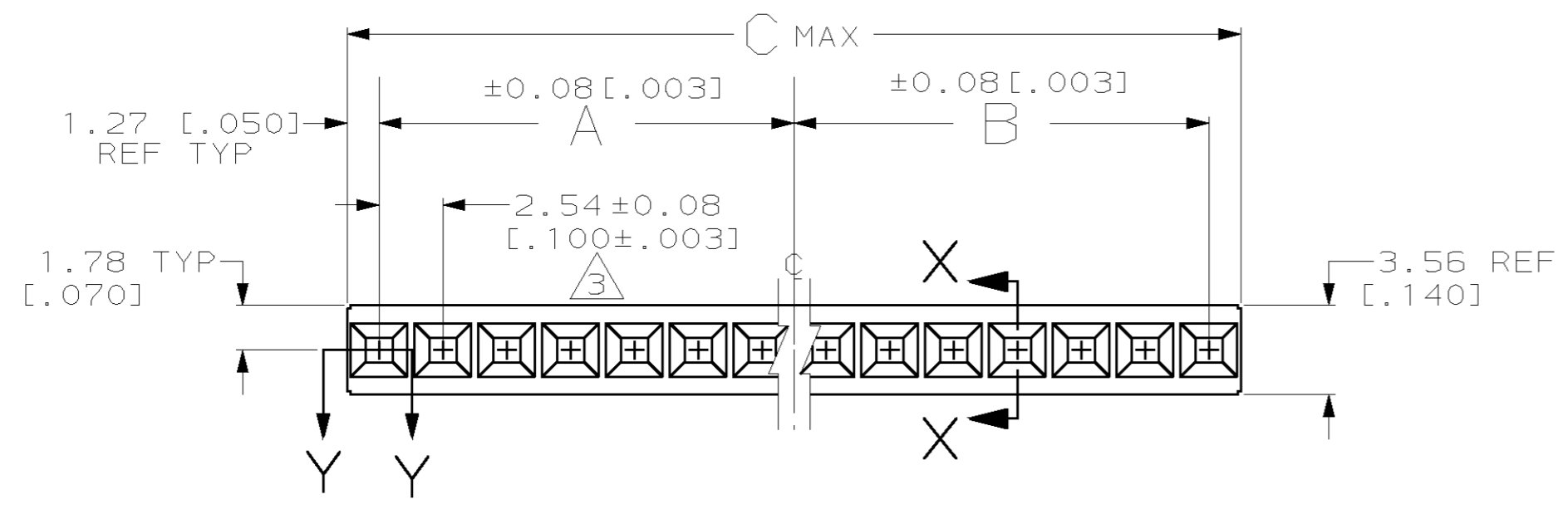
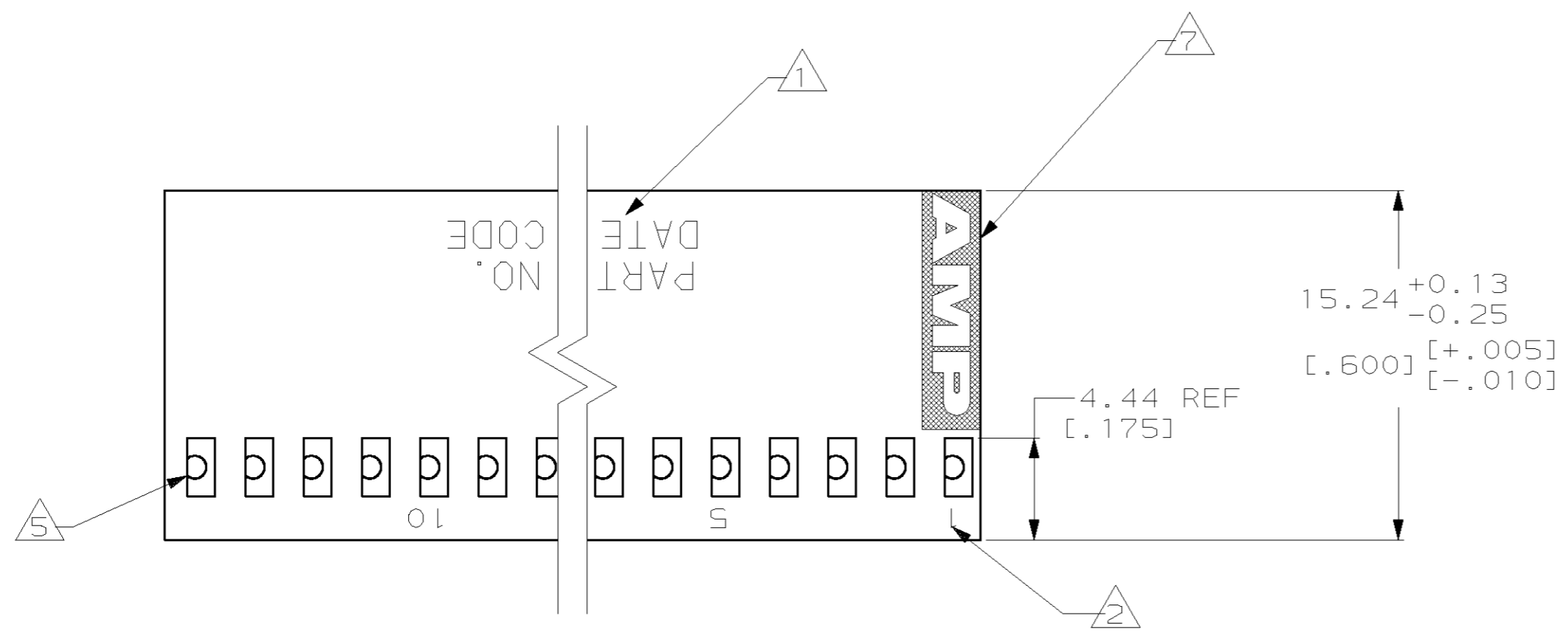
△	-	45.85 [1.805]	20.32 [.800]	22.86 [.900]	18	8-87499-9
△	-	43.31 [1.705]	20.32 [.800]	20.32 [.800]	17	8-87499-8
△	-	40.77 [1.605]	17.78 [.700]	20.32 [.800]	16	8-87499-7
△	-	38.23 [1.505]	17.78 [.700]	17.78 [.700]	15	8-87499-6
△	-	35.69 [1.405]	15.24 [.600]	17.78 [.700]	14	8-87499-5
△	-	33.15 [1.305]	15.24 [.600]	15.24 [.600]	13	8-87499-4
△	-	30.61 [1.205]	12.70 [.500]	15.24 [.600]	12	8-87499-3
△	-	28.07 [1.105]	12.70 [.500]	12.70 [.500]	11	8-87499-2
△	-	25.53 [1.005]	10.16 [.400]	12.70 [.500]	10	8-87499-1
△	-	22.99 [.905]	10.16 [.400]	10.16 [.400]	9	8-87499-0
△	-	20.45 [.805]	7.62 [.300]	10.16 [.400]	8	7-87499-9
△	-	17.91 [.705]	7.62 [.300]	7.62 [.300]	7	7-87499-8
△	-	15.37 [.605]	5.08 [.200]	7.62 [.300]	6	7-87499-7
△	-	12.83 [.505]	5.08 [.200]	5.08 [.200]	5	7-87499-6
△	-	10.29 [.405]	2.54 [.100]	5.08 [.200]	4	7-87499-5
△	-	7.75 [.305]	2.54 [.100]	2.54 [.100]	3	7-87499-4
△	-	5.21 [.205]	-	2.54 [.100]	2	7-87499-3
-	-	2.67 [.105]	-	-	1	7-87499-2
SUPERSEDED BY 7-87499-2	-	ALL	2.67 [.105]	-	1	7-87499-1
-	-	-	91.57 [3.605]	43.18 [1.700]	36	7-87499-0
OBSOLETE	-	ALL	91.57 [3.605]	43.18 [1.700]	36	6-87499-9
-	-	-	89.03 [3.505]	43.18 [1.700]	35	6-87499-8
OBSOLETE	-	ALL	89.03 [3.505]	43.18 [1.700]	35	6-87499-7
-	-	-	86.49 [3.405]	40.64 [1.600]	34	6-87499-6
OBSOLETE	-	ALL	86.49 [3.405]	40.64 [1.600]	34	6-87499-5
-	-	-	83.95 [3.305]	40.64 [1.600]	33	6-87499-4
OBSOLETE	-	ALL	83.95 [3.305]	40.64 [1.600]	33	6-87499-3
-	-	-	81.41 [3.205]	38.10 [1.500]	32	6-87499-2
OBSOLETE	-	ALL	81.41 [3.205]	38.10 [1.500]	32	6-87499-1
-	-	-	78.87 [3.105]	38.10 [1.500]	31	6-87499-0
OBSOLETE	-	ALL	78.87 [3.105]	38.10 [1.500]	31	5-87499-9
-	-	-	76.33 [3.005]	35.56 [1.400]	30	5-87499-8
OBSOLETE	-	ALL	76.33 [3.005]	35.56 [1.400]	30	5-87499-7
-	-	-	73.79 [2.905]	35.56 [1.400]	29	5-87499-6
OBSOLETE	-	ALL	73.79 [2.905]	35.56 [1.400]	29	5-87499-5
-	-	-	71.25 [2.805]	33.02 [1.300]	28	5-87499-4
OBSOLETE	-	ALL	71.25 [2.805]	33.02 [1.300]	28	5-87499-3
-	-	-	68.71 [2.705]	33.02 [1.300]	27	5-87499-2
OBSOLETE	-	ALL	68.71 [2.705]	33.02 [1.300]	27	5-87499-1
-	-	-	66.17 [2.605]	30.48 [1.200]	26	5-87499-0
OBSOLETE	-	ALL	66.17 [2.605]	30.48 [1.200]	26	4-87499-9
-	-	-	63.63 [2.505]	30.48 [1.200]	25	4-87499-8
NOTES	MARKING	C	B	A	NO OF POSN	PART NUMBER

OBSOLETE	ALL	63.63 [2.505]	30.48 [1.200]	30.48 [1.200]	25	4-87499-7
-	-	61.09 [2.405]	27.94 [1.100]	30.48 [1.200]	24	4-87499-6
OBSOLETE	ALL	61.09 [2.405]	27.94 [1.100]	30.48 [1.200]	24	4-87499-5
-	-	58.55 [2.305]	27.94 [1.100]	27.94 [1.100]	23	4-87499-4
OBSOLETE	ALL	58.55 [2.305]	27.94 [1.100]	27.94 [1.100]	23	4-87499-3
-	-	56.01 [2.205]	25.40 [1.000]	27.94 [1.100]	22	4-87499-2
SUPERSEDED BY 4-87499-2	ALL	56.01 [2.205]	25.40 [1.000]	27.94 [1.100]	22	4-87499-1
-	-	53.47 [2.105]	25.40 [1.000]	25.40 [1.000]	21	4-87499-0
OBSOLETE	ALL	53.47 [2.105]	25.40 [1.000]	25.40 [1.000]	21	3-87499-9
-	-	50.93 [2.005]	22.86 [.900]	25.40 [1.000]	20	3-87499-8
-	ALL	50.93 [2.005]	22.86 [.900]	25.40 [1.000]	20	3-87499-7
-	-	48.39 [1.905]	22.86 [.900]	22.86 [.900]	19	3-87499-6
OBSOLETE	ALL	48.39 [1.905]	22.86 [.900]	22.86 [.900]	19	3-87499-5
-	-	45.85 [1.805]	20.32 [.800]	22.86 [.900]	18	3-87499-4
SUPERSEDED BY 3-87499-4	ALL	45.85 [1.805]	20.32 [.800]	22.86 [.900]	18	3-87499-3
-	-	43.31 [1.705]	20.32 [.800]	20.32 [.800]	17	3-87499-2
OBSOLETE	ALL	43.31 [1.705]	20.32 [.800]	20.32 [.800]	17	3-87499-1
-	-	40.77 [1.605]	17.78 [.700]	20.32 [.800]	16	3-87499-0
-	ALL	40.77 [1.605]	17.78 [.700]	20.32 [.800]	16	2-87499-9
-	-	38.23 [1.505]	17.78 [.700]	17.78 [.700]	15	2-87499-8
-	ALL	38.23 [1.505]	17.78 [.700]	17.78 [.700]	15	2-87499-7
-	-	35.69 [1.405]	15.24 [.600]	17.78 [.700]	14	2-87499-6
-	ALL	35.69 [1.405]	15.24 [.600]	17.78 [.700]	14	2-87499-5
-	-	33.15 [1.305]	15.24 [.600]	15.24 [.600]	13	2-87499-4
-	ALL	33.15 [1.305]	15.24 [.600]	15.24 [.600]	13	2-87499-3
-	-	30.61 [1.205]	12.70 [.500]	15.24 [.600]	12	2-87499-2
-	ALL	30.61 [1.205]	12.70 [.500]	15.24 [.600]	12	2-87499-1
-	-	28.07 [1.105]	12.70 [.500]	12.70 [.500]	11	2-87499-0
-	ALL	28.07 [1.105]	12.70 [.500]	12.70 [.500]	11	1-87499-9
-	-	25.53 [1.005]	10.16 [.400]	12.70 [.500]	10	1-87499-8
-	ALL	25.53 [1.005]	10.16 [.400]	12.70 [.500]	10	1-87499-7
-	-	22.99 [.905]	10.16 [.400]	10.16 [.400]	9	1-87499-6
-	ALL	22.99 [.905]	10.16 [.400]	10.16 [.400]	9	1-87499-5
-	-	20.45 [.805]	7.62 [.300]	10.16 [.400]	8	1-87499-4
-	ALL	20.45 [.805]	7.62 [.300]	10.16 [.400]	8	1-87499-3
-	-	15.37 [.605]	5.08 [.200]	7.62 [.300]	6	1-87499-2
-	ALL	15.37 [.605]	5.08 [.200]	7.62 [.300]	6	1-87499-1
-	-	12.83 [.505]	5.08 [.200]	5.08 [.200]	5	1-87499-0
-	ALL	12.83 [.505]	5.08 [.200]	5.08 [.200]	5	87499-9
-	-	10.29 [.405]	2.54 [.100]	5.08 [.200]	4	87499-8
-	ALL	10.29 [.405]	2.54 [.100]	5.08 [.200]	4	87499-7
-	-	7.75 [.305]	2.54 [.100]	2.54 [.100]	3	87499-6
-	ALL	7.75 [.305]	2.54 [.100]	2.54 [.100]	3	87499-5
-	-	5.21 [.205]	-	2.54 [.100]	2	87499-4
-	ALL	5.21 [.205]	-	2.54 [.100]	2	87499-3
-	-	17.91 [.705]	7.62 [.300]	7.62 [.300]	7	87499-2
-	ALL	17.91 [.705]	7.62 [.300]	7.62 [.300]	7	87499-1
MARKING	C	B	A	NO OF POSN	PART NUMBER	

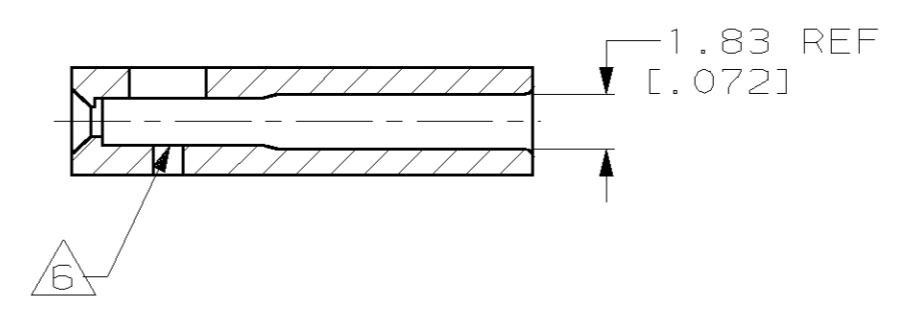
THIS DRAWING IS A CONTROLLED DOCUMENT FOR AMP INCORPORATED. IT IS SUBJECT TO CHANGE AND THE CONTROLLING ENGINEERING ORGANIZATION SHOULD BE CONTACTED FOR THE LATEST REVISION.		DWN E. BRANDBERG 21-JUN-95	 AMP Incorporated Harrisburg, PA 17105-3608
DIMENSIONS: mm [INCH]		CHK S. SHUEY 21-JUN-95	
		APVD D. DUPLER 21-JUN-95	
TOLERANCES UNLESS OTHERWISE SPECIFIED: 0 PLC ± 1 PLC ± 2 PLC ±0.13(.005) 3 PLC ± 4 PLC ± ANGLES ± FINISH -		PRODUCT SPEC -	NAME HOUSING, MOD IV, SINGLE ROW, .100 CL, CRIMP SNAP-IN
MATERIAL FLAME RETARDANT THERMOPLASTIC PER ASTM D4066 COLOR - BLACK		APPLICATION SPEC -	SIZE A2
		WEIGHT -	CAGE CODE 00779
		CUSTOMER DRAWING	DRAWING NO C-87499
			SCALE 4:1
			SHEET 1 OF 2
			REV U

THIS DRAWING IS UNPUBLISHED. RELEASED FOR PUBLICATION .19 .
 (C) COPYRIGHT 19 BY AMP INCORPORATED. ALL RIGHTS RESERVED.

LOC	DIST	REVISIONS			
P	LTR	DESCRIPTION	DATE	DWN	APVD
AD	39	SEE SHEET 1	-	-	-



SECTION Y-Y



SECTION X-X

- ① PART NO & DATE CODE MARKED (WHITE), .062±.015 HIGH CHARS. IN APPROX. AREA SHOWN WHEN HOUSING SIZE PERMITS.
- ② CAVITY IDENTS. MARKED (WHITE), .046±.015 HIGH CHARS., FIRST & EVERY FIFTH CAVITY, ONE SIDE AS SHOWN.
- ③ TOLERANCE NON-CUMULATIVE.
- 4. USE EXTRACTION TOOL 91052-1 TO REMOVE RECEPTACLE CONTACTS.
- ⑤ OPTIONAL FOR SUBSIDIARY ONLY.
- ⑥ FLASH ALLOWED TO BE .015 IN THIS AREA.
- ⑦ AMP LOGO MOLDED IN TEXTURED AREA AS SHOWN.

<small>THIS DRAWING IS A CONTROLLED DOCUMENT FOR AMP INCORPORATED. IT IS SUBJECT TO CHANGE AND THE CONTROLLING ENGINEERING ORGANIZATION SHOULD BE CONTACTED FOR THE LATEST REVISION.</small>		DWN E. BRANDBERG 21-JUN-95 CHK S. SHUEY 21-JUN-95 APVD D. DUPLER 21-JUN-95	AMP AMP Incorporated Harrisburg, PA 17105-3608
DIMENSIONS: mm [INCH]	TOLERANCES UNLESS OTHERWISE SPECIFIED: 0 PLC ±- 1 PLC ±- 2 PLC ±0.13 [0.005] 3 PLC ±- 4 PLC ±- ANGLES ±- FINISH -	NAME PRODUCT SPEC APPLICATION SPEC WEIGHT	HOUSING, MOD IV, SINGLE ROW, .100 CL, CRIMP SNAP-IN SIZE A2 CAGE CODE 00779 DRAWING NO. C-87499 SCALE 4:1 SHEET 2 OF 2 REV U
MATERIAL FLAME RETARDANT THERMOPLASTIC COLOR - BLACK		CUSTOMER DRAWING	

87499