

Distributed by:

JAMECO[®]
ELECTRONICS

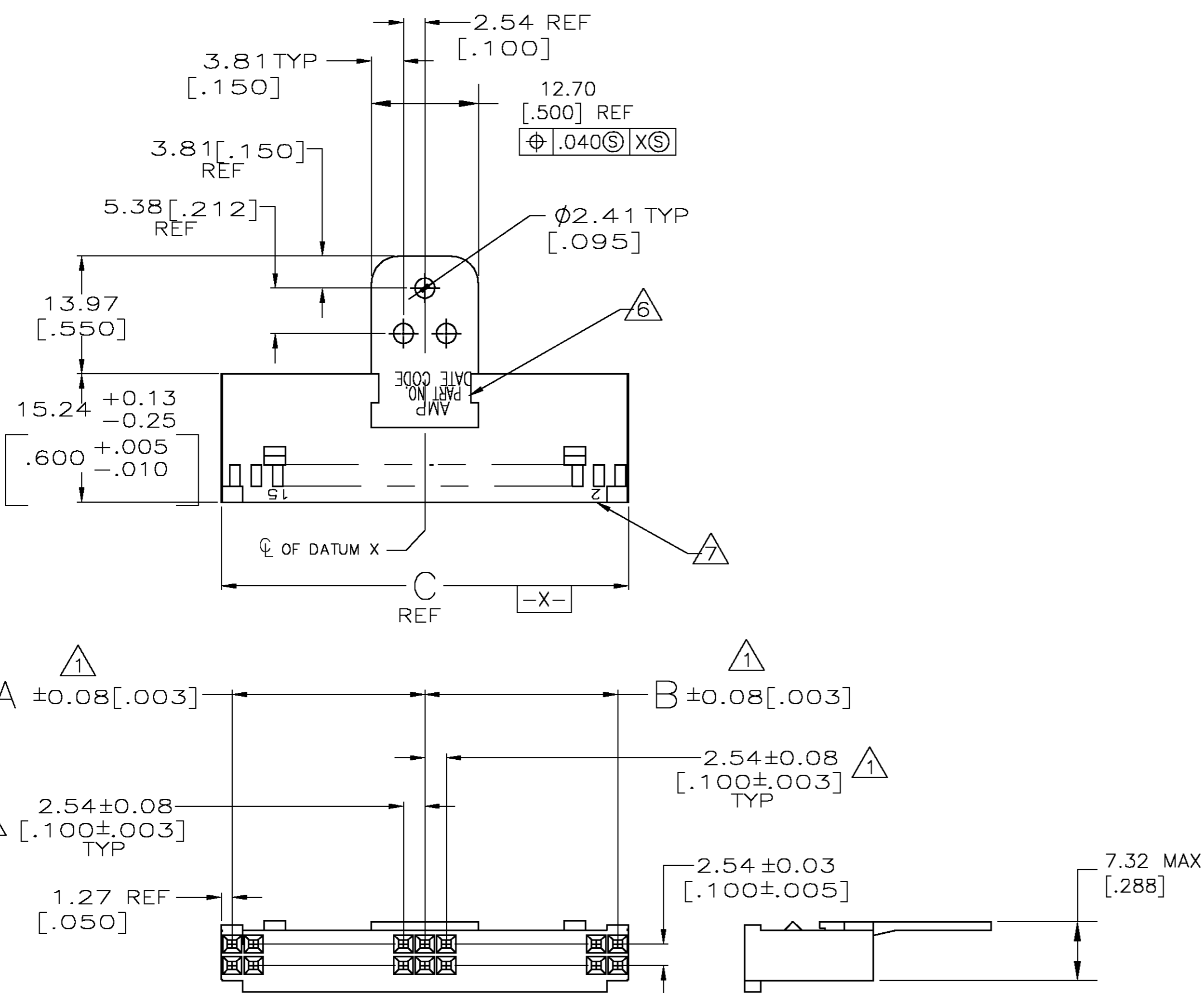
www.Jameco.com ♦ 1-800-831-4242

The content and copyrights of the attached
material are the property of its owner.

Jameco Part Number 988039

THIS DRAWING IS UNPUBLISHED. RELEASED FOR PUBLICATION
 © COPYRIGHT BY TYCO ELECTRONICS CORPORATION. ALL RIGHTS RESERVED.

LDC		DIST		REVISIONS			
P	LTR	DESCRIPTION	DATE	DWN	APVD		
AD	39	H	REV PER EC 0G3C-0202-05	03MAY05	MB	MM	



MARKING	C	B	A	NO OF POSN	PART NUMBER
NONE	22.86 [.900]	10.16 [.400]	10.16 [.400]	18	1-87922-0
NONE	20.32 [.800]	7.62 [.300]	10.16 [.400]	16	87922-9
NONE	17.78 [.700]	7.62 [.300]	7.62 [.300]	14	87922-8
NONE	15.24 [.600]	5.08 [.200]	7.62 [.300]	12	87922-7
NONE	12.70 [.500]	5.08 [.200]	5.08 [.200]	10	87922-6
ALL	22.86 [.900]	10.16 [.400]	10.16 [.400]	18	87922-5
ALL	20.32 [.800]	7.62 [.300]	10.16 [.400]	16	87922-4
ALL	17.78 [.700]	7.62 [.300]	7.62 [.300]	14	87922-3
ALL	15.24 [.600]	5.08 [.200]	7.62 [.300]	12	87922-2
ALL	12.70 [.500]	5.08 [.200]	5.08 [.200]	10	87922-1

- △ CAVITY LOCATION DIMENSIONS INCREASE IN INCREMENTS OF 2.54 [.100], TOLERANCE NON-CUMULATIVE.
- 2. USE EXTRACTION TOOL 91052-1 TO REMOVE RECEPTACLE CONTACTS.
- 3. THIS HOUSING IS COMPATIBLE WITH MOD II SHROUDED HEADERS.
- 4. HOUSING WILL ACCOMODATE ALL MOD IV, IV.V & MOD V CONTACTS 1.75 [.069] MAX INSULATION.
- △ OBSOLETE PART NUMBER.
- △ "AMP", PART NO., AND DATE CODE, MARKED (WHITE) AS SHOWN 1.58 ± 0.38 [.062 ± 0.15] HIGH CHARACTERS.
- △ 1.17 ± 0.38 [.046 ± 0.15] HIGH CHARACTERS MARKED (WHITE) SECOND AND EVERY FIFTH CAVITY AS SHOWN.

THIS DRAWING IS A CONTROLLED DOCUMENT.

DWN	E. BRANDBERG	6-10-94
CHK	P. SREMCICH	6-10-94
APVD	-	-
PRODUCT SPEC	-	
APPLICATION SPEC	-	
MATERIAL	-	
MOLDED PARTS:	-	

Tyco Electronics Corporation
 Harrisburg, Pa 17105-3608
 NAME: HOUSING ASSY, MOD IV
 DBL ROW, 2.54 [.100]
 W/ STRAIN RELIEF
 SIZE: A2 CAGE CODE: 00779 DRAWING NO: C=87922
 WEIGHT: -
 SCALE: 2:1 SHEET 1 OF 1 REV H
 CUSTOMER DRAWING