

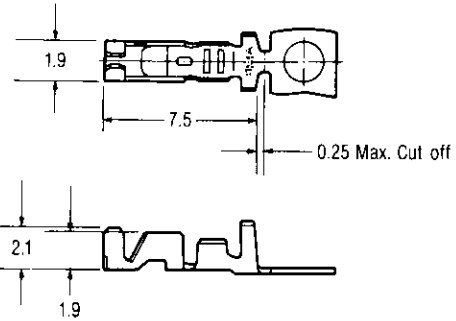
Wire to Board Connectors 2.5mm Metric Interconnect System

Receptacle Contact for Crimp Snap-in type

Part Number : 92007-1
(Strip Form)

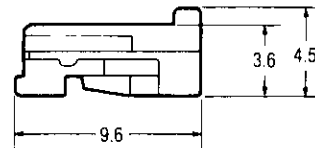
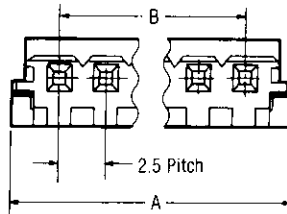
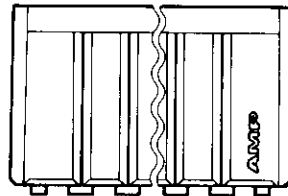
Material and Finish :
Pre-tin Phosphor bronze

Wire Size. Range : AWG#30-22
(0.05~0.35mm²)
Insulation Dia : 1.0~1.9mm



Receptacle Housing for Crimp Type

Material : UL94V-0 rated, 66
Nylon, natural



No. of Pos.	Dimensions		Part No. of Receptacle Housing
	A	B	
2	7.5	2.5	92009-2
3	10.0	5.0	92009-3
4	12.5	7.5	92009-4
5	15.0	10.0	92009-5
6	17.5	12.5	92009-6
7	20.0	15.0	92009-7
8	22.5	17.5	92009-8
9	25.0	20.0	92009-9
10	27.5	22.5	1-92009-0
11	30.0	25.0	1-92009-1
12	32.5	27.5	1-92009-2
13	35.0	30.0	1-92009-3
14	37.5	32.5	1-92009-4