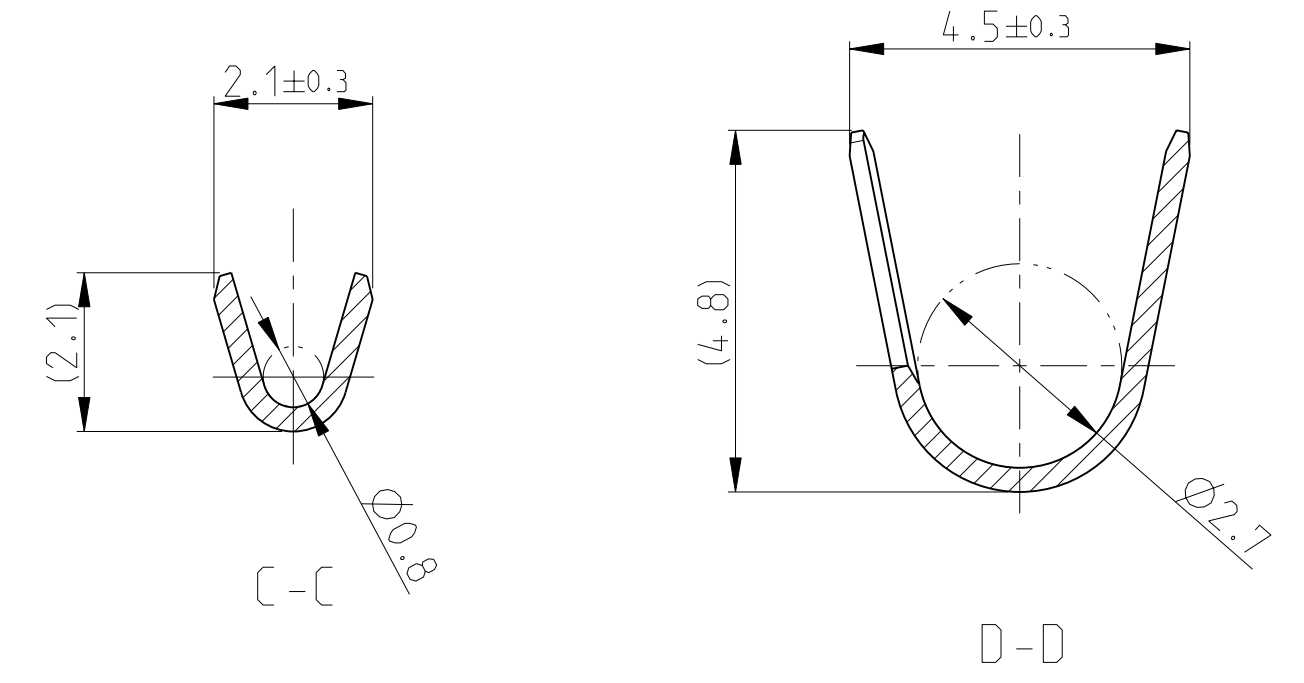
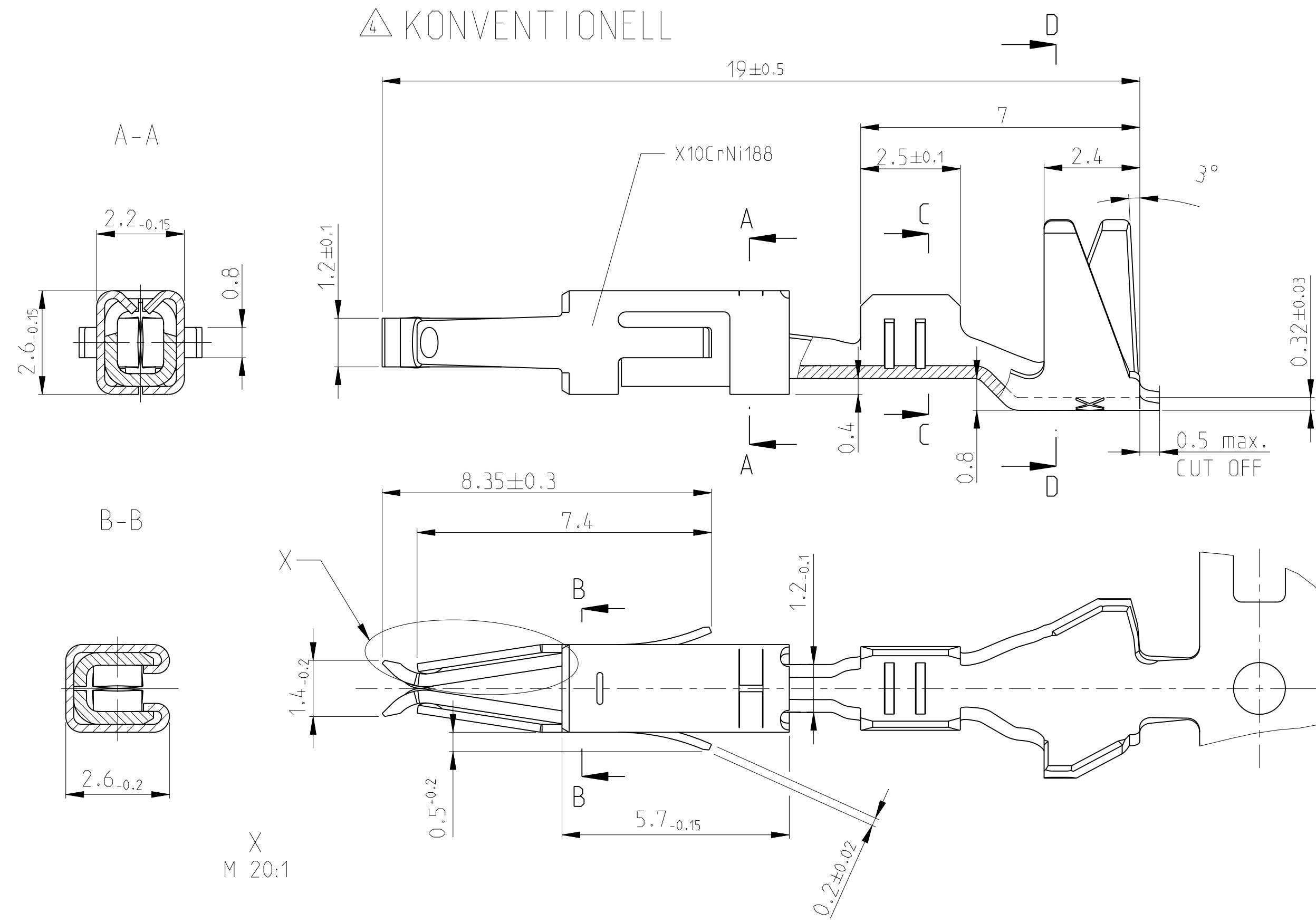


THIS DRAWING IS UNPUBLISHED. RELEASED FOR PUBLICATION 2008  
 © COPYRIGHT 2008 BY TYCO ELECTRONICS CORPORATION. ALL RIGHTS RESERVED.

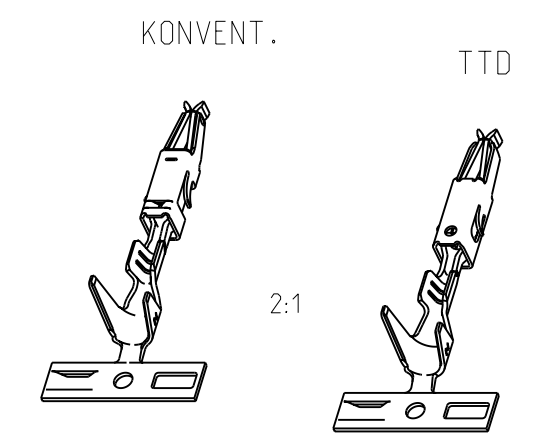
LOC	DIST	REVISIONS			
P	LTR	DESCRIPTION	DATE	DWN	APVD
A1	-	M1	Zeichnung ueberarbeitet	01.04.98	Bers
		M2	Spring Dimple modified	16.08.05	Kone
		N	OPTION FOR TTD VERSION ADDED	25-JUN-08	Abr Brun
		N1	DRAWING ADAPTED	06APR2009	Abr Brun

4 KONVENTIONELL

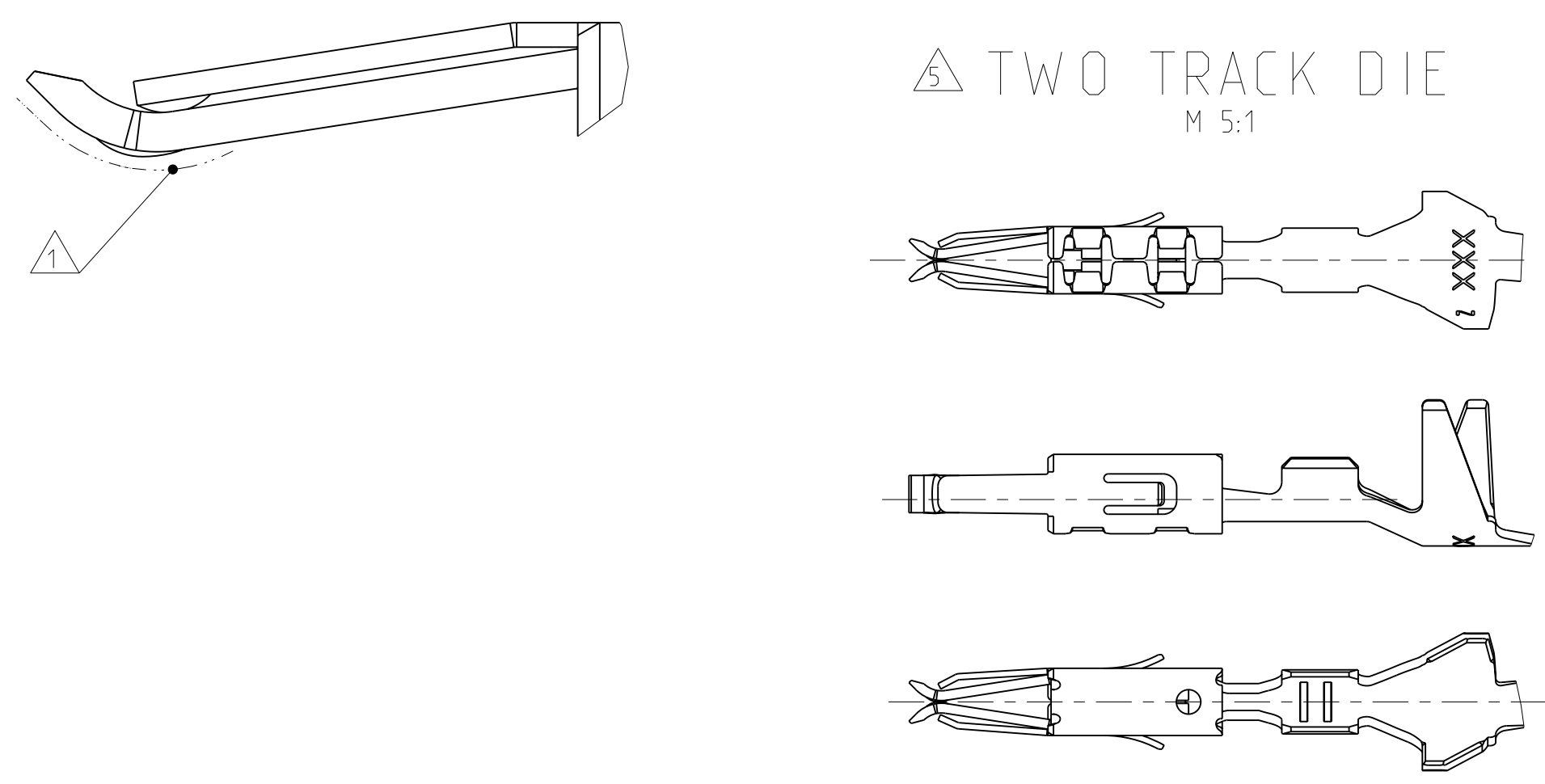


NOTES  
Bemerkungen

- 1 SELECTIVE GOLD PLATED MIN. 0.8 µm OVER NI  
selektiv vergoldet 0.8 µm ueber Ni
- 2 TIN PLATED MIN. 0.2 µm OVER NI  
verzinkt 0.2 µm ueber Ni
- 3 WIRE RANGE : 0.2 - 0.5 mm<sup>2</sup>  
INSULATION-Ø: 2.8 mm (SINGLE WIRE SEAL)  
Drahtgrossenbereich: 0.2 - 0.5 mm<sup>2</sup>  
Isolations-Ø: 2.8 mm (Einzeldichtung)



5 TWO TRACK DIE  
M 5:1



VERSION	LP NO	SURFACE / Oberflaeche	MATERIAL	PART NO	REV
4	963710-5	1 2	CuFe2	962875-5	N
4	963710-3	1 2	CuSn4	962875-3	N
5	963710-2	PRETIN / vorverzinkt	CuFe2	962875-2	N
5	963710-1	PRETIN / vorverzinkt	CuSn4	962875-1	N

THIS DRAWING IS A CONTROLLED DOCUMENT FOR TYCO ELECTRONICS CORPORATION IT IS SUBJECT TO CHANGE AND THE CONTROLLING ENGINEERING ORGANIZATION SHOULD BE CONTACTED FOR THE LATEST REVISION.

DIMENSIONS:	TOLERANCES UNLESS OTHERWISE SPECIFIED:	DWN R.Hofer 05-JAN-89	Tyco Electronics AMP GmbH 64625 Bensheim (Germany)	
mm	1 PLC ± 2 PLC ±0.2 3 PLC ± 4 PLC ± ANGLES ±2°	CHK L.Nix 05-APR-89	NAME	
		APVD M.Bleicher 25-JUN-08	MICRO TIMER 2 CONTACT WITH DOUBLE LOCKING LANCE mit doppelter Rastfeder	
MATERIAL	FINISH	PRODUCT SPEC 108-18386	SIZE A2	RESTRICTED TO
-	-	APPLICATION SPEC 114-18081	CAGE CODE 00779	-
		WEIGHT 0.3 g	DRAWING NO 962875	SCALE 10:1
		CUSTOMER DRAWING	SHEET 1 OF 1	REV N1