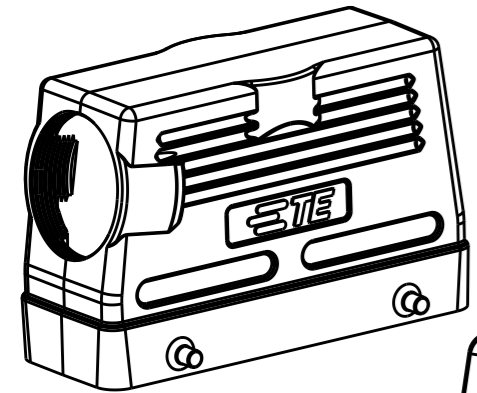
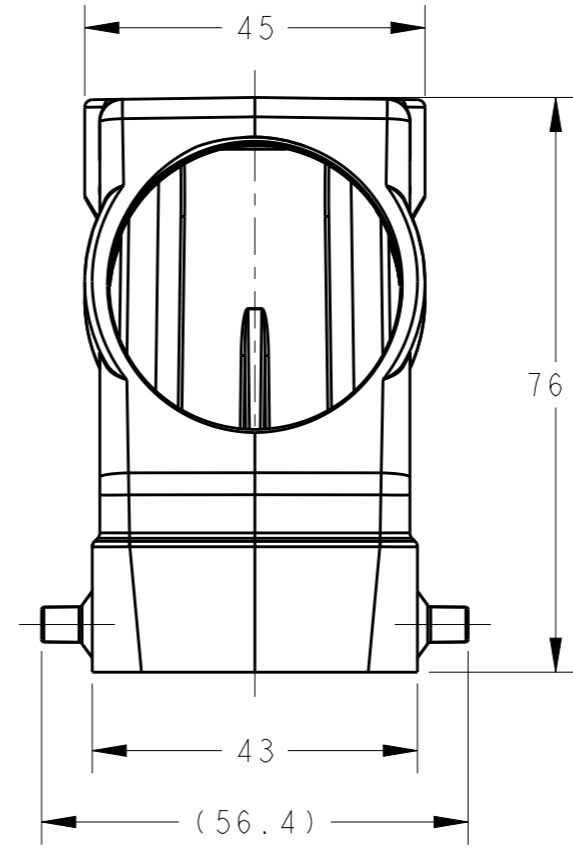
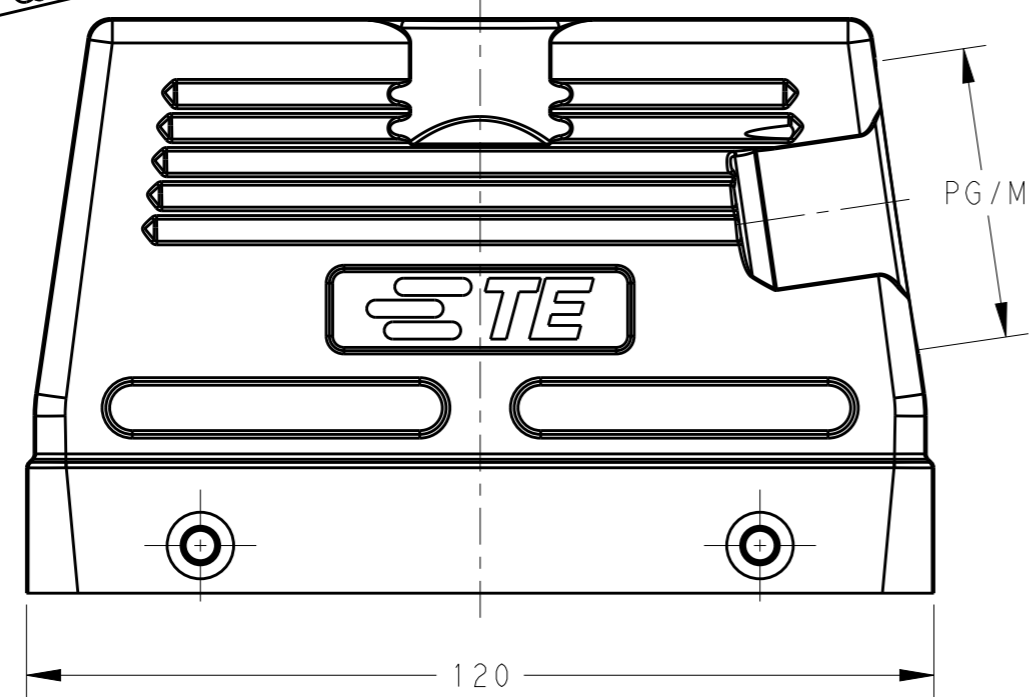


THIS DRAWING IS UNPUBLISHED. RELEASED FOR PUBLICATION 20
 © COPYRIGHT 20 BY - ALL RIGHTS RESERVED.

REVISIONS					
P	LTR	DESCRIPTION	DATE	DWN	APVD
	A	INITIAL	11JUN2014	DW	CW
	A1	UPDATE SPELLING MISTAKE	20JAN2015	DW	CW
	A2	ECR-15-010519	20JUN2015	DW	CW

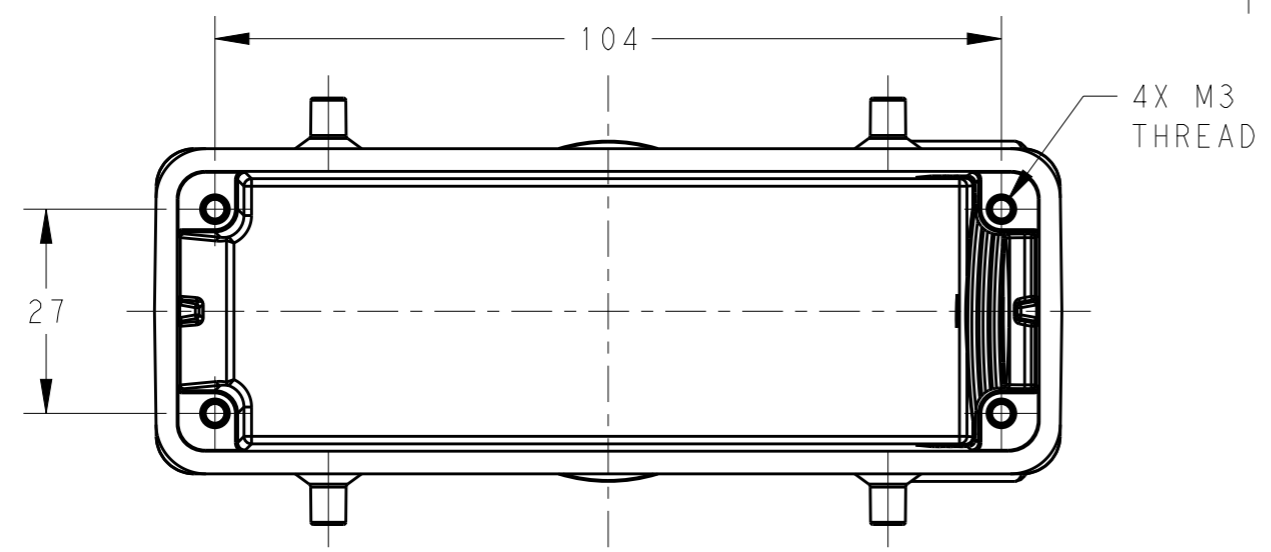


SCALE 1:2



NOTES:
 1. TECHNICAL CHARACTERISTICS:
 HOOD MATERIAL: DIE CAST ALUMINIUM ALLOY
 SURFACE: POWDER COATED, GREY
 OPERATION TEMPERATURE: -40-+125°C
 DEGREE OF PROTECTION: IP65 (MATED)

注释:
 1. 技术参数:
 上壳材料: 铝合金
 表面处理: 粉末涂层, 灰色
 工作温度: -40-+125°C
 防护等级: IP65(配合)



T1230240121-000	H24B-TSH-PG21	HIGH CONSTRUCTION	PG21
T1230240129-000	H24B-TSH-PG29		PG29
T1230240125-000	H24B-TSH-M25		M25
T1230240132-000	H24B-TSH-M32		M32
T1230240140-000	H24B-TSH-M40		M40
PART NUMBER	DESCRIPTION	TYPE	THREAD PG/M

THIS DRAWING IS A CONTROLLED DOCUMENT.		DWN 11JUN2014 David Wang	STE TE Connectivity	
DIMENSIONS: mm		CHK 11JUN2014 Chris Wang		
TOLERANCES UNLESS OTHERWISE SPECIFIED:		APVD 11JUN2014 Xiang Xu	NAME H24B-TSH-M/PG	
0 PLC ±-		PRODUCT SPEC 108-137013	SIZE CAGE CODE DRAWING NO RESTRICTED TO	
1 PLC ±-		APPLICATION SPEC 114-137013	A300779 © T12302401XX000 -	
2 PLC ±-		WEIGHT -	SCALE 1:1 SHEET 1 OF 1 REV A2	
3 PLC ±-		Customer Drawing		
4 PLC ±-				
ANGLES ±-				
FINISH -				
MATERIAL -				