

THIS DRAWING IS UNPUBLISHED.

RELEASED FOR PUBLICATION

© COPYRIGHT -

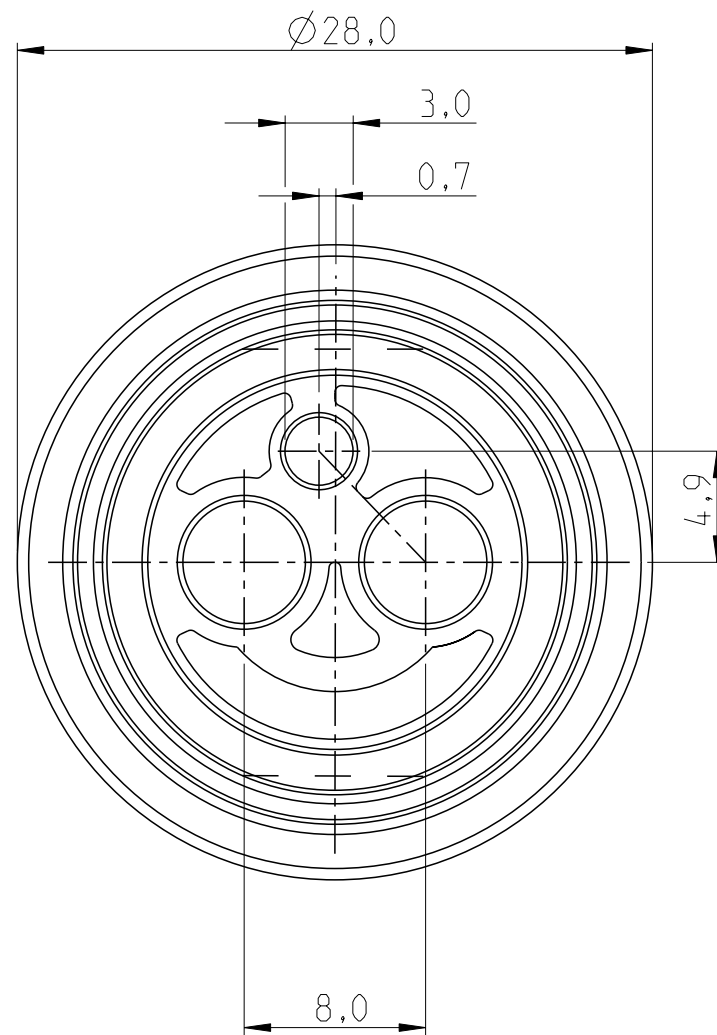
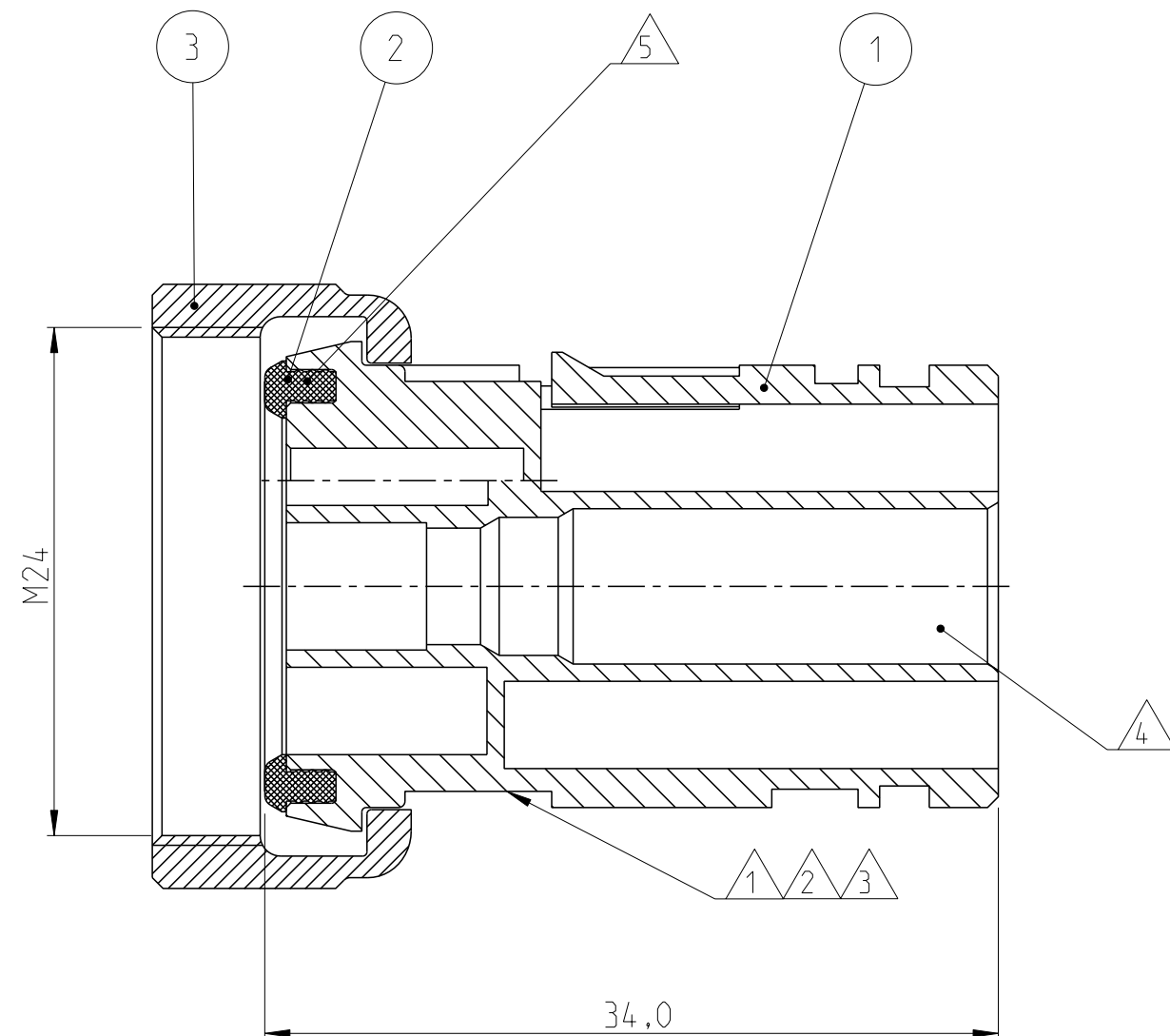
ALL RIGHTS RESERVED.

LOC
FM

DIST
-

REVISIONS

P	LTR	DESCRIPTION	DATE	DWN	APVD
A	H-9765		13MAY1992	LvdH	RotB
B	EH-08960-93		18NOV1993	DK	RotB
D1	ECR-12-004695		13MAR2012	GB	SzG
D2	ECR-13-014597		21JAN2014	GB	SzG




NOTES:

- △ 1 TRADEMARK PER SPEC. 115-19030-3
- △ 2 TE-IDENTIFICATION NUMBER ACC. DIN 1451 MITTLESCHR. HEIGHT 1.2
- △ 3 TE-MOLD IDENTIFICATION NUMBER
- △ 4 CAVITY FOR;
 - 1. 4mm. SOCKET CONTACT
WIRE SIZE 0.5-4mm²
SEE DRAWING NR.962952-1
NR.962954-1
NR.962956-1
 - 2. SCAT SEE DRAWING NR.963243-1
NR.963244-1
- △ 5 SEAL BONDED IN INSERT.

-1 AS SHOWN

BRASS	NUT M24	BRASS	100296-1	3
SILICON RUBBER	SEALING RING	BLACK	100294-1	2
PBT	2-POS. HOUSING	BLACK	100287-1	1
MATERIAL	DESCRIPTION	COLOUR/FINISH	PART NO	ITEM

THIS DRAWING IS A CONTROLLED DOCUMENT.		DWN J.v.Liempt 10FEB1992	 TE Connectivity NAME ASSY 2 POS HOUSING FOR 4mm SOCKET CONTACT M24 VERSION		
DIMENSIONS: mm		CHK R.o.t.Berg 10FEB1992			
TOLERANCES UNLESS OTHERWISE SPECIFIED:		APVD L.v.Soest 24NOV1993			
0 PLC ± 1 PLC ±0.2 2 PLC ±0.02 3 PLC ±0.005 4 PLC ± ANGLES ±° MATERIAL - FINISH -		PRODUCT SPEC - APPLICATION SPEC - WEIGHT -			
		SIZE A3	CAGE CODE 00779	DRAWING NO C=100283	RESTRICTED TO -
		CUSTOMER DRAWING		SCALE 3:1	SHEET 1 OF 1
				REV D2	