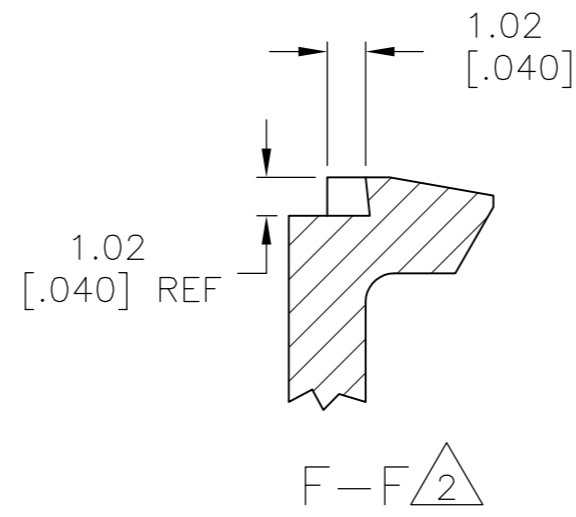
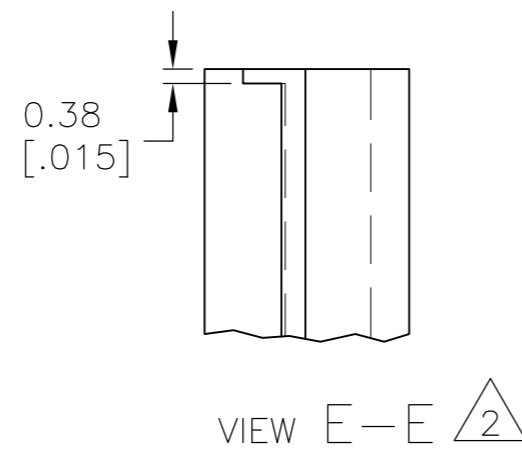
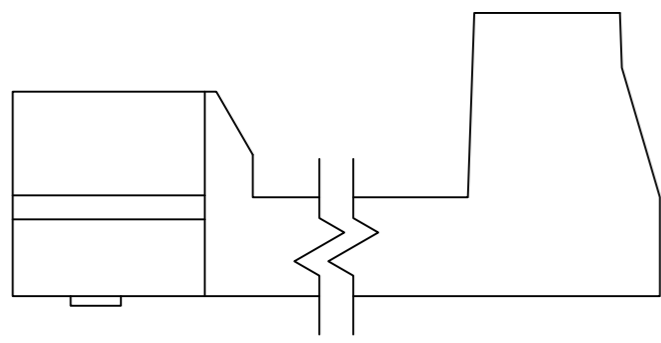
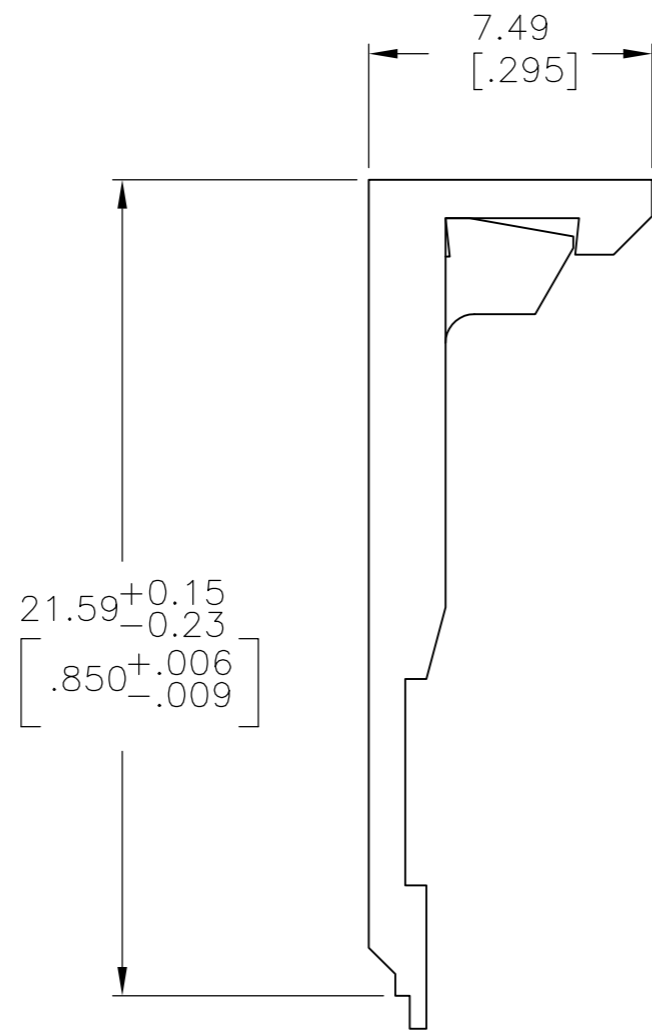
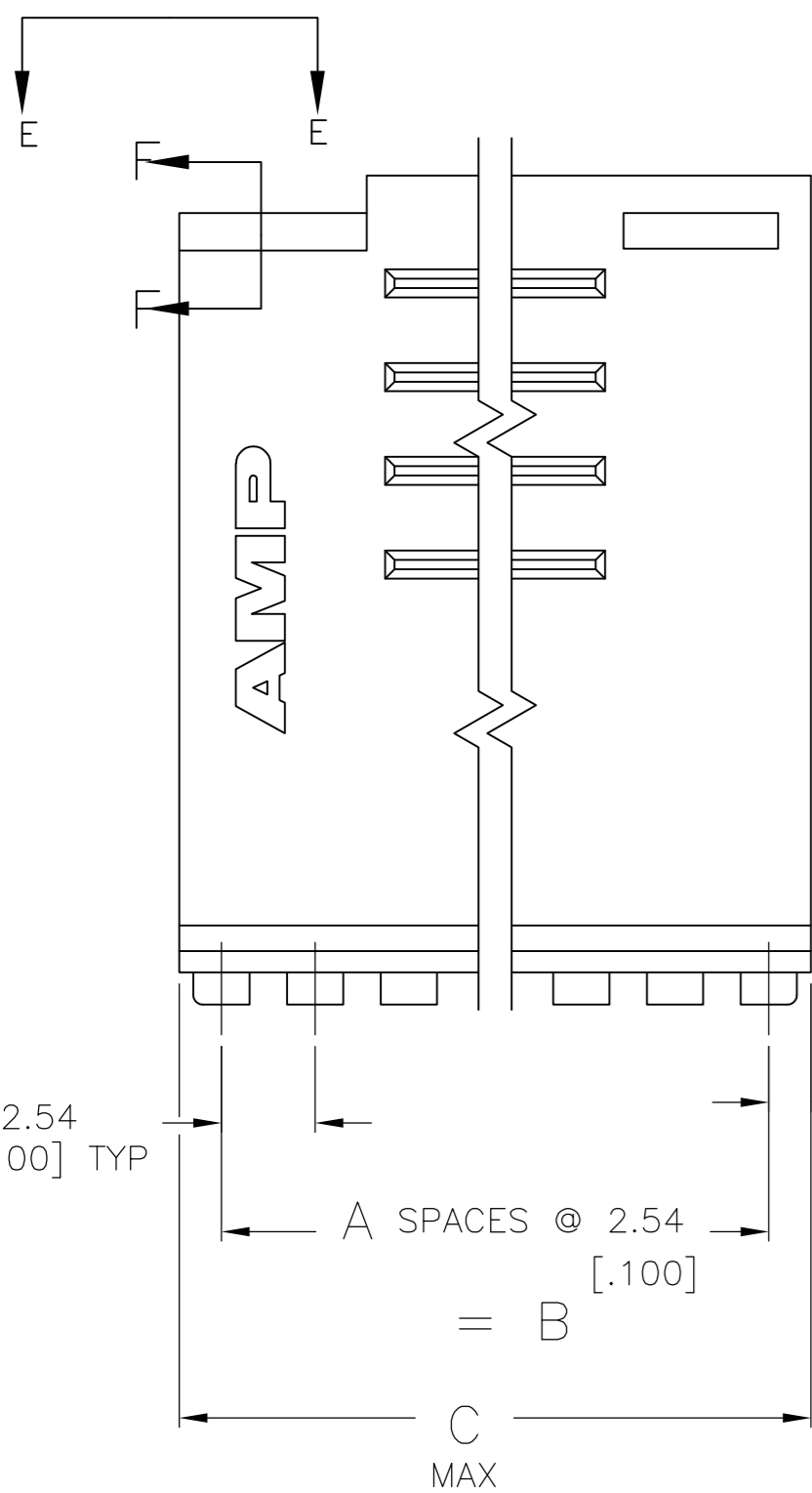


THIS DRAWING IS UNPUBLISHED. RELEASED FOR PUBLICATION  
 © COPYRIGHT - By - ALL RIGHTS RESERVED.

| LOC | DIST | REVISIONS |     |                           |           |     |      |
|-----|------|-----------|-----|---------------------------|-----------|-----|------|
| AD  | 00   | P         | LTR | DESCRIPTION               | DATE      | DWN | APVD |
|     |      | L         |     | REVISED PER ECO-15-008006 | 17NOV2015 | NK  | MM   |



- $\triangle 1$  THIS COVER IS TO BE USED IN PAIRS, WITH A DOUBLE ROW HOUSING. NUMBER OF POSITIONS INDICATED PERTAINS TO THE HOUSING.
- $\triangle 2$  THESE VIEWS APPLY TO -1 AND -2 ONLY.



|          |               |               |    |                                    |                       |
|----------|---------------|---------------|----|------------------------------------|-----------------------|
| OBSOLETE | 91.44 [3.600] | 88.90 [3.500] | 35 | 72                                 | <del>3-102396-4</del> |
| OBSOLETE | 88.90 [3.500] | 86.36 [3.400] | 34 | 70                                 | <del>3-102396-3</del> |
| OBSOLETE | 86.36 [3.400] | 83.82 [3.300] | 33 | 68                                 | <del>3-102396-2</del> |
| OBSOLETE | 83.82 [3.300] | 81.28 [3.200] | 32 | 66                                 | <del>3-102396-1</del> |
|          | 81.28 [3.200] | 78.74 [3.100] | 31 | 64                                 | 3-102396-0            |
| OBSOLETE | 78.74 [3.100] | 76.20 [3.000] | 30 | 62                                 | <del>2-102396-9</del> |
|          | 76.20 [3.000] | 73.66 [2.900] | 29 | 60                                 | 2-102396-8            |
| OBSOLETE | 73.66 [2.900] | 71.12 [2.800] | 28 | 58                                 | <del>2-102396-7</del> |
| OBSOLETE | 71.12 [2.800] | 68.58 [2.700] | 27 | 56                                 | <del>2-102396-6</del> |
| OBSOLETE | 68.58 [2.700] | 66.04 [2.600] | 26 | 54                                 | <del>2-102396-5</del> |
| OBSOLETE | 66.04 [2.600] | 63.50 [2.500] | 25 | 52                                 | <del>2-102396-4</del> |
|          | 63.50 [2.500] | 60.96 [2.400] | 24 | 50                                 | 2-102396-3            |
| OBSOLETE | 60.96 [2.400] | 58.42 [2.300] | 23 | 48                                 | <del>2-102396-2</del> |
| OBSOLETE | 58.42 [2.300] | 55.88 [2.200] | 22 | 46                                 | <del>2-102396-1</del> |
| OBSOLETE | 55.88 [2.200] | 53.34 [2.100] | 21 | 44                                 | <del>2-102396-0</del> |
| OBSOLETE | 53.34 [2.100] | 50.80 [2.000] | 20 | 42                                 | <del>1-102396-9</del> |
|          | 50.80 [2.000] | 48.26 [1.900] | 19 | 40                                 | 1-102396-8            |
| OBSOLETE | 48.26 [1.900] | 45.72 [1.800] | 18 | 38                                 | <del>1-102396-7</del> |
| OBSOLETE | 45.72 [1.800] | 43.18 [1.700] | 17 | 36                                 | <del>1-102396-6</del> |
|          | 43.18 [1.700] | 40.64 [1.600] | 16 | 34                                 | 1-102396-5            |
|          | 40.64 [1.600] | 38.10 [1.500] | 15 | 32                                 | 1-102396-4            |
|          | 38.10 [1.500] | 35.56 [1.400] | 14 | 30                                 | 1-102396-3            |
|          | 35.56 [1.400] | 33.02 [1.300] | 13 | 28                                 | 1-102396-2            |
|          | 33.02 [1.300] | 30.48 [1.200] | 12 | 26                                 | 1-102396-1            |
|          | 30.48 [1.200] | 27.94 [1.100] | 11 | 24                                 | 1-102396-0            |
|          | 27.94 [1.100] | 25.40 [1.000] | 10 | 22                                 | 102396-9              |
|          | 25.40 [1.000] | 22.86 [.900]  | 9  | 20                                 | 102396-8              |
|          | 22.86 [.900]  | 20.32 [.800]  | 8  | 18                                 | 102396-7              |
|          | 20.32 [.800]  | 17.78 [.700]  | 7  | 16                                 | 102396-6              |
|          | 17.78 [.700]  | 15.24 [.600]  | 6  | 14                                 | 102396-5              |
|          | 15.24 [.600]  | 12.70 [.500]  | 5  | 12                                 | 102396-4              |
|          | 12.70 [.500]  | 10.16 [.400]  | 4  | 10                                 | 102396-3              |
|          | 10.16 [.400]  | 7.62 [.300]   | 3  | 8                                  | 102396-2              |
|          | 7.62 [.300]   | 5.08 [.200]   | 2  | 6                                  | 102396-1              |
|          | C             | B             | A  | REF $\triangle 1$<br>NO OF<br>POSN | PART<br>NUMBER        |

THIS DRAWING IS A CONTROLLED DOCUMENT.

|  |   |
|--|---|
| DWN<br>E. BRANDBERG<br>13SEP94                                 | TE Connectivity   |
| CHK<br>J. HERRINGTON<br>13SEP94                                |   |
| APVD<br>J. HERRINGTON<br>13SEP94                               |   |
| PRODUCT SPEC   |   |
| APPLICATION SPEC   | NAME<br>COVER<br>MASS TERMINATION AMPMODU<br>2.54 [.100] CL |
| MATERIAL<br>FLAME RETARDANT<br>THERMOPLASTIC,<br>COLOR - BLACK | FINISH<br>-   |
| WEIGHT<br>-  | SIZE<br>A2  |
| CUSTOMER DRAWING   | CAGE CODE<br>00779  |
|  | DRAWING NO<br>C=102396                                      |
|  | RESTRICTED TO<br>-  |
|  | SCALE<br>5:1  |
|  | SHEET<br>1 of 1   |
|  | REV<br>L  |