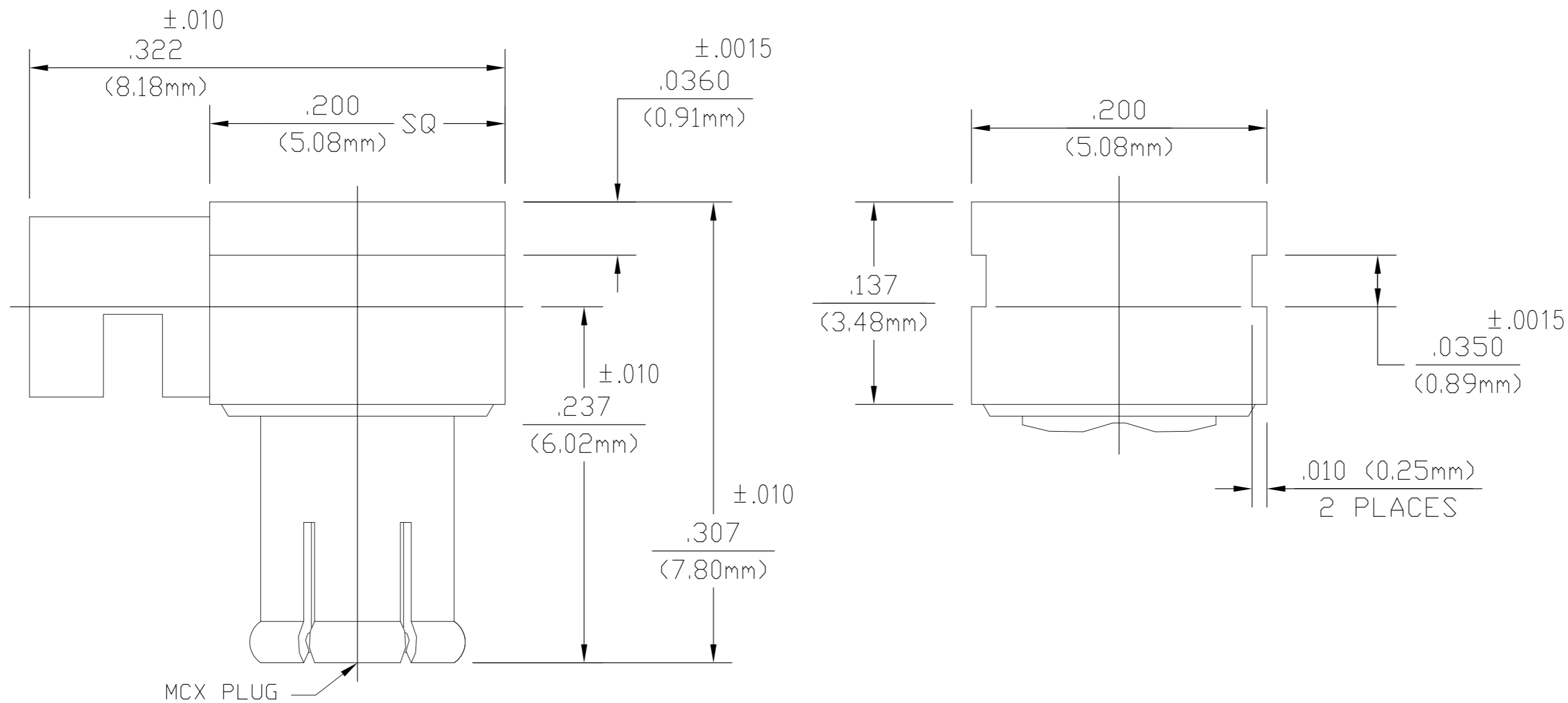


THIS DRAWING IS UNPUBLISHED. RELEASED FOR PUBLICATION
 © COPYRIGHT BY TYCO ELECTRONICS CORPORATION. ALL RIGHTS RESERVED.

LOC		DIST		REVISIONS			
P	LTR	DESCRIPTION	DATE	DWN	APVD		
	B	REV PER ECO 07-027463	17DEC2007	DW	JL		



1. SEE INSTRUCTION SHEET
408-4632

ELECTRICAL	MECHANICAL	ENVIRONMENTAL
Nominal Impedance (Ohms) <u>50</u>	Force to Engage (Lbs MAX) <u>3.4</u>	Temperature Rating <u>-65°C TO 165°C</u>
Frequency Range (GHz) <u>DC TO 4.0</u>	Force to Disengage (Lbs) <u>1.77 min, 4.5 max</u>	Vibration <u>MIL-STD-202, Method 204, Condition B</u>
Voltage Rating (VRMS MAX) <u>335 @ Sea level</u>	Center Contact Captivation: <u>Axial 4.5lbs @ 1 minute with .006" displacement</u>	Thermal shock <u>MIL-STD-202, Method 102, Condition C</u>
VSWR <u>1.15:1 MAX</u>	Cable Retention <u>Axial (Lbs) 24.5 lbs min</u>	Moisture Resistance <u>MIL-STD-202, Method 106D, 10 cycles 24 hours</u>
Insertion Loss <u>.1dB x FGHZ</u>		Corrosion <u>MIL-STD-202, Method 101, Condition B</u>
Corona, 70,000 Ft (VRMS MIN) <u>250 D.W.V.</u>		
(VRMS MIN) <u>1000</u>		
Contact Resistance		
Center Contact (Milliohms MAX) <u>5.0</u>		
Outer Contact (Milliohms MAX) <u>1.0</u>		
Cable To Housing (Milliohms MAX) <u>1.0</u>		
RF High Potential (VRMS MIN @ 5 MHz) <u>670</u>		
I.R. (Megohms Min) <u>10,000</u>		

NOTES:
1. DESIGNED FOR USE WITH
RG 174/U, RG 188/U,
RG 316/U FLEX CABLE

1060778-1	
PART NUMBER	
CABLE ENTRY DIAMETER MINIMUM	
CONTACT	.024 SLOT
HOUSING	.095

COMPONENT	MATERIAL	FINISH
HOUSING CAP CENTER CONTACT	BRASS PER QQ-B-626 COMP. 360	GOLD PLATE PER MIL-G-45204
DIELECTRIC	TFE FLUOROCARBON PER ASTM-D-1457, MIL-P-19468, AND FED. SPEC L-P-403	N/A
CONTACT FINGER	BERYLLIUM COPPER PER ASTM B 196, ALLOY C 17300, CONDITION H	GOLD PLATE PER MIL-G-45204

THIS DRAWING IS A CONTROLLED DOCUMENT.		DWN E.F. HOYLE 10/2/90	Tyco Electronics Corporation Harrisburg, PA 17105-3608	
DIMENSIONS: INCHES		CHK K.C.MAHER 10/6/90	NAME D.R.L.	
TOLERANCES UNLESS OTHERWISE SPECIFIED:		APVD D.R.L. 10/8/90	PRODUCT SPEC	
0 PLC ± -		APPLICATION SPEC		
1 PLC ± -		WEIGHT		
2 PLC ± -		SCALE 1:1		
3 PLC ± .005 (0.12)		SHEET 1 of 1		
4 PLC ± -		REV B		
ANGLES ± 1°		CUSTOMER DRAWING		
FINISH		SIZE CAGE CODE DRAWING NO RESTRICTED TO		
		A2 00779 C=1060778-1		