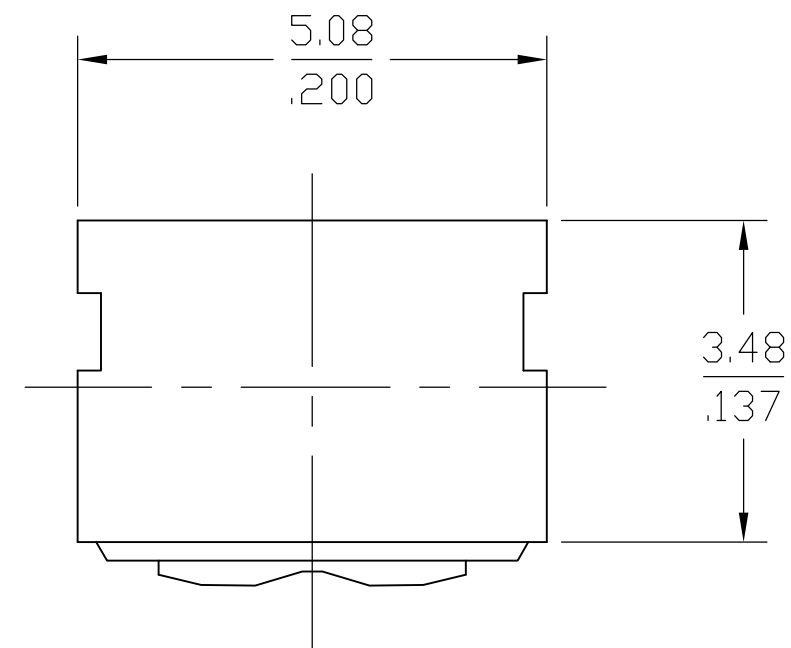
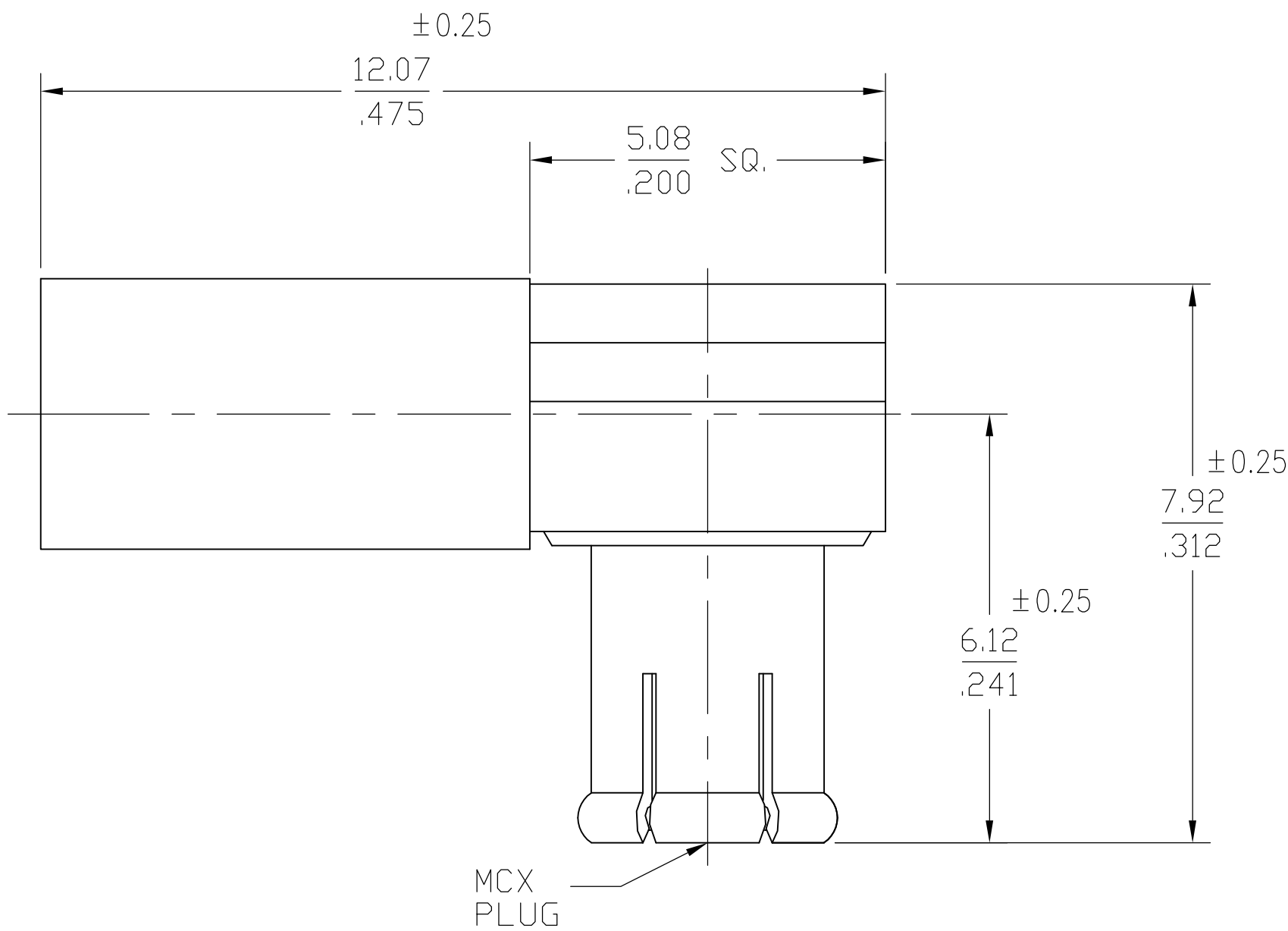


THIS DRAWING IS UNPUBLISHED. RELEASED FOR PUBLICATION
 © COPYRIGHT - By - ALL RIGHTS RESERVED.

LOC	DIST	REVISIONS			
P	LTR	DESCRIPTION	DATE	DWN	APVD
AJ	00	B2	REVISED PER ECO-13-000860	08JUN13	G.G M.Y



1. SEE INSTRUCTION SHEET 408-4633

1060891-1
PART NUMBER

DESIGNED FOR USE WITH RG-174/U, RG-188/U, RG-316/U, RG-179/U RG-187/U FLEX CABLE & JUNKOSHA CABLE A12B0426	
CABLE ENTRY DIAMETER MINIMUM	
CONTACT	.024 SLOT
HOUSING	.067
FERRULE	.125

XX.X = mm
.XXX = in.

ELECTRICAL	MECHANICAL	ENVIRONMENTAL
Nominal Impedance (Ohms) <u>50</u>	Force to Engage (lbs MAX)	TEMPERATURE RATING <u>-65° TO +165°C</u>
Frequency Range (GHz) DC to 6	<u>3.4</u>	Vibration MIL-STD-202, Method 204, Condition B
Volt Rating (VRMS MAX) @ Sea Level <u>335</u>	& Disengage (lbs) <u>1.77 MIN 4.5 MAX</u>	Thermal Shock MIL-STD-202, Method 102, Condition B
VSWR <u>1.25 MAX @ 4 GHz</u> <u>1.35 MAX @ 6 GHz</u>	Center Contact Captivation Designed to Maintain MCX Interface When Mating	Moisture Resistance MIL-STD-202, Method 106D, 10 Cycles, 96 Hours
Insertion Loss .1dB MAX/1000 MHz		Corrosion - MIL-STD-202, Method 101, Condition B
Corona, 70,000 Ft (VRMS MIN) <u>250</u>		
Dielectric Withstanding Voltage (VRMS MIN) @ Sea Level <u>1000</u>		
Contact Resistance (Milliohms MAX)		
Center Contact <u>5.0</u>		
Outer Contact <u>1.0</u>		
Cable to Housing <u>1.0</u>		
RF High Potential @ Sea Level (VRMS MIN @ 5 MHz) <u>670</u>		
I.R.(Megohms MIN) <u>10,000</u>		

COMPONENT	MATERIAL	FINISH
HOUSING CAP	BRASS PER ASTM-B-16, HALF HARD	NICKEL PLATE PER QQ-N-290
CENTER CONTACT	BRASS PER ASTM-B-16, HALF HARD	GOLD PLATE PER MIL-G-45204
DIELECTRIC	PTFE FLUOROCARBON PER ASTM-D-1457	N/A
CONTACT FINGERS	BERYLLIUM COPPER PER ASTM-B-196 OR ASTM-B-197, ALLOY C17300, CONDITION H	GOLD PLATE PER MIL-G-45204
FERRULE	COPPER OR BRASS ALLOY ROCKWELL F65 MAXIMUM	NICKEL PLATE PER QQ-N-290

THIS DRAWING IS A CONTROLLED DOCUMENT.		DWN	K.C.MAHER	2/20/91
DIMENSIONS: mm [INCHES]		CHK	BB	2/21/91
TOLERANCES UNLESS OTHERWISE SPECIFIED:		APVD	D.R.L.	2/21/91
0 PLC	± -	NAME		
1 PLC	± -	K.C. MAHER		
2 PLC	± 0.12[.005]	TE Connectivity		
3 PLC	± -	MCX RIGHT ANGLE CABLE PLUG CRIMP ATTACHMENT (5837-5003-10)		
4 PLC	± -	SIZE	A2	CAGE CODE
ANGLES	± 1°	DRAWING NO	C=1060891-1	RESTRICTED TO
FINISH	-	WEIGHT	-	-
MATERIAL	-	CUSTOMER DRAWING	SCALE 1:1	SHEET 1 OF 1
			REV B2	