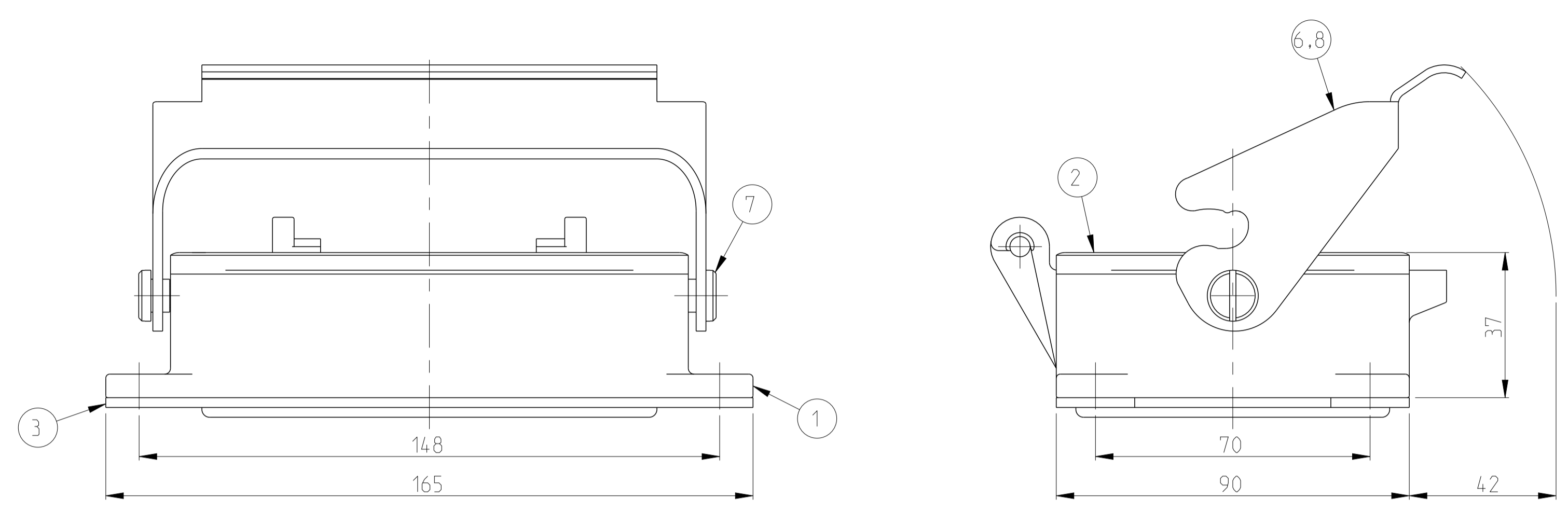


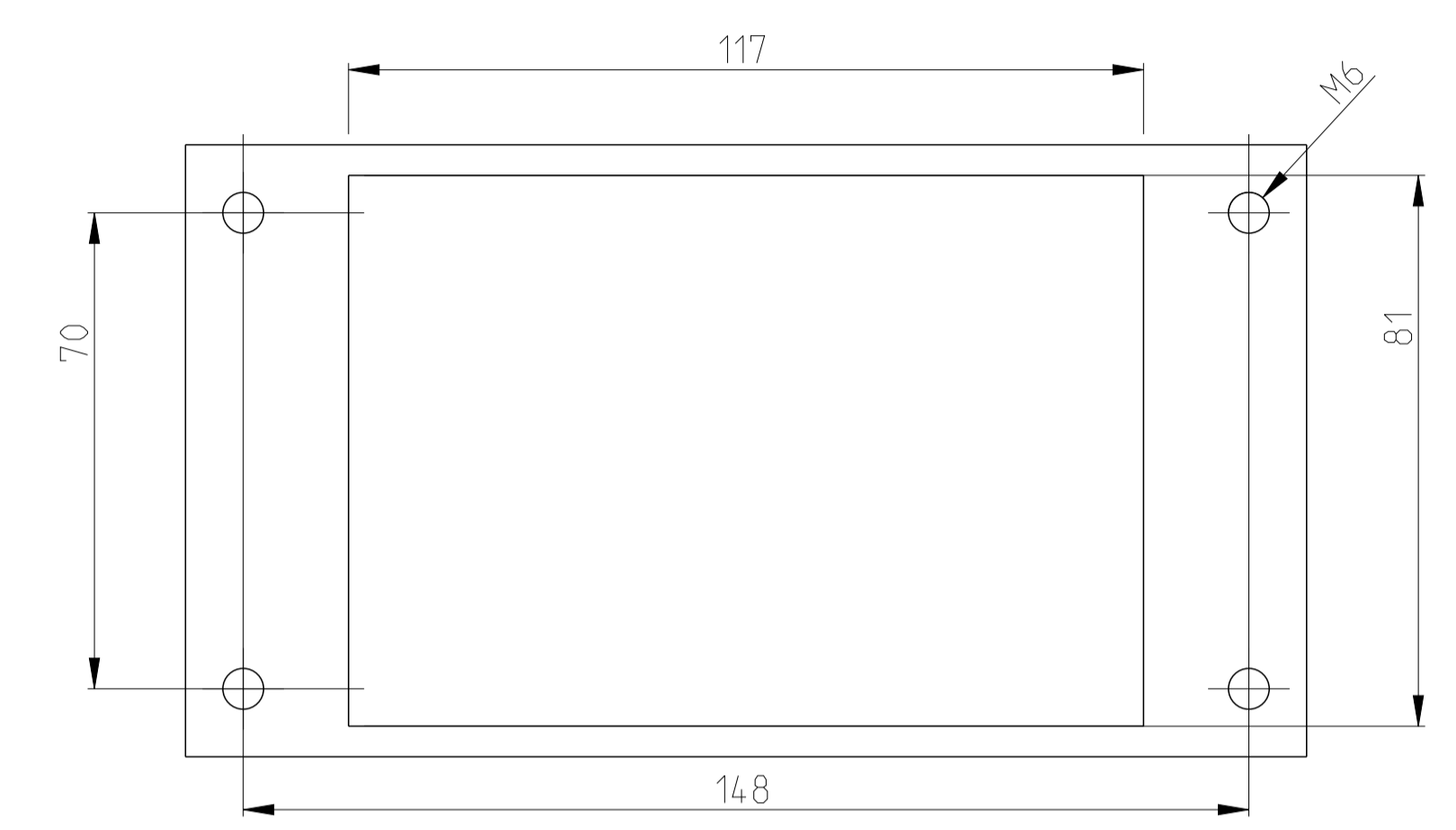
REVISIONS					
P.	LTN	DESCRIPTION	DATE	DWN	APVD
B4	ECR - 001736		17SEP09	GW	ST
B5	ECR-16-015318		17AUG2017	GR	MKO
B6	ECR-16-016768		15NOV2017	GR	MKO
B7	ECR-17-013084		29MAR2018	SG	MKO

PN 0-1 & 0-3

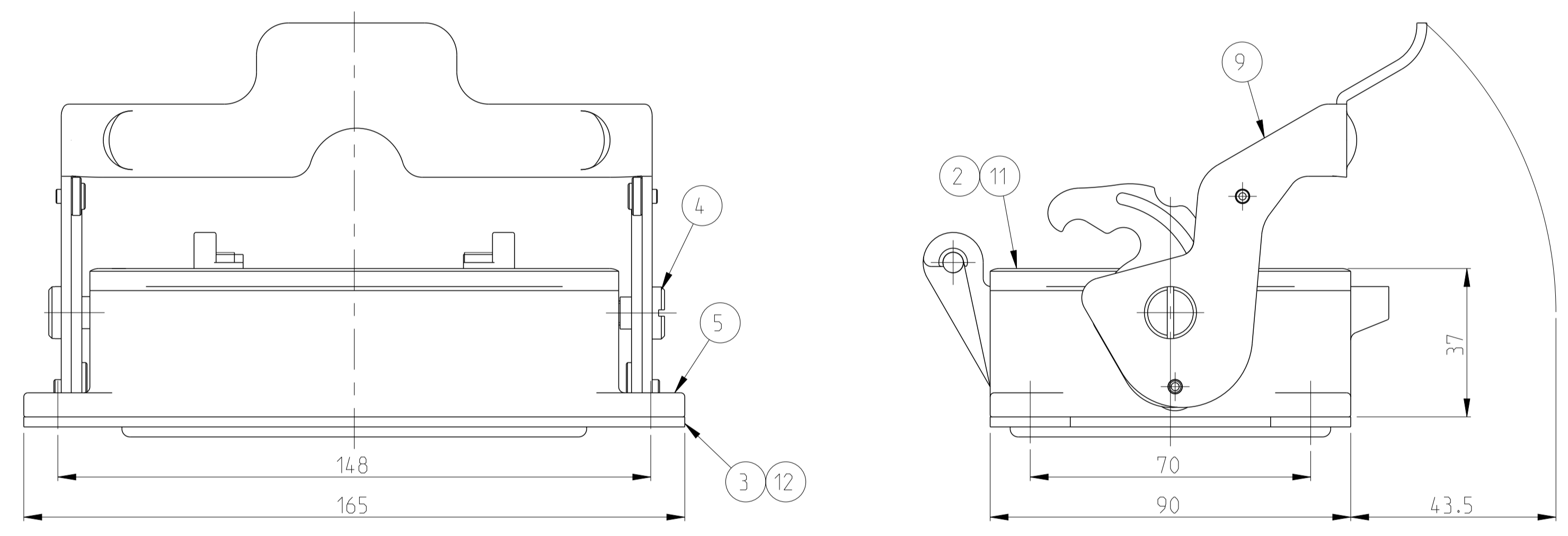


- NOTES.
- 1 Material:Housing:Aluminium Diecasting Alloy
  - 2 Varnish on the inside not necessary
  - 3 Packaging  
Quantity 3 Pieces in a box
  - 4 Obsolete

PANEL CUT-AUT



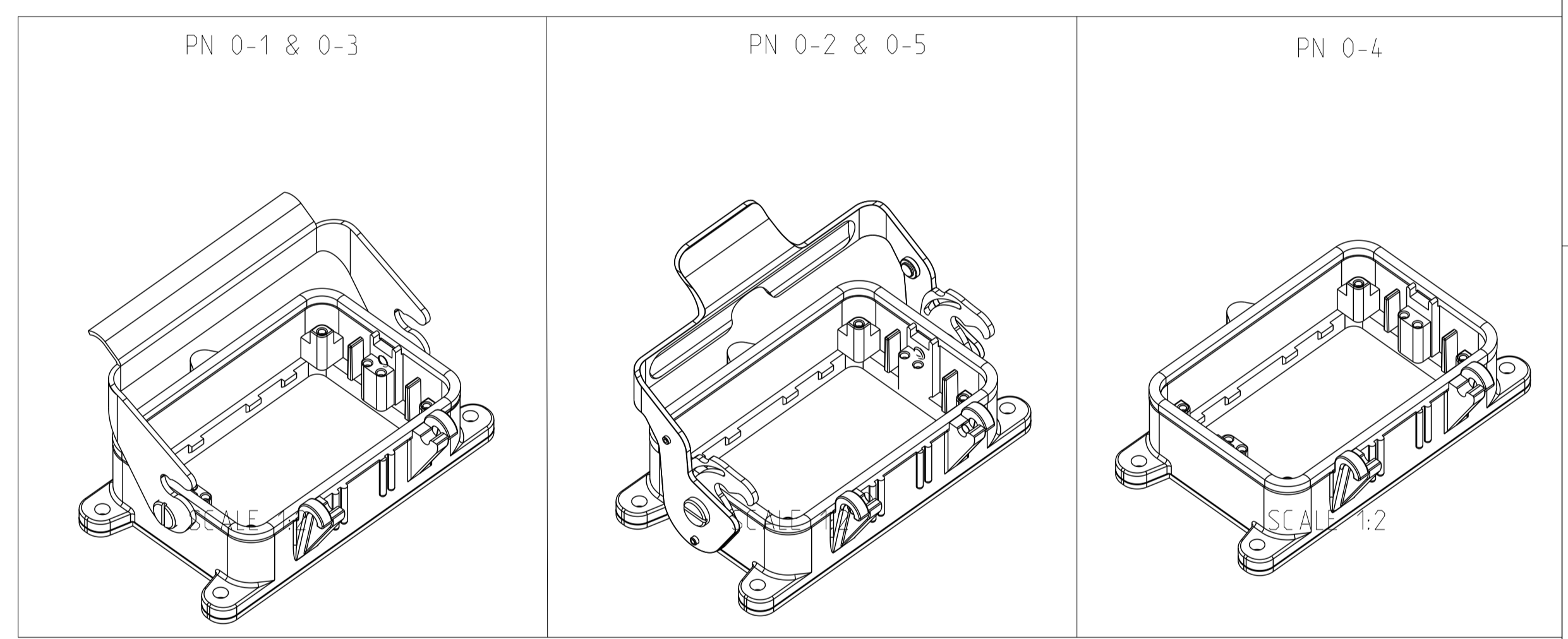
PN 0-2 & 0-5



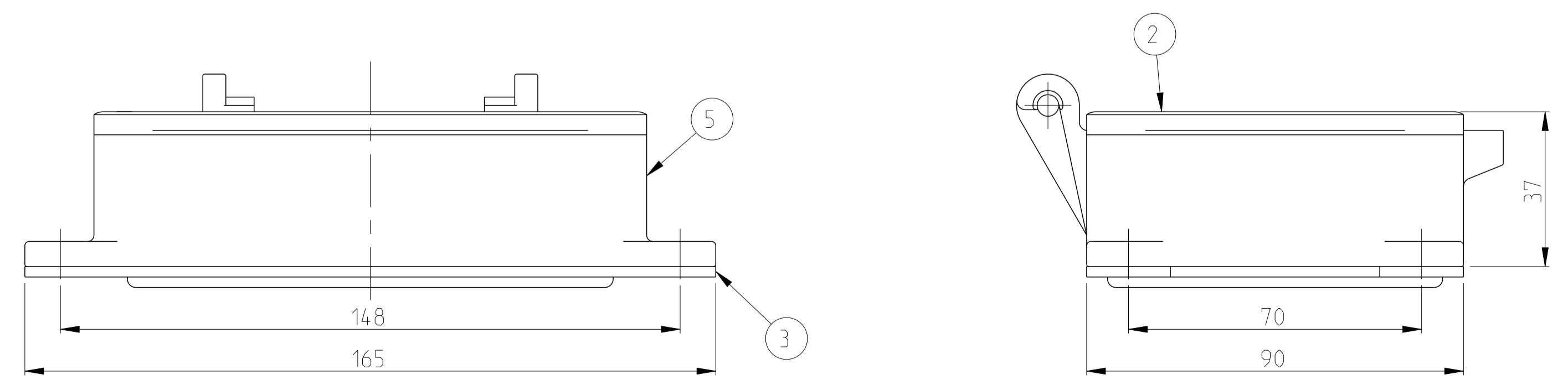
PN 0-1 & 0-3

PN 0-2 & 0-5

PN 0-4



PN 0-4



QTY	DESCRIPTION	MATERIAL	SURFACE	COLOR	ITEM NO	NOTES
4	Flanged Seal	Viton		Gray RAL 7001	12	
1	Profile Seal	Viton		Gray RAL 7001	11	
1	Surface mounted housing bottom entry	Aluminium		Grey RAL 7001	10	
1	Side clip	Stainless steel	Blank		9	
1	Side clip	Steel	Zinc plated	Blue	8	
2	Screw	Steel	Zinc plated	Blue	7	
1	Side clip	Steel	Zinc plated	Blue	6	
1	Surface mounted housing bottom entry	Aluminium		Grey RAL 7001	5	Netural
2	Screw	Stainless steel	Blank		4	
1	Flanged seal	Neoprene		Black RAL 9005	3	
1	Profile seal	Neoprene		Black RAL 9005	2	
1	Surface mounted housing bottom entry	Aluminium		Grey RAL 7001	1	
0-5	0-4	0-3	0-2	0-1	DESCRIPTION	
ORDERING TEXT						
HB.48.AG-LB						
HB.48.AG-LB						
HB.48.AG-LB-BRUD						
HB.48.AG						
HB.48.AG-LB						

THIS DRAWING IS A CONTROLLED DOCUMENT. DWN: R.SCHNEIDER 16AUG2007  
 CHG: R.SCHNEIDER 16AUG2007  
 CHG: SCHNURPFIL

TE Connectivity

NAME: SURFACE MOUNTED HOUSING BOTTOM ENTRY ASSY HB.48.AG-LB

SIZE: A1 CAGE CODE: 00779 DRAWING NO: 1102061

SCALE: 1:1 SHEET: 1 OF 1 REV: 37