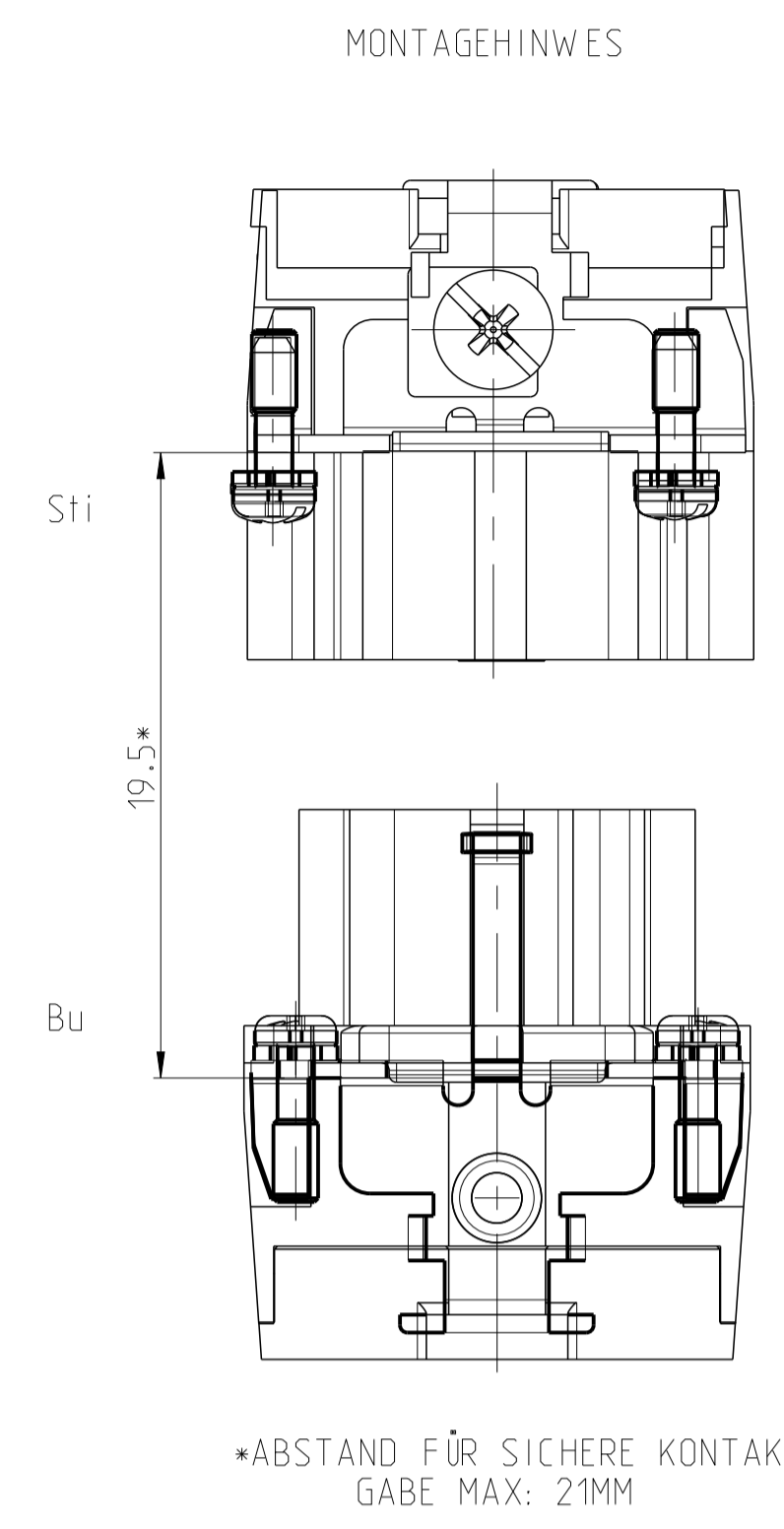
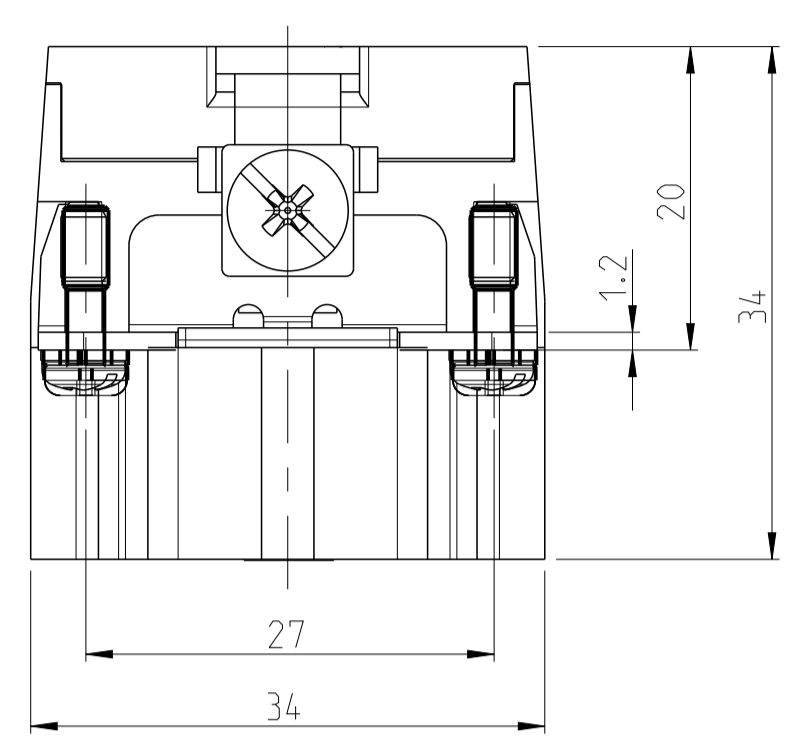
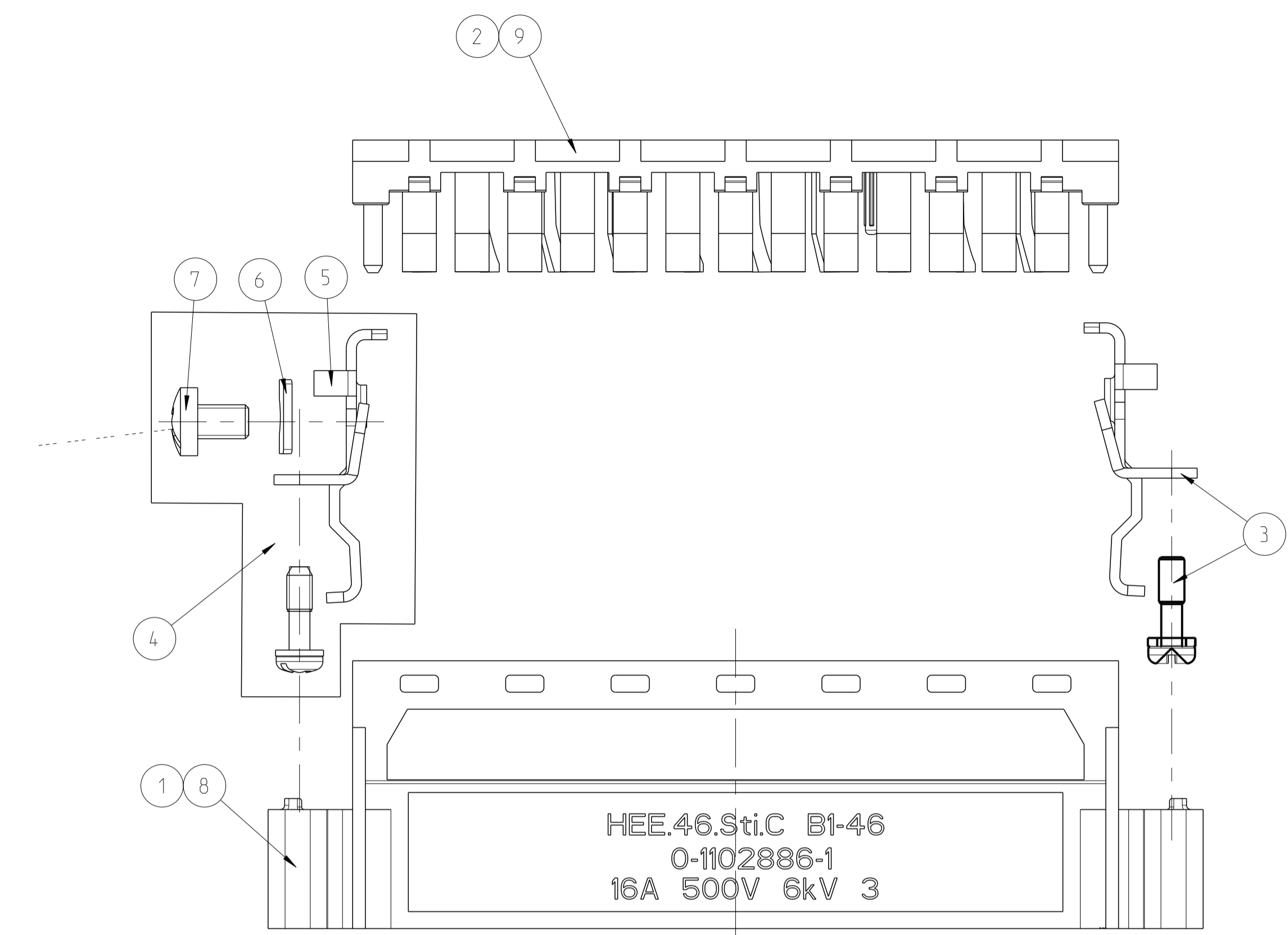
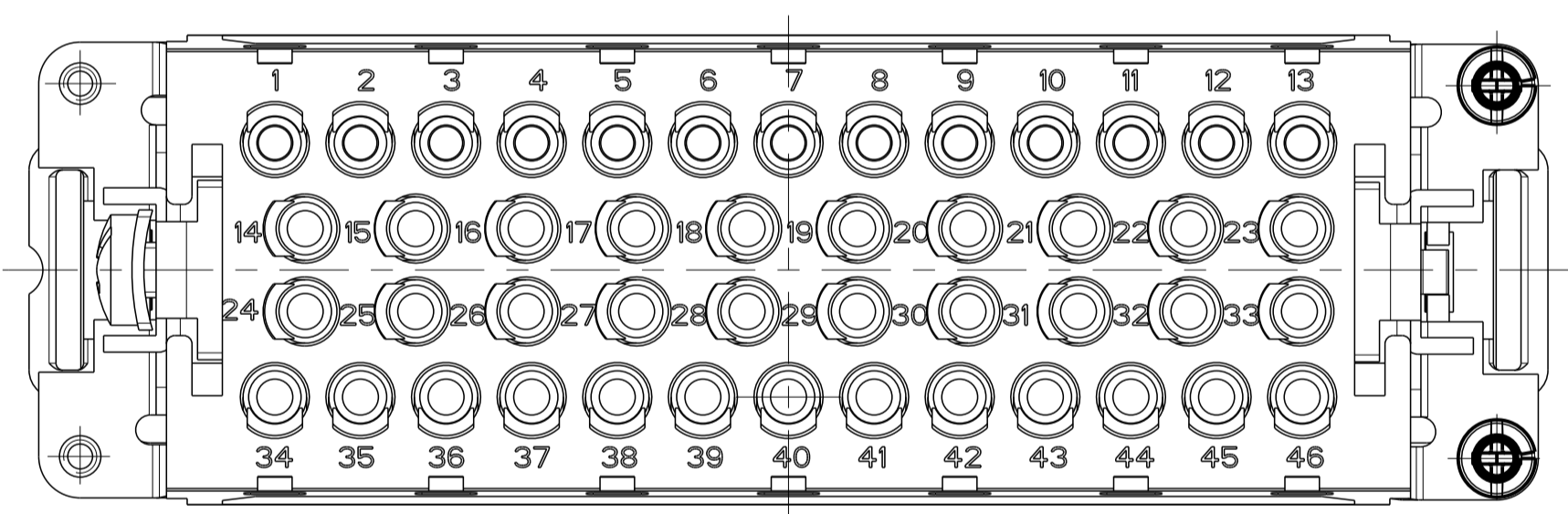


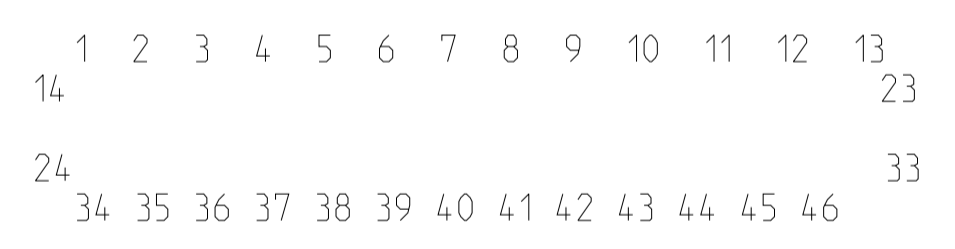
LOC	DIST	REVISIONS					
		P	LTN	DESCRIPTION	DATE	DWN	APVD
		B4		ECR-11-008436	08SEP2010	SR	AR
		B5		ECR-16-009335	08DEC2016	GCM	MKO



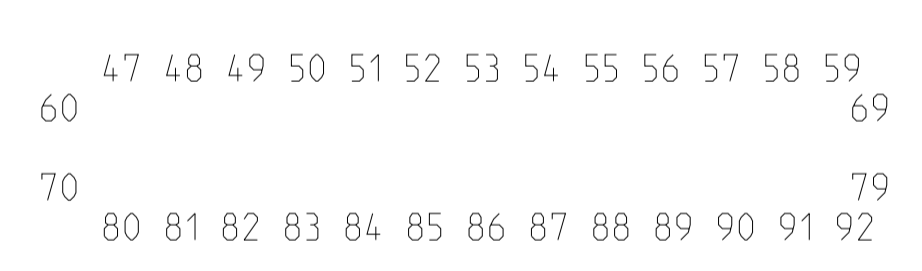
- NOTES
- 1 MATERIAL: LCP-GF
 - 2 PACKAGING QUANTITY 5 PIECES



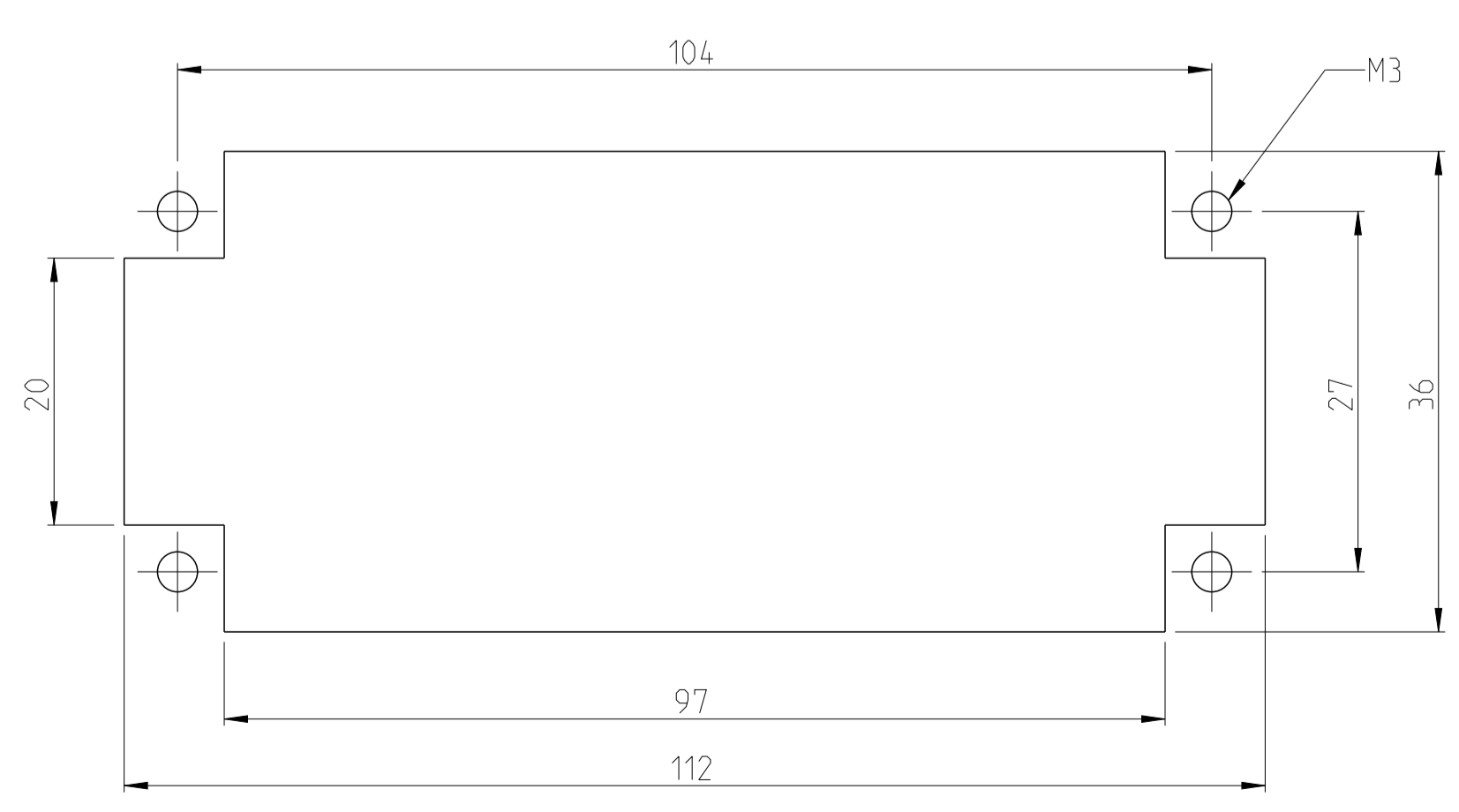
PN 0-1; 0-3; 0-4
 CONTACT ARRANGEMENT
 VIEW FROM CONNECTING SIDE



PN 0-2
 CONTACT ARRANGEMENT
 VIEW FROM CONNECTING SIDE



PANEL CUT-OUT FOR CONTACT INSERT
 WHEN USED WITHOUT HOUSING



OBSOLETE		QTY	DESCRIPTION	MATERIAL	COLOR	ITEM	NOTES	
1			COVER HE.46-FS	LCP-GF30	NATURE	9		
1			MALE INSERT HE.46-FS	LCP-GF30	NATURE	8		
			GROUND SCREW	STEEL	BLUE	7		
			CLIP TAB	STEEL	BLUE	6		
			PROTECTION WIRE CONTACT PIN	STEEL	BLUE	5		
1		1	PROTECTION WIRE CONTACT PIN WITH MOUNTING	STEEL	BLUE	4	MOUNTED	
1		1	PROTECTION WIRE CONTACT PIN	STEEL	BLUE	3	MOUNTED	
			COVER HE.46	PC GF20	GREY	2		
			MALE INSERT	PC GF20	GREY	1		
0-4	0-3	0-2	0-1	DESCRIPTION	MATERIAL	COLOR	ITEM	NOTES
				HEE.46.Sti.C B1-46				
				HEE.46.Sti.C B47-92				
				HEE.46.Sti.C/OBS B1-46				
				HEE.46.Sti.C B1-46-FS				

THIS DRAWING IS A CONTROLLED DOCUMENT. DWN: R.SCHNEIDER 02.05.02, CHW: M.SCHWEIGER 02.05.02

DIMENSIONS: mm

TOLERANCES UNLESS OTHERWISE SPECIFIED:

0	PLC	±
1	PLC	±
2	PLC	±
3	PLC	±
4	PLC	±
ANGLES		±
FINISH		±

MATERIAL: - FINISH: -

APVD: - NAME: -

PRODUCT SPEC: - APPLICATION SPEC: -

WEIGHT: -

CUSTOMER DRAWING

SCALE: 5:1 SHEET 1 OF 1 REV: B5

TE Connectivity

MALE INSERT ASSY HE.46

SIZE: A1 CAGE CODE: 00779 DRAWING NO: 1102886