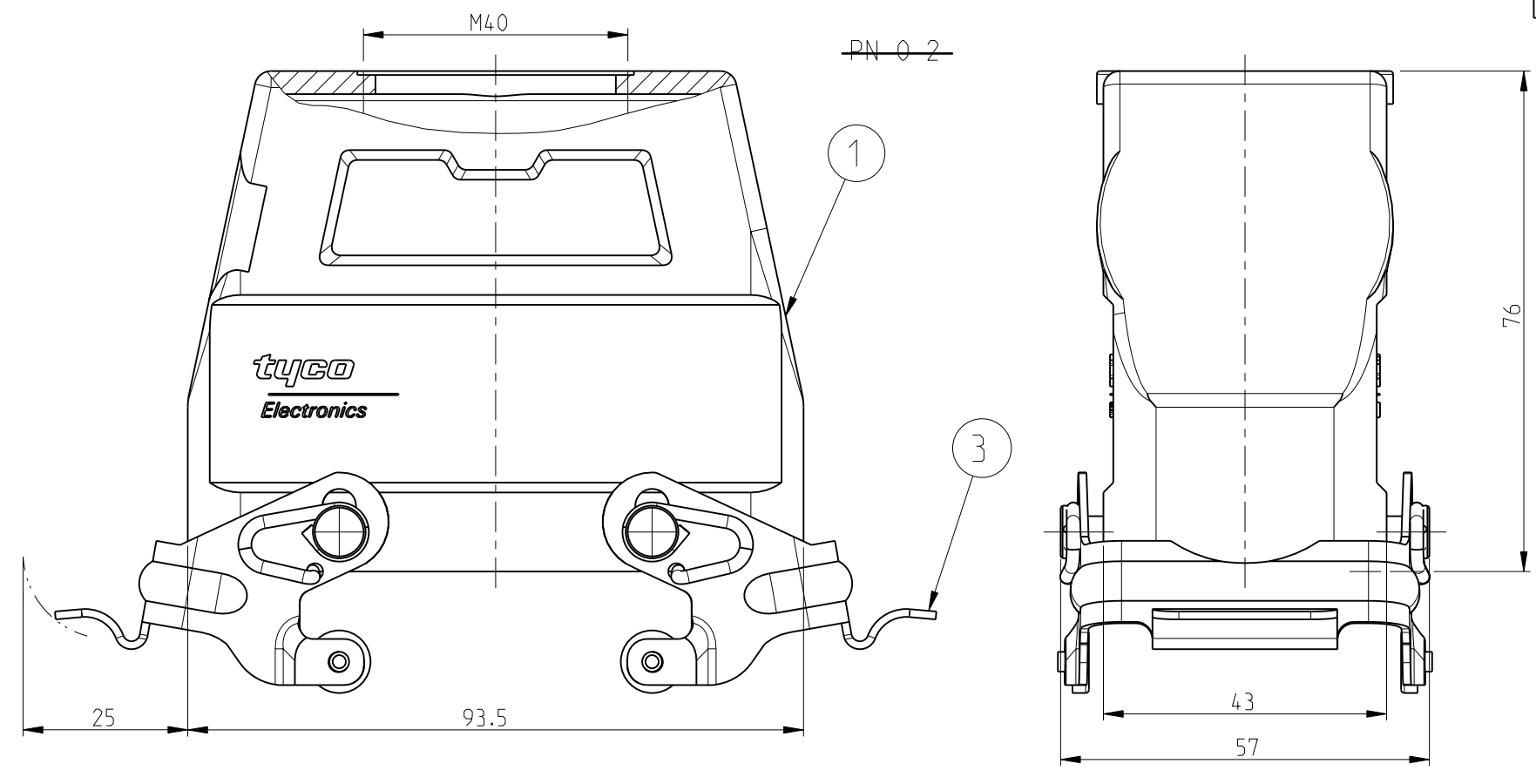
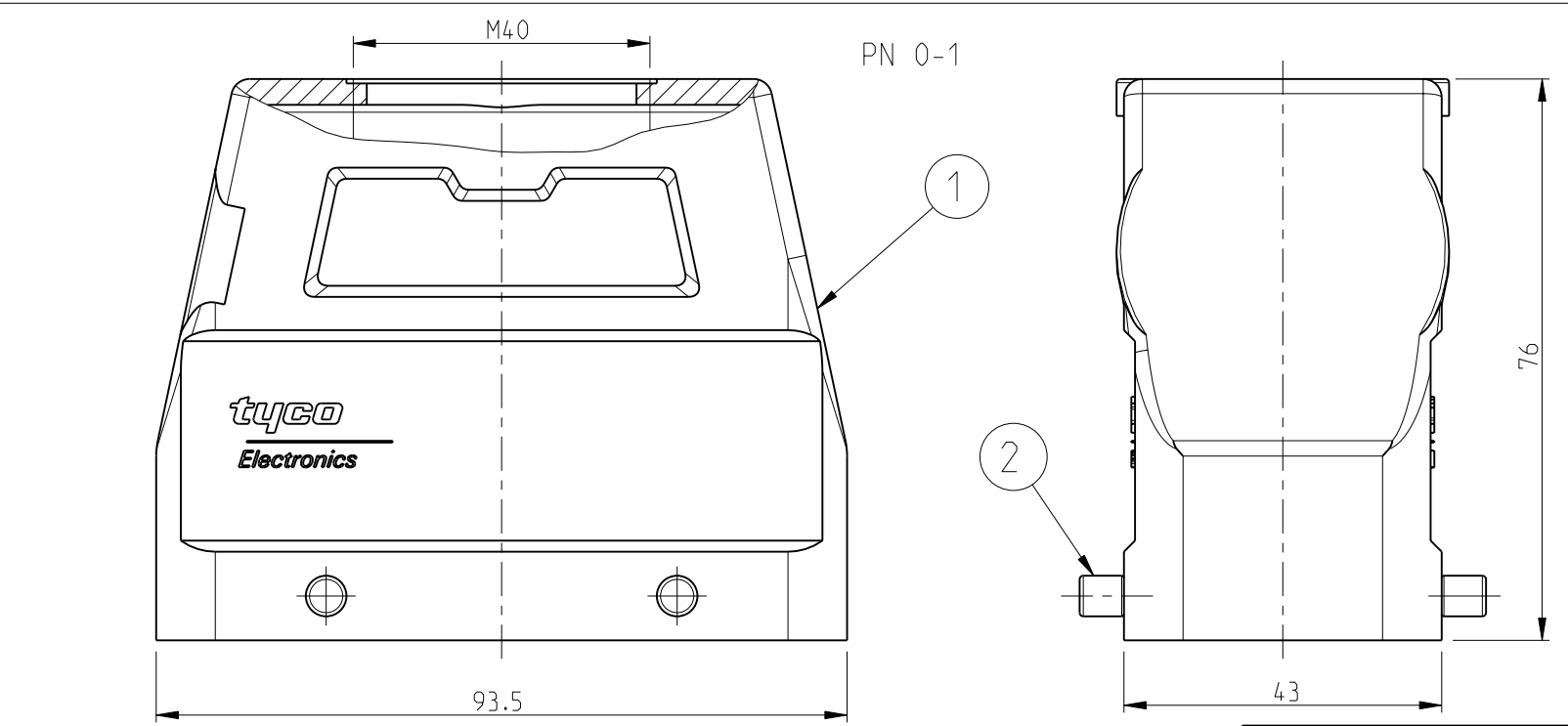
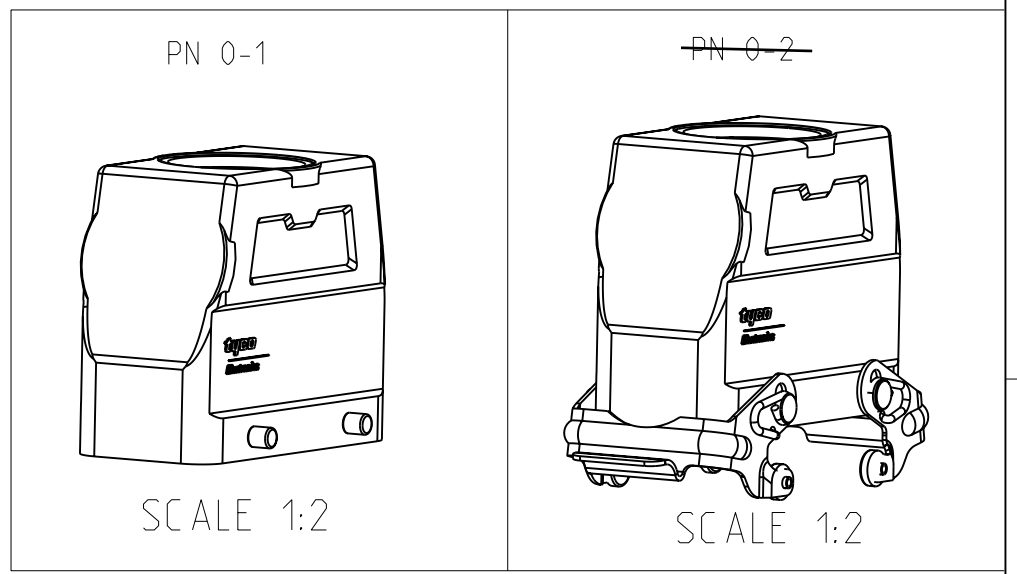


THIS DRAWING IS UNPUBLISHED. RELEASED FOR PUBLICATION 1997
 © COPYRIGHT 1997 BY TYCO ELECTRONICS CORPORATION. ALL RIGHTS RESERVED.

| LOC | DIST | REVISIONS | | | | | |
|-----|------|-----------|-----|-------------------------------|----------|-----|------|
| | | P | LTR | DESCRIPTION | DATE | DWN | APVD |
| A1 | - | | A3 | Released as per ECR-07-012890 | 12-06-07 | SK | TS |
| | | | A4 | ECR-17-013079 | 15MAR18 | SG | MKO |



- NOTES
- 1 Material:Housing: aluminium diecasting alloy
 - 2 Surface:- Powder varnish grey
 - 3 Varnish on the inside not necessarily
 - 4 Packaging quantity: 5 pieces



OBSOLETE

| QTY | DESCRIPTION | MATERIAL | SURFACE | COLOR | ITEM NO | REMARKS | |
|----------------------|--------------|-------------|-------------|---------|---------|---------|---------|
| 2 | VS-Side clip | Steel | Zinc plated | Blue | 3 | | |
| 4 | VS-Clip bolt | Steel | Zinc plated | Blue | 2 | | |
| 1 | HD Hood | Aluminium | - | Grey | 1 | | |
| 0-2 | 0-1 | DESCRIPTION | MATERIAL | SURFACE | COLOR | ITEM NO | REMARKS |
| ORDERING TEXT | | | | | | | |
| HD.40.STO.1.M40.G | | | | | | | |
| HD.40.STO VS.1.M40.G | | | | | | | |

THIS DRAWING IS A CONTROLLED DOCUMENT FOR TYCO ELECTRONICS CORPORATION IT IS SUBJECT TO CHANGE AND THE CONTROLLING ENGINEERING ORGANIZATION SHOULD BE CONTACTED FOR THE LATEST REVISION.

| | |
|-------------|--|
| DIMENSIONS: | TOLERANCES UNLESS OTHERWISE SPECIFIED: |
| mm | n-ISO 8015: ± |
| | n-ISO 2768-mH-E: ± |
| | DIN 16901-120: ± |
| | 0 PLC ± |
| | 1 PLC ± |
| | 2 PLC ± |
| | 3 PLC ± |
| | 4 PLC ± |
| | ANGLES ± |
| MATERIAL | FINISH |

| | | | | | | | |
|------------------|-----------|----------|--|--|-----------|------------|---------------|
| DWN | Schneider | 18.07.03 | | NAME HOOD HD.40.STO.1.M40.G | | | |
| CHK | Schweiger | 18.07.03 | | | | | |
| APVD | - | - | | | | | |
| PRODUCT SPEC | - | | | SIZE | CAGE CODE | DRAWING NO | RESTRICTED TO |
| APPLICATION SPEC | - | | | A3 | 00779 | ©=1102920 | - |
| WEIGHT | - | | | CUSTOMER DRAWING | SCALE | SHEET | REV |
| | | | | 1:1 | 1 | OF 1 | A4 |