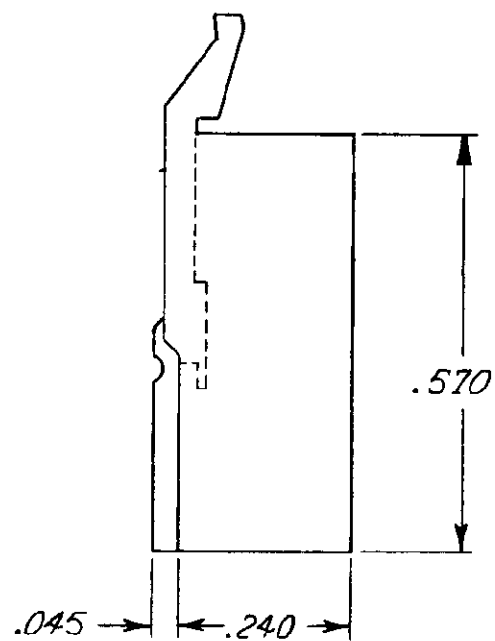
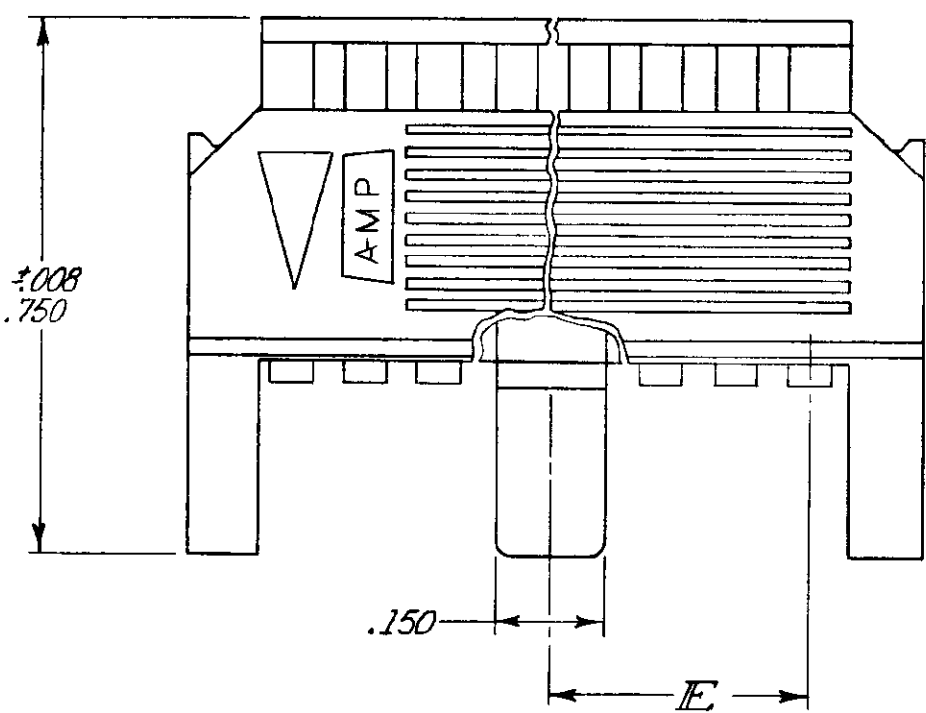
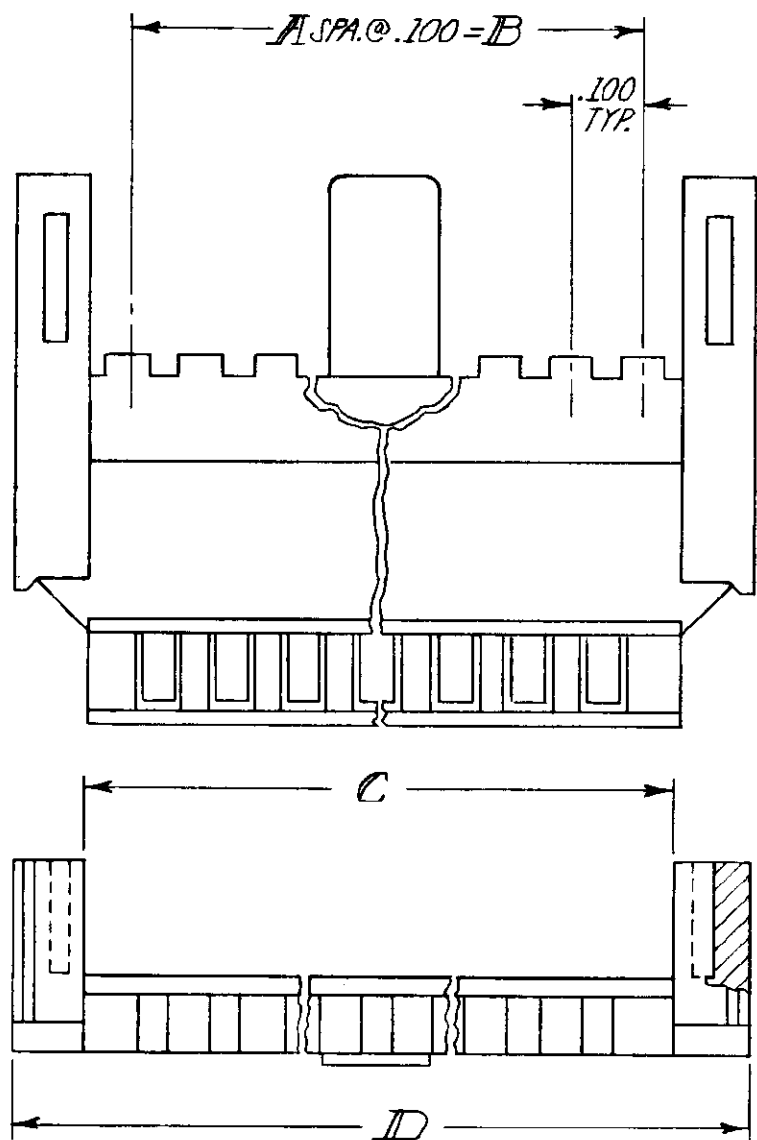


THIS DRAWING IS UNPUBLISHED. RELEASED FOR PUBLICATION JULY 12, 1983
 © COPYRIGHT 1983 BY AMP INCORPORATED, HARRISBURG, PA. ALL INTERNATIONAL RIGHTS RESERVED. AMP PRODUCTS MAY BE COVERED BY U.S. AND FOREIGN PATENTS AND/OR PATENTS PENDING.

REVISIONS						
P	F	ZONE	LTR	DESCRIPTION	DATE	APPROVED
0	✓		0	RELEASED WAS 5216-290-1 CUST		
01	✓		01	REV-ECN AR 1895	AD 3-31-89	SB
✓	✓		A	REV LOC & DIST AD-4171	11-27-89	BF



- 1 NUMBER OF POSITIONS INDICATED PERTAINS TO HOUSING.
- 2 THIS COVER IS TO BE USED WITH 102536.
- 3 THIS COVER COMPATIBLE WITH EJECT HEADER LATCHES:
 P-N 102186-1 WITH PUSH TABS
 P-N 102320-1 WITHOUT PUSH TABS
- 4 NO CENTER BAR ON THIS PART.
- 5 OBSOLETE PART NUMBER

1.550	3.396	3.206	3.100	31	64	5-103316-5
1.450	3.196	3.006	2.900	29	60	1-5-4
1.200	2.696	2.506	2.400	24	50	1-5-3
1.050	2.396	2.206	2.100	21	44	1-5-2
.950	2.196	2.006	1.900	19	40	1-5-1
.800	1.896	1.706	1.600	16	34	1-0
.700	1.696	1.506	1.400	14	30	5-9
.600	1.496	1.306	1.200	12	26	5-8
.550	1.396	1.206	1.100	11	24	5-7
.450	1.196	1.006	.900	9	20	5-6
.350	.996	.806	.700	7	16	5-5
.300	.896	.706	.600	6	14	5-4
.250	.796	.606	.500	5	12	5-3
.200	.696	.506	.400	4	10	5-2
4	.596	.406	.300	3	8	5-103316-1

103316

UNLESS OTHERWISE SPECIFIED DIMENSIONS ARE IN INCHES. TOLERANCES ON: DECIMALS ±.005 ANGLES ±	CONTRACT NO	AMP AMP INCORPORATED Harrisburg, Pa. 17105	
	DR P. A. Cook 7-12-83	NAME COVER-HALF, LOW PROFILE, MASS TERMINATION, AMPMODU, .100, WITH CENTER BAR POLARIZATION & EJECT HEADER END BLOCKS	
MATERIAL FLAME RETARDANT THERMOPLASTIC, COLOR - BLACK.	CHK K. L. L. 7/15/83	SIZE C	FSCM NO 00779
FINISH	APPD K. L. L. 7/15/83	DRAWING NO 103316	SCALE
	DSGN APPD	SHEET 1 OF 1	
	OTHER APPD		