

THIS DRAWING IS UNPUBLISHED.

RELEASED FOR PUBLICATION

2009

© COPYRIGHT 2009 BY -

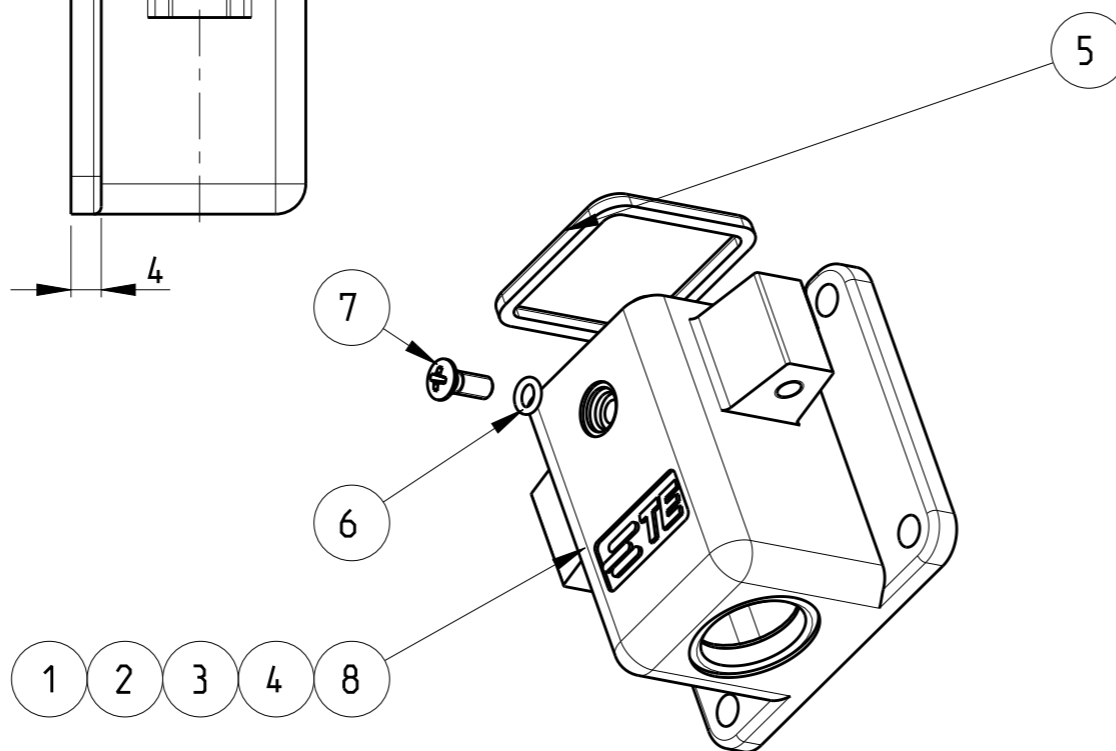
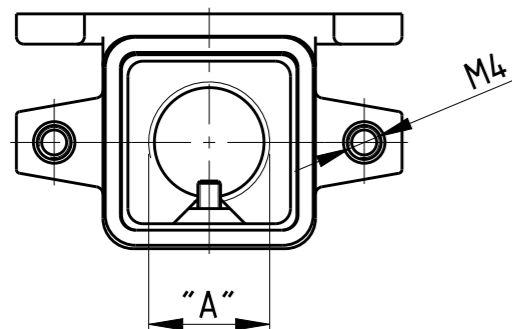
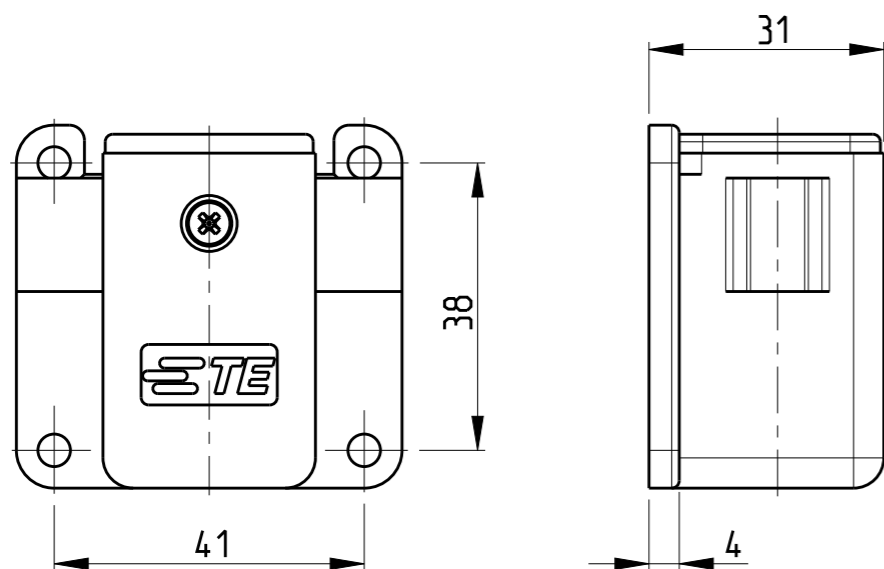
ALL RIGHTS RESERVED.

REVISIONS

P	LTR	DESCRIPTION	DATE	DWN	APVD
A5		ECR-09-023155	22OCT2009	VG	AR
A6		ECR-10-009777	17MAY2010	SR	AR
B		ECR-16-001983	20MAY2016	GCM	JB
C		ECR-16-014579	10MAY2017	GCM	JB

Notes

- 1 SUITABLE HOUSINGS: SERIES EMV, SIZE 1  
CUSTOMER DRAWING 1102700, 1106402, 1106200
- 2 STANDARDS:  
DIN EN 61984, DIN EN 60664-1
- 3 SUR TEC 650 CHROMIT AL TCP PASSIVATION
- 4 TOOL:  
PHILLIPS SCREWDRIVER PH1.
- 5 VARNISH ON INSIDE AREA NOT NECESSARY
- 6 PACKAGING:  
10 SETS IN A CARTON.



PN 0-1 AS SHOWN

PN/QTY	DESCRIPTION	"A"	MATERIAL	COLOR/SURFACE	NOTE	ITEM
1	ANGLED BULKHEAD HOUSING		ALU	BLACK	SERIES EMV-K WITHOUT LOGO	8
1 1 1 1 1	SCREW COUNTERSUNK RAISED HEAD	-	STAINL. STEEL V2A	-	M3x8 PH1 DIN EN ISO 7047	7
1 1 1 1 1	O - RING	-	NBR	BLACK	3.0x1.0	6
1 1 1 1 1	PROGFILE SEAL	-	FKM	BLACK	SERIES EMV / HIP	5
- 1 - -	ANGLED BULKHEAD HOUSING	M20	ALU	BLACK SEE NOTE 3	SERIES EMV-K	4
1 - - -	ANGLED BULKHEAD HOUSING	M20	ALU	GREY	SERIES EMV-K	3
- - 1 -	ANGLED BULKHEAD HOUSING	M16	ALU	BLACK SEE NOTE 3	SERIES EMV-K	2
- - - 1	ANGLED BULKHEAD HOUSING	M16	ALU	GREY	SERIES EMV	1

PARTS LIST (PER ONE UNIT)

0-5	EMV-K.3/4.SG-N
0-4	EMV.3/4.SG.1.M20.G
0-3	EMV-K.3/4.SG.1.M20.G
0-2	EMV-K.3/4.SG.1.M16.G
0-1	EMV.3/4.SG.1.M16.G
PART NO.	ORDERING TEXT

THIS DRAWING IS A CONTROLLED DOCUMENT.

DIMENSIONS:	TOLERANCES UNLESS OTHERWISE SPECIFIED:
mm	0 PLC ±
	1 PLC ±
	2 PLC ±
	3 PLC ±
	4 PLC ±
	ANGLES ±°
MATERIAL	FINISH
-	-

DWN	V.GLUMM	26AUG2009
CHK	H.Braun	26AUG2009
APVD	T.Schnurfeil	26AUG2009
PRODUCT SPEC	-	-
APPLICATION SPEC	-	-
WEIGHT	-	-



NAME				ANGLED BULKHEAD HOUSING ASS'Y	
-				SIDE ENTRY, SERIES EMV, SIZE 1	
SIZE	CAGE CODE	DRAWING NO	RESTRICTED TO		
A3	00779	C-1106401	-		
CUSTOMER DRAWING			SCALE	SHEET	REV
			1:1	1 OF 1	C