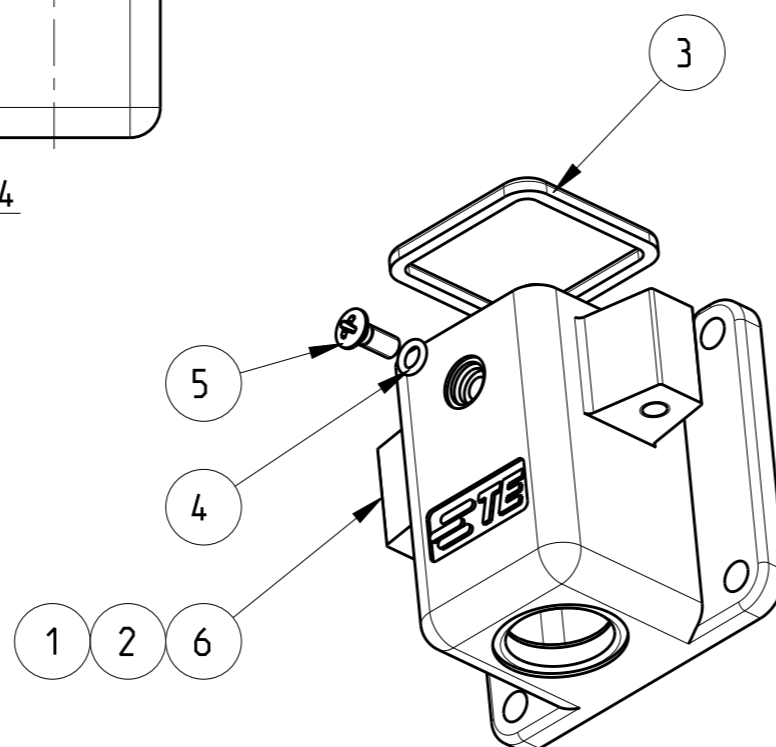
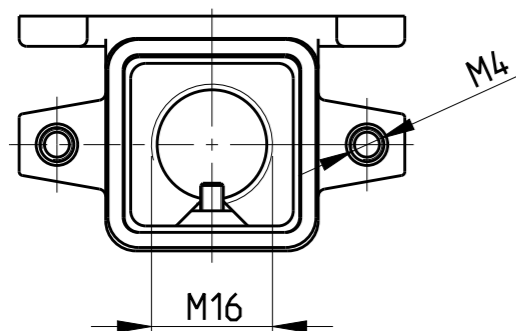
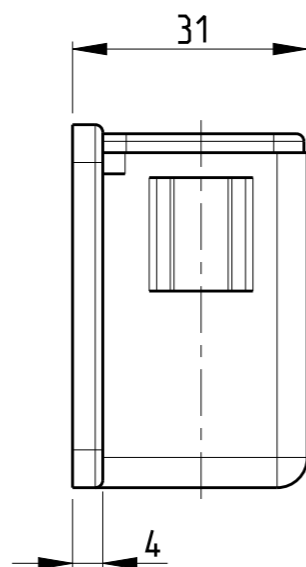
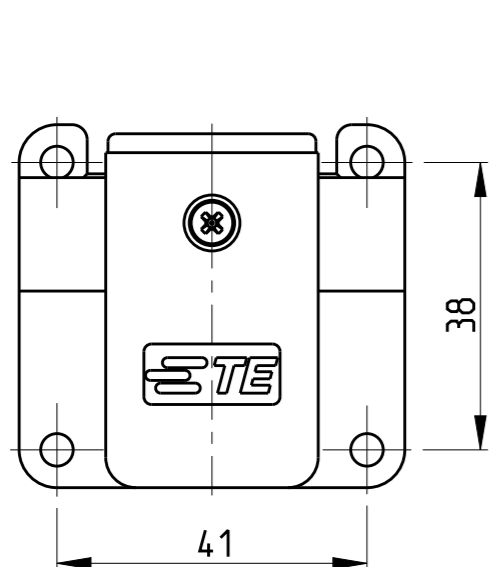


THIS DRAWING IS UNPUBLISHED. RELEASED FOR PUBLICATION 2009
 © COPYRIGHT 2009 BY - ALL RIGHTS RESERVED.

REVISIONS

P	LTR	DESCRIPTION	DATE	DWN	APVD
A2		ECR-09-023155	22OCT2009	VG	AR
A3		ECR-10-009777	27MAY2010	SR	AR
B		ECR-16-001983	20MAY2016	GCM	JB
C		ECR-16-014579	10MAY2017	GCM	JB



Notes

- 1 SUITABLE HOUSINGS: SERIES HIP, SIZE 1
CUSTOMER DRAWING 1102600 1106408, 1106200
- 2 STANDARDS:
DIN EN 61984, DIN EN 60664-1
- 3 TOOL:
PHILLIPS SCREWDRIVER PH1.
- 4 VARNISH ON INSIDE AREA NOT NECESSARY
- 5 PACKAGING:
10 SETS IN A CARTON.

PART NO.	ORDERING TEXT
0-1106407-3	HIP-K.3/4.SG-N
0-1106407-2	HIP-K.3/4.SG.1.M16.G
0-1106407-1	HIP.3/4.SG.1.M16.G

0-3	0-2	0-1	DESCRIPTION	MATERIAL	COLOR/SURFACE	NOTE	ITEM
			1 ANGLED BULKHEAD HOUSING	ALU	BLACK	WITHOUT LOGO & DRILLING	6
	1	1	1 SCREW COUNTERSUNK RAISED HEAD	STAINL. STEEL V2A	-	M3x8 PH1 DIN EN ISO 7047	5
	1	1	1 O - RING	NBR	BLACK	3.0x1.0	4
	1	1	1 PROFILE SEAL	FKM	BLACK	SERIES EMV / HIP	3
	1	-	1 ANGLED BULKHEAD HOUSING	ALU	BLACK	SERIES HIP-K	2
	-	1	1 ANGLED BULKHEAD HOUSING	ALU	GREY	SERIES HIP	1

PARTS LIST (PER ONE UNIT)

THIS DRAWING IS A CONTROLLED DOCUMENT.		DWN V.GLUMM 25AUG2009	TE Connectivity	
DIMENSIONS: mm		CHK H.Braun 25AUG2009		
		APVD T.Schnurfeil 25AUG2009		
TOLERANCES UNLESS OTHERWISE SPECIFIED:		PRODUCT SPEC	NAME ANGLED BULKHEAD HOUSING ASS'Y SIDE ENTRY, SERIES HIP, SIZE 1	
0 PLC ± 1 PLC ± 2 PLC ± 3 PLC ± 4 PLC ± ANGLES ±°		APPLICATION SPEC	SIZE A3 CAGE CODE 00779 DRAWING NO C-1106407 RESTRICTED TO -	
MATERIAL - FINISH -		WEIGHT -	SCALE 1:1 SHEET 1 OF 1 REV C	
CUSTOMER DRAWING				