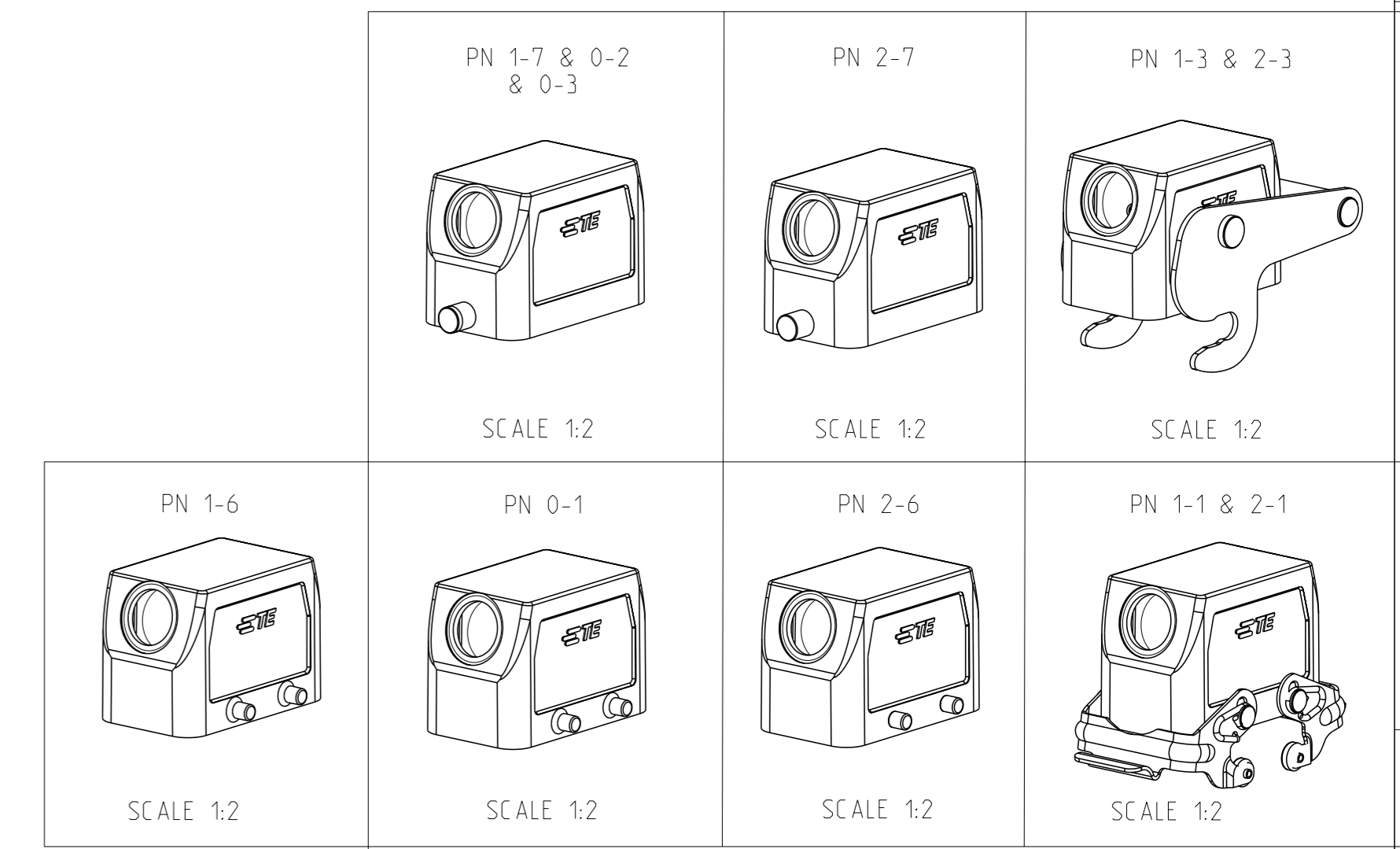


REVISIONS				
#	DATE	DESCRIPTION	DATE	OWN APVD
A6	17.12.07	Released as per ECR-07-030422		SP TS
A7	26DEC12017	ECR-16-015318		GR MKO
A8	11JAN2018	REVISED PER ECR-17-013084		SRG MKO

- NOTES.
- Material:Housing:Aluminium Diecasting Alloy
 - Surface-Powder Varnish Grey
-Aluminium Oxide -
Varnish Black
 - Varnish on the inside not necessary
 - Packaging
Quantity 5 Pieces in a box



QTY	DESCRIPTION	MATERIAL	SURFACE	COLOR	ITEM NO	NOTES
1	ZB-Central clip	Stainless steel	Blank	-	11	
1	ZB-Central clip	Steel	Zinc plated	Blue	10	
2	LB- Clip bolt	Stainless steel	Blank	-	9	
2	LB- Clip bolt	Steel	Zinc plated	Blue	8	
	VS-Side clip	Stainless steel	Blank	-	7	
	VS-Side clip	Steel	Zinc plated	Blue	6	
1	VS- Clip bolt	Stainless steel	Blank	-	5	
1	HB- Hood	Aluminium	-	No varnish	4	
1	HB- Hood	Aluminium	-	Grey	3	Identification plate
1	HB-K Hood	Aluminium	Aluminium oxide	Black	2	
1	HB- Hood	Aluminium	-	Grey	1	
0-32-31-32-70-21-72-11-12-60-11-6	DESCRIPTION	MATERIAL	SURFACE	COLOR	ITEM NO	NOTES
	HB.10.STS.1.16.G					
	HB.10.STS.1.16.G					
	HB-K.10.STS.1.16.G					
	HB.10.STS-VS.1.16.G					
	HB-K.10.STS-VS.1.16.G					
	HB.10.STS-GR.1.16.G					
	HB.10.STS-GR.1.9.G					
	HB-K.10.STS-GR.1.16.G					
	HB-Z.10.STS-ZB.1.16.G					
	HB-K/Z.10.STS-ZB.1.16.G					
	HB.10.STS-GR.1.16.G					

THIS DRAWING IS A CONTROLLED DOCUMENT. DWN: Schneider 19.05.00
 CHK: Schweiger 19.05.00

DIMENSIONS: mm TOLERANCES UNLESS OTHERWISE SPECIFIED:
 0 mm ±0.1
 1-4 mm ±0.2
 5-10 mm ±0.3
 15-30 mm ±0.4
 35-50 mm ±0.5
 55-70 mm ±0.6
 75-100 mm ±0.8
 ANGLES FINISH *

MATERIAL: - FINISH: - WEIGHT: -

CUSTOMER DRAWING

NAME: HB Hood
 HB.10.STS.1.16.G

PRODUCT SPEC: - APPLICATION SPEC: -

SIZE: A1 CAGE CODE: 00779 DRAWING NO: 1102261 RESTRICTED TO: -

SCALE: 1:1 SHEET: 1 OF 1 REV: AB