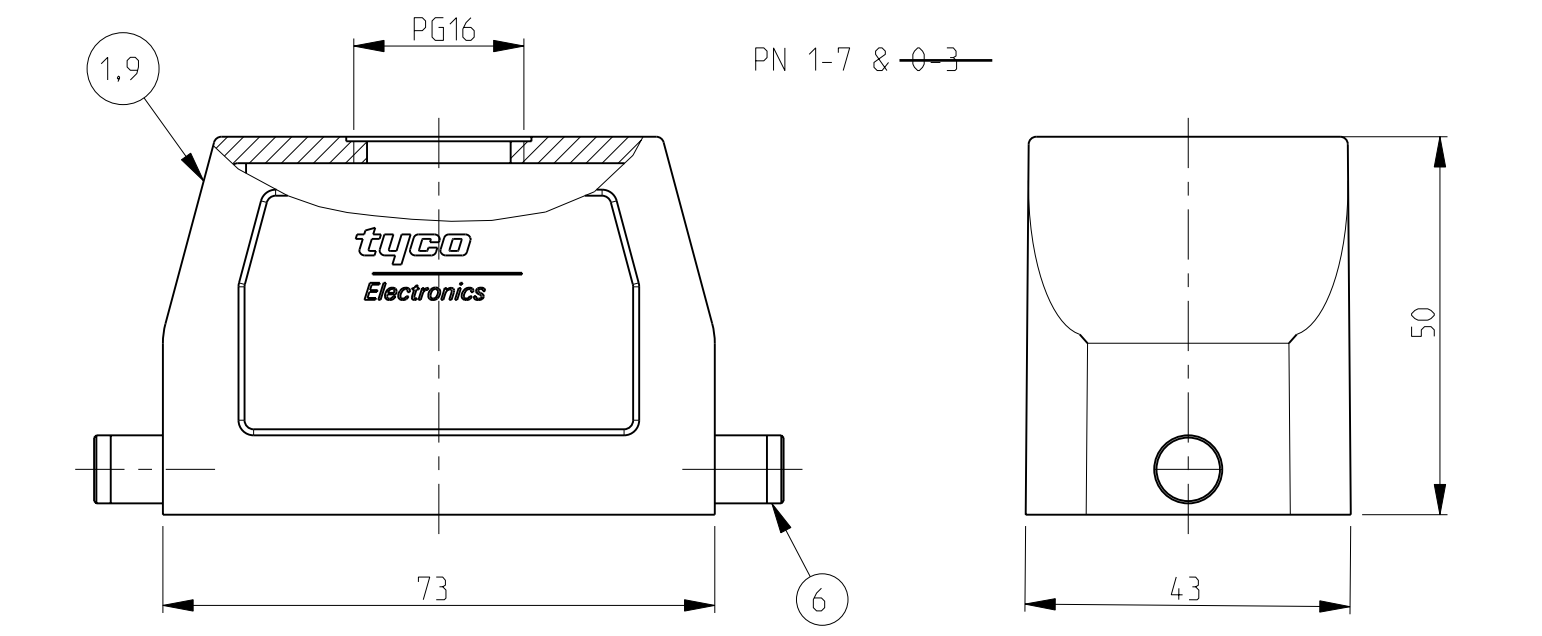
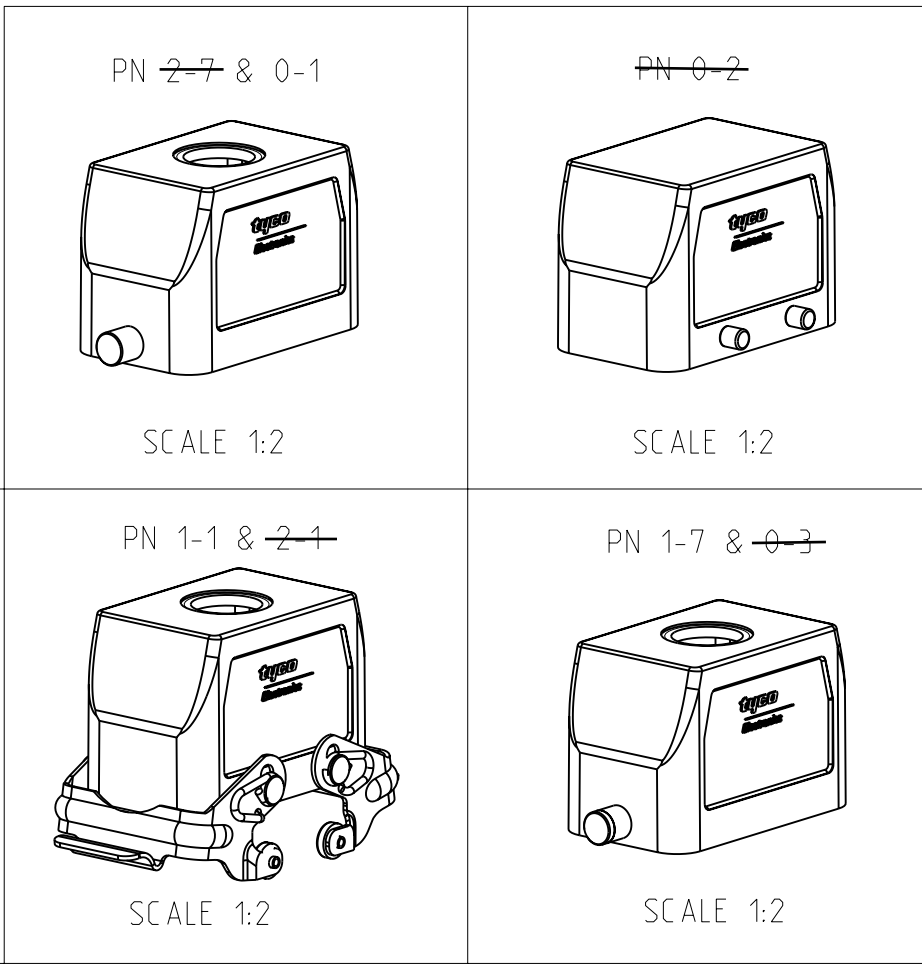
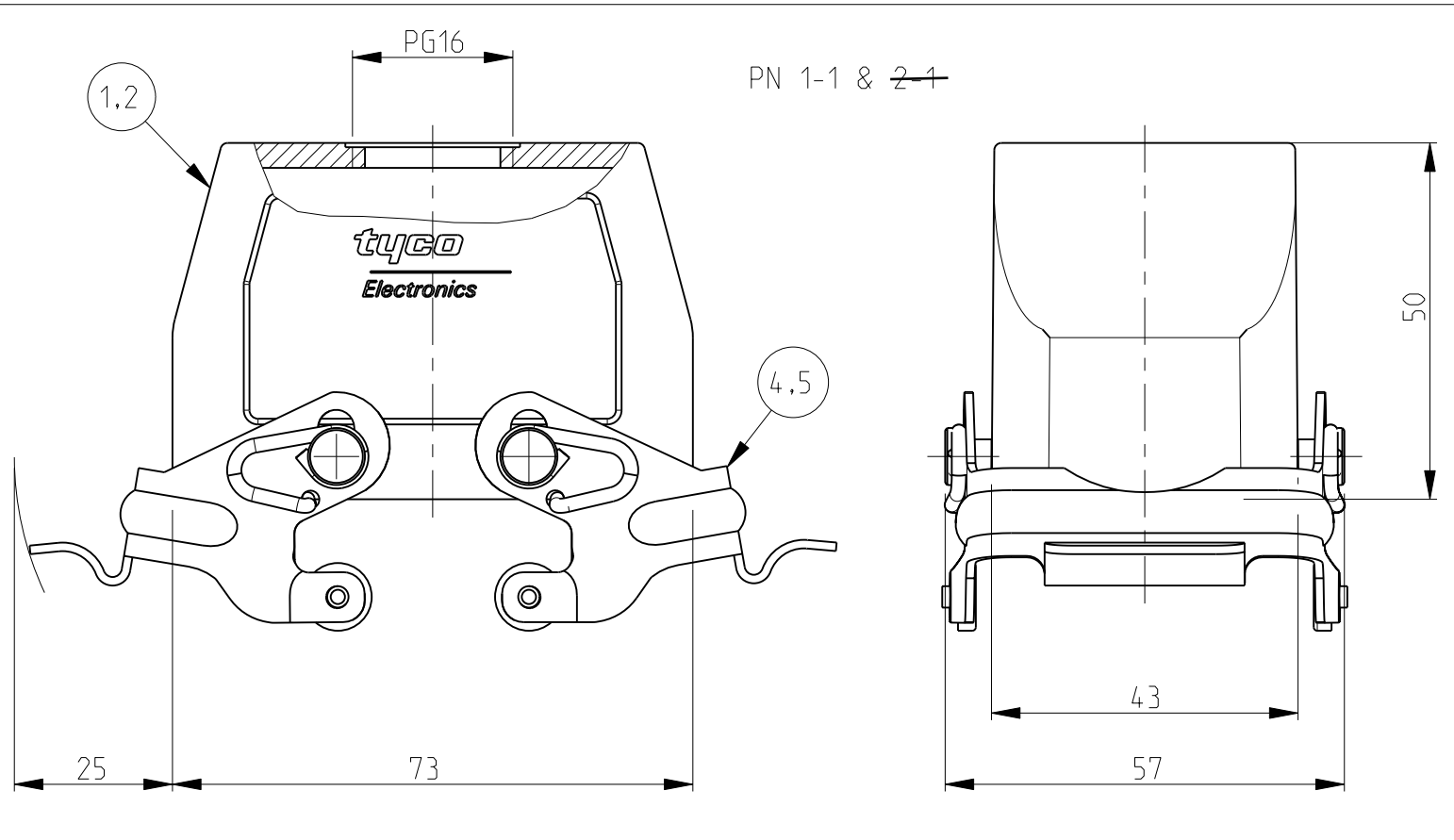
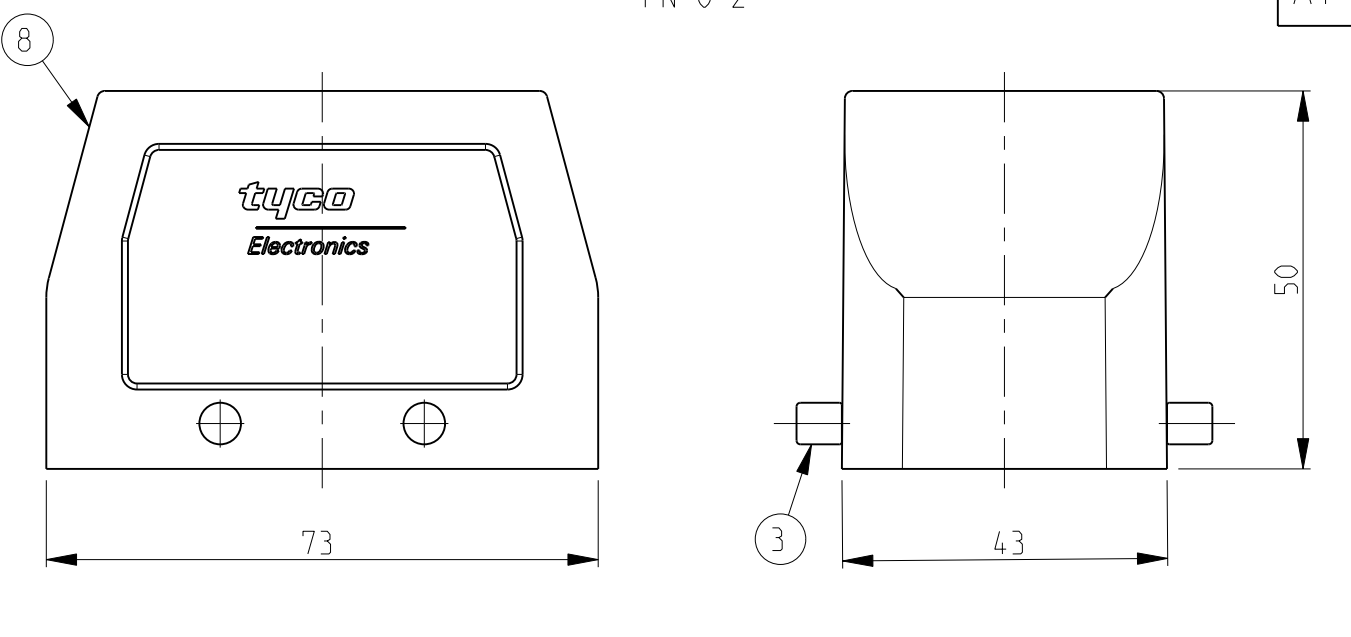
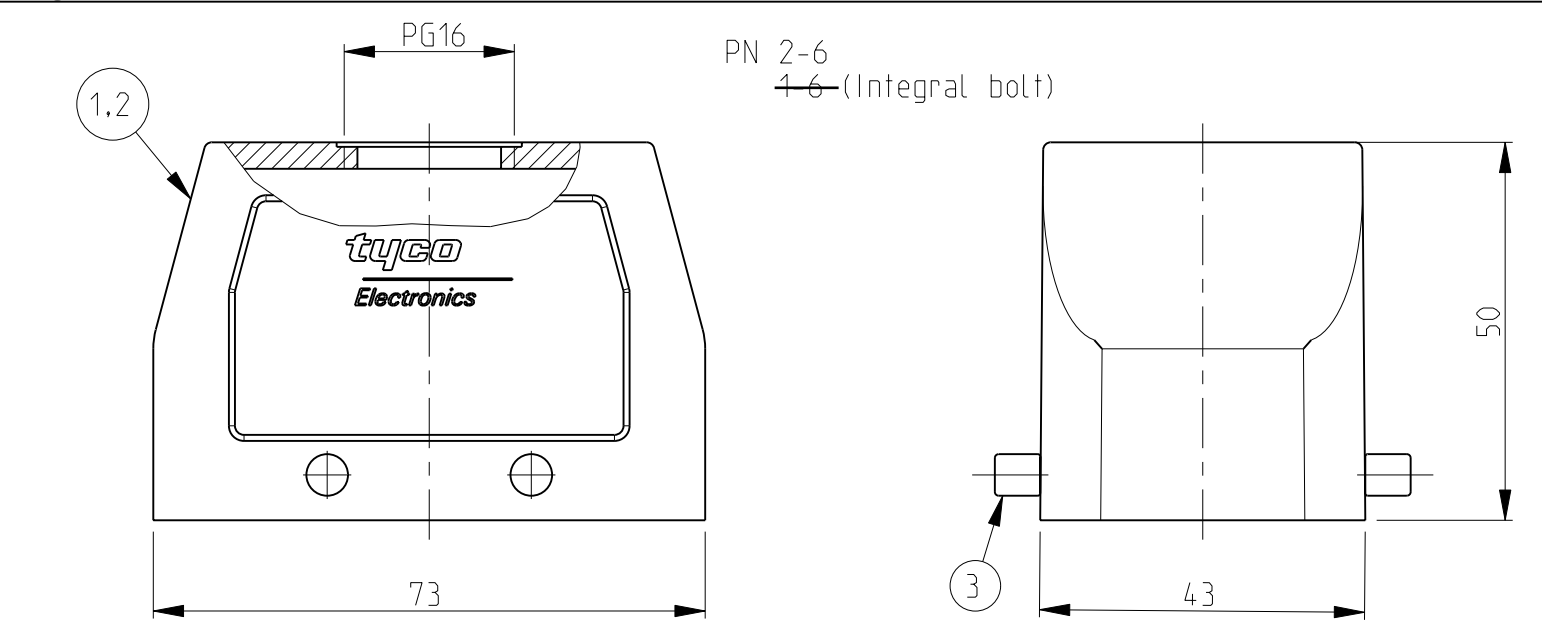


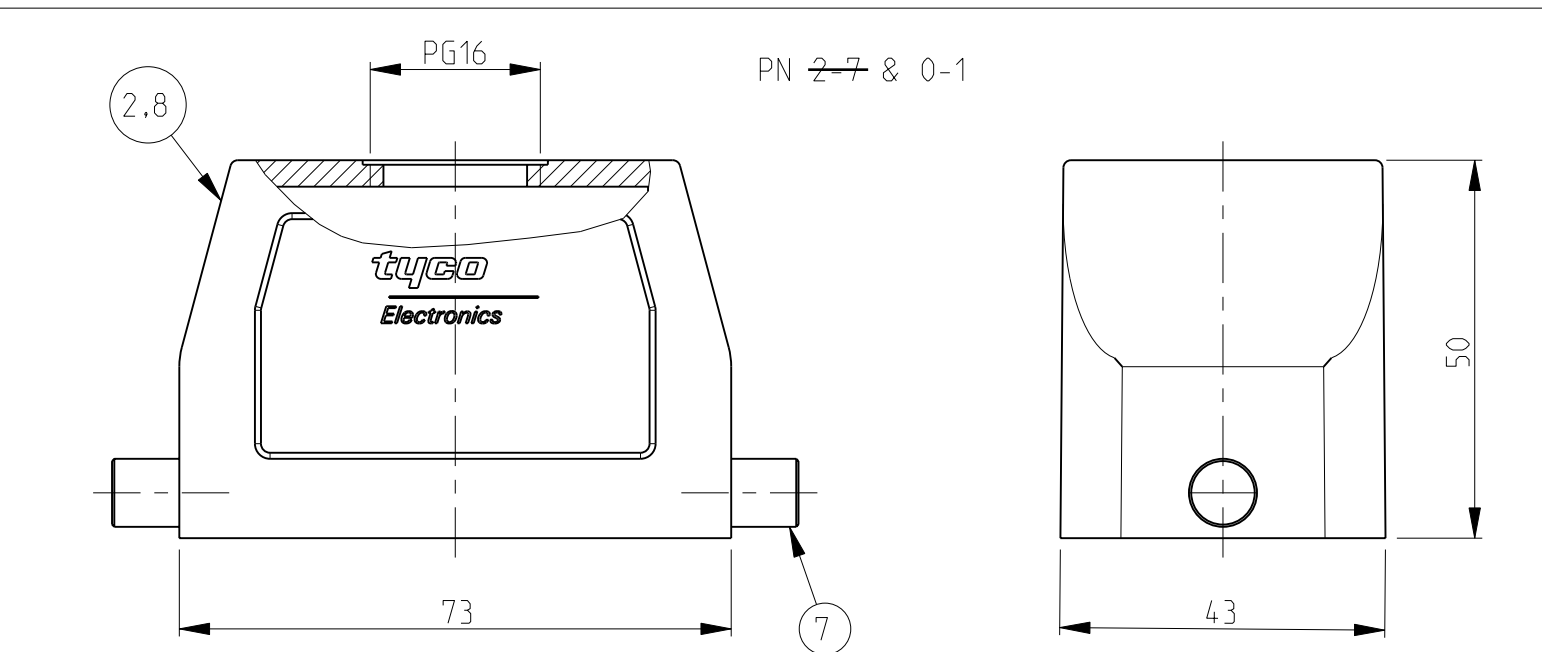
THIS DRAWING IS UNPUBLISHED. RELEASED FOR PUBLICATION .1997
 © COPYRIGHT 1997 BY TYCO ELECTRONICS CORPORATION. ALL RIGHTS RESERVED.

REVISIONS					
P	LTR	DESCRIPTION	DATE	DWN	APVD
A8	ECR-17-013084		29MAR18	SG	MKO

- NOTES.
- Material:Housing:Aluminium Diecasting Alloy
 - Surface-Powder Varnish Grey
-Aluminium Oxide +
Varnish Black
 - Varnish on the inside not necessary
 - Packaging
Quantity 5 Pieces in a box
 - Packaging
Quantity 50 Pieces in a kanban box



QTY	DESCRIPTION	MATERIAL	SURFACE	COLOR	ITEM NO	NOTES
1	HB Hood	Aluminium		Grey	9	
1	HB-K Hood	Aluminium	Aluminium oxide	Black	8	
2	LB-Clip bolt	Stainless steel	Blank		7	
2	LB-Clip bolt	Steel	Zinc plated	Blue	6	
2	VS-Locking clip	Stainless steel	Blank		5	
2	VS-Locking clip	Steel	Zinc plated	Blue	4	
4	VS-Clip bolt	Stainless steel	Blank		3	
1	HB-K Hood	Aluminium	Aluminium oxide	Black	2	
1	HB Hood	Aluminium		Grey	1	



THIS DRAWING IS A CONTROLLED DOCUMENT FOR TYCO ELECTRONICS CORPORATION IT IS SUBJECT TO CHANGE AND THE CONTROLLING ENGINEERING ORGANIZATION SHOULD BE CONTACTED FOR THE LATEST REVISION.

DWN Schneider 19.05.2001
 CHK Schweiger 19.05.2001
 APVD -
 PRODUCT SPEC -
 APPLICATION SPEC -
 WEIGHT -
 CUSTOMER DRAWING

TE Connectivity
 NAME Hood HB.10
 SIZE A2 CAGE CODE 00779 DRAWING NO C=1102267 RESTRICTED TO -
 SCALE 1:1 SHEET 1 OF 1 REV A8

DIMENSIONS: mm
 TOLERANCES UNLESS OTHERWISE SPECIFIED:
 0 PLC ±
 1 PLC ±
 2 PLC ±
 3 PLC ±
 4 PLC ±
 ANGLES ±
 FINISH

1102267

A