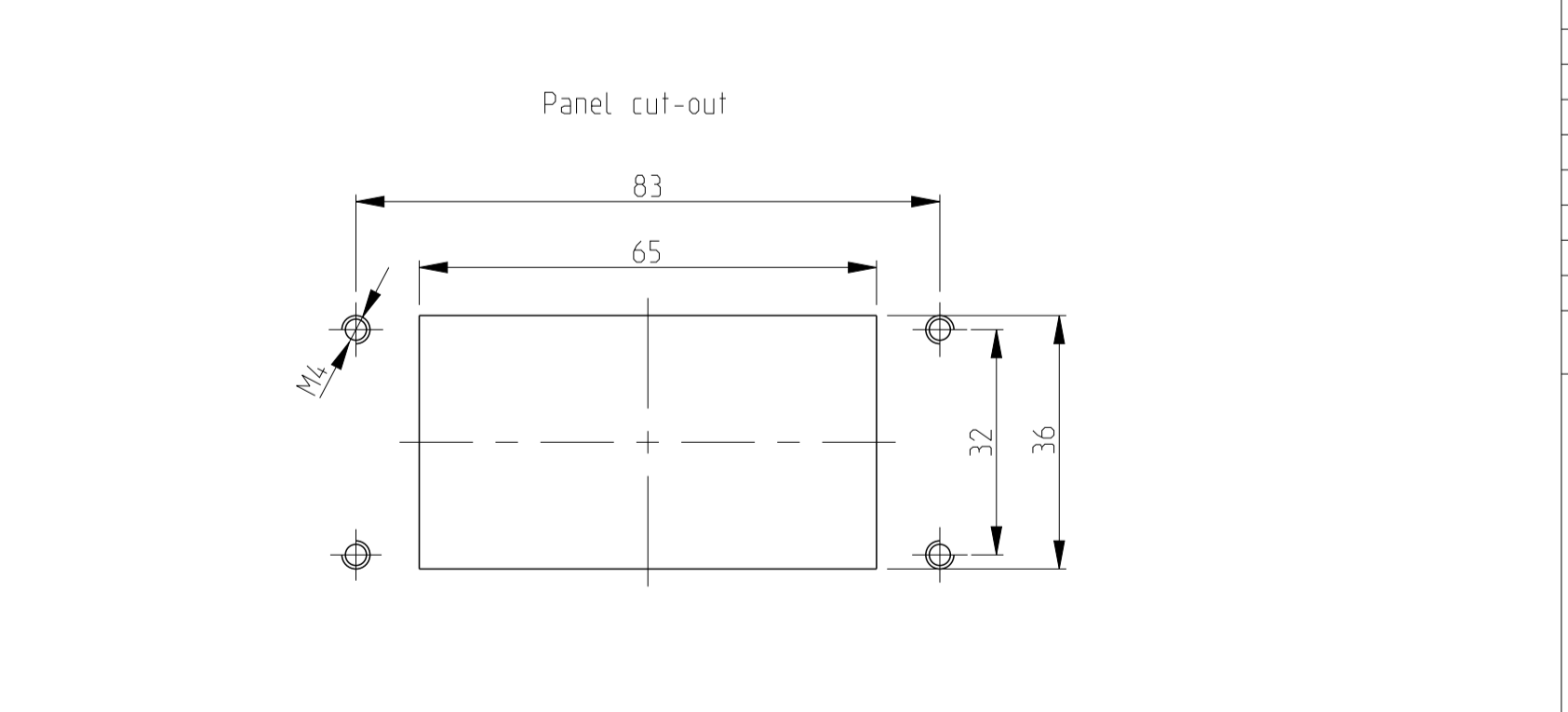
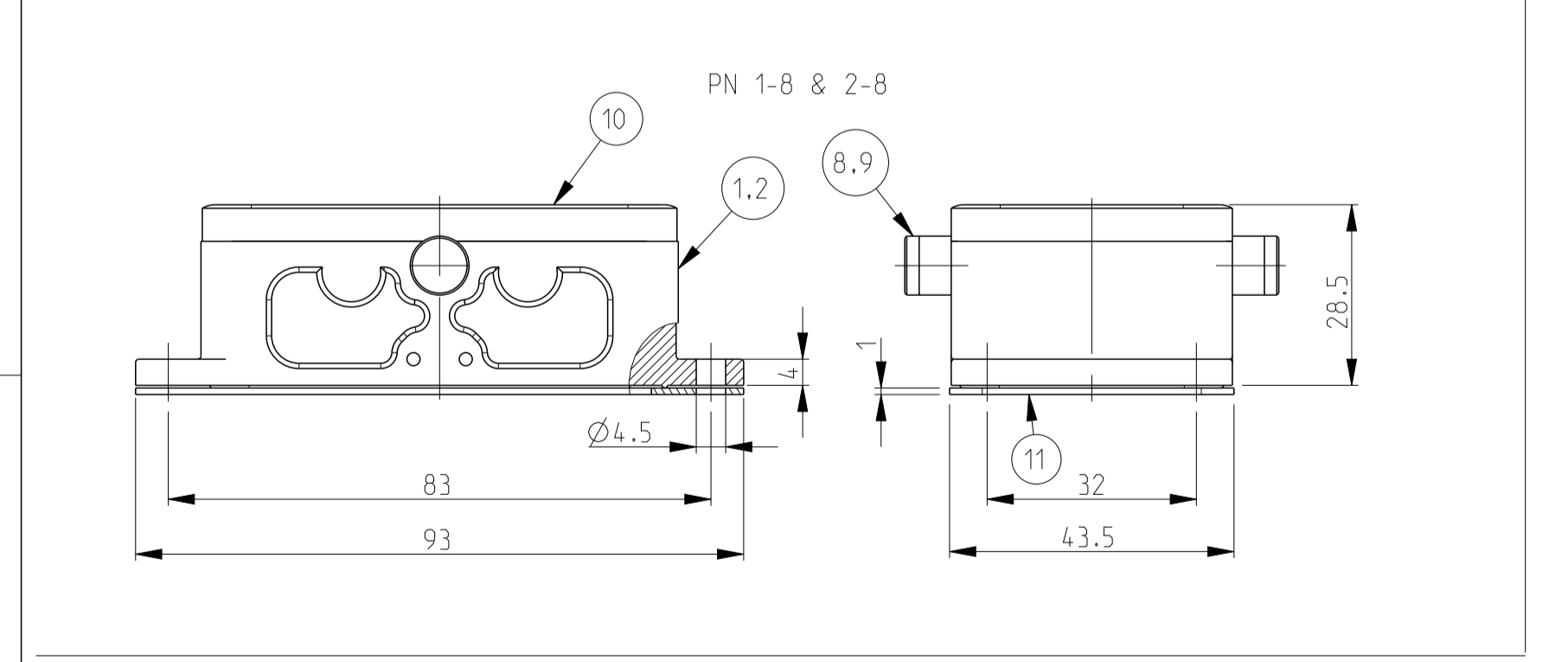
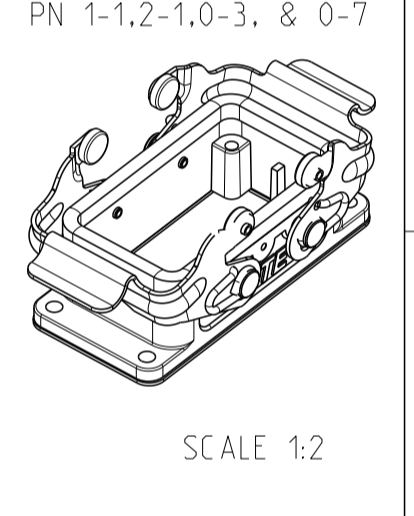
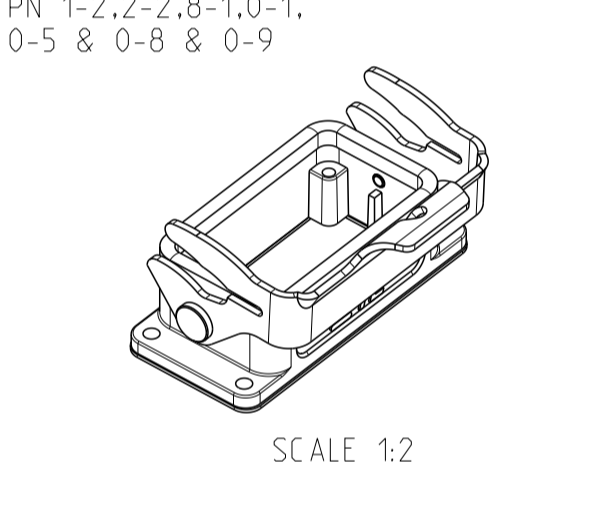
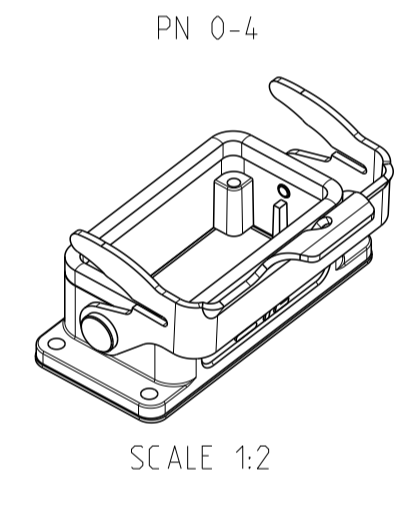
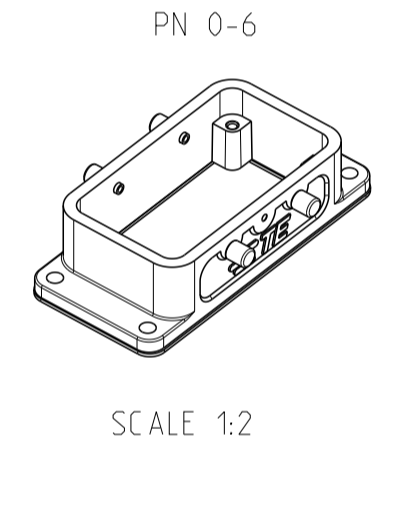
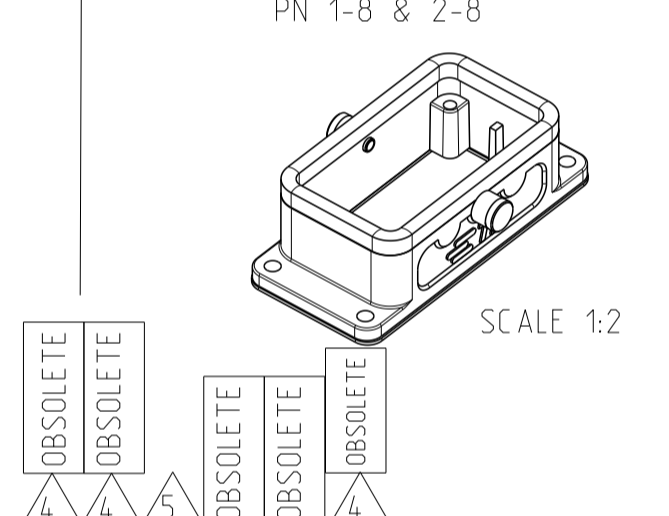
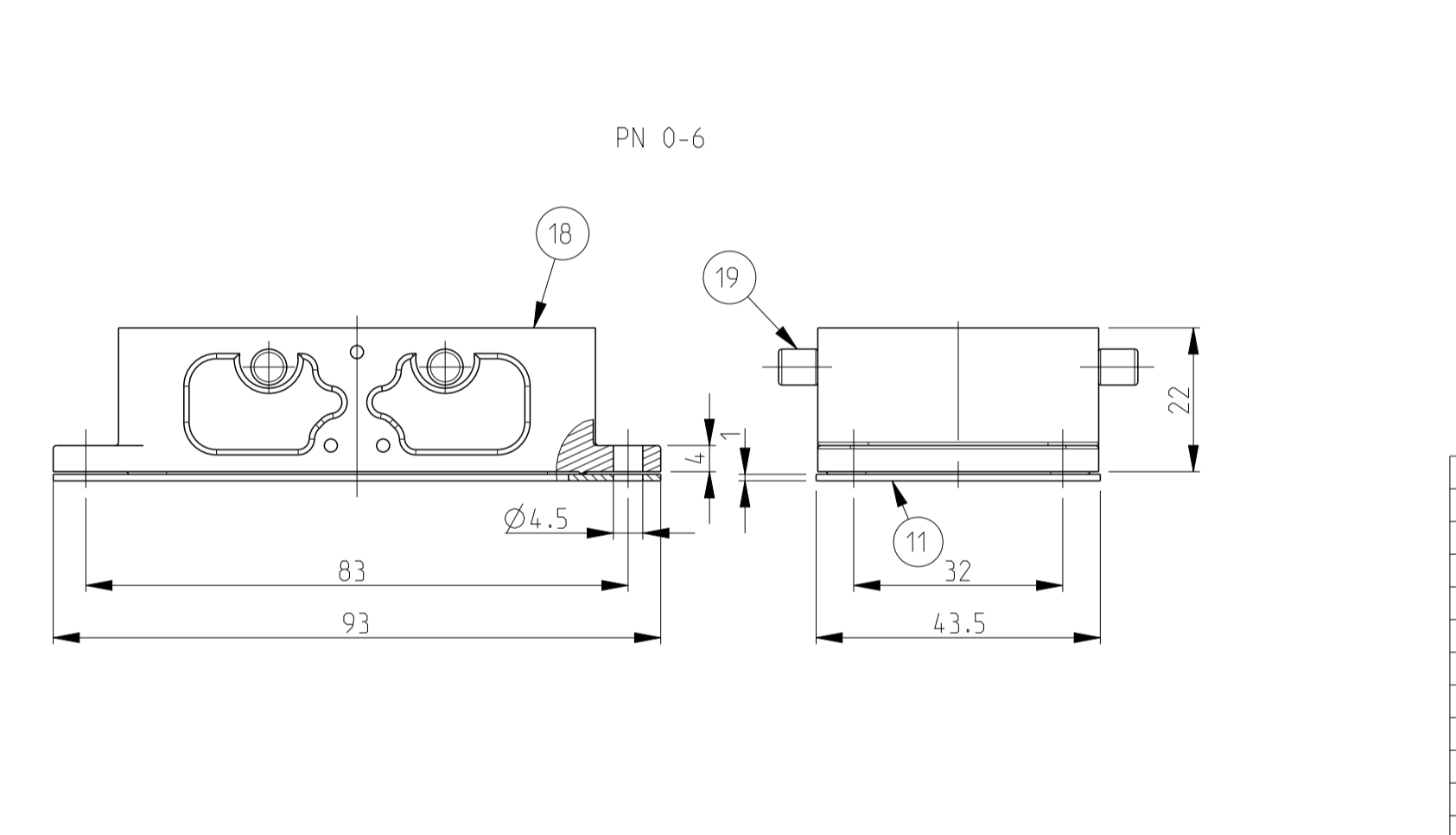
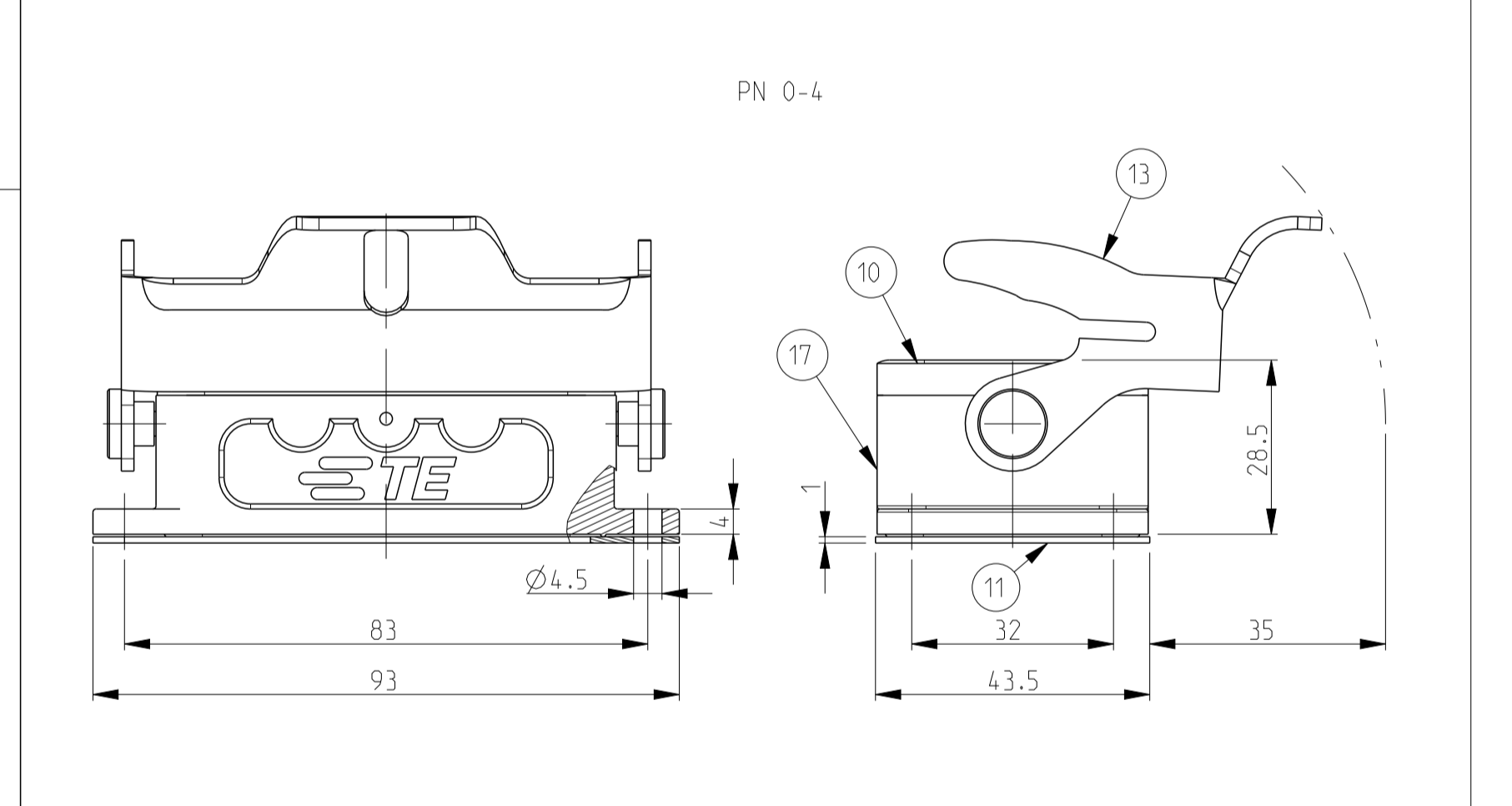
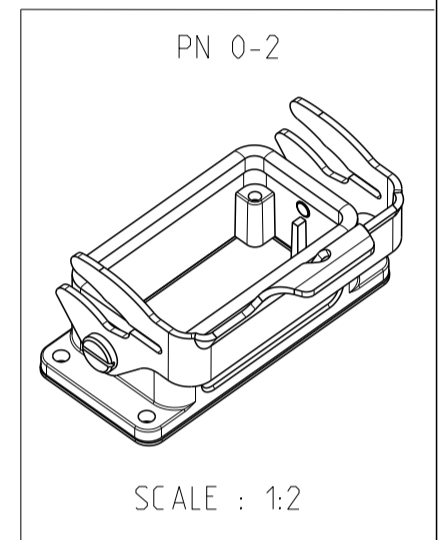
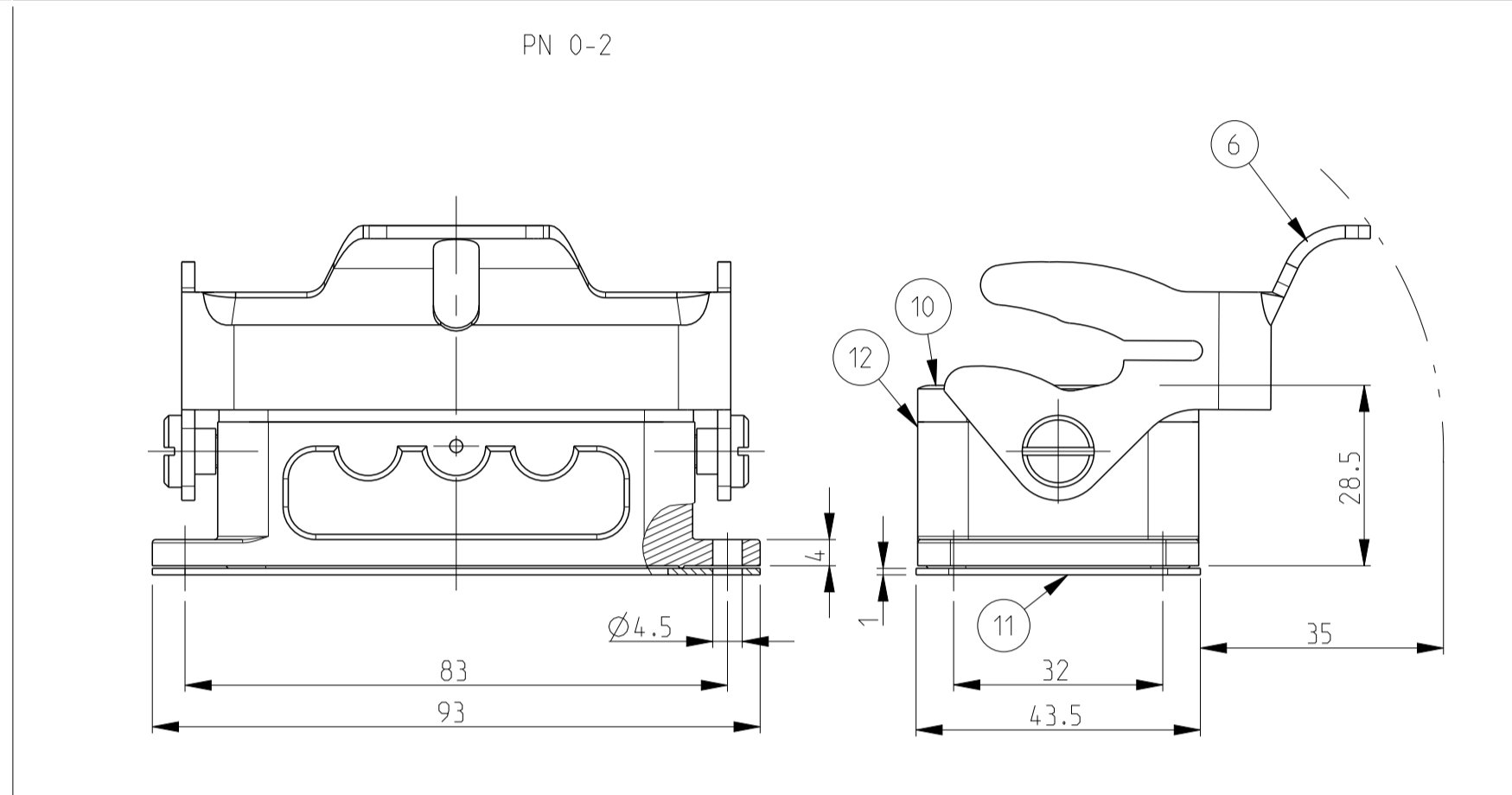
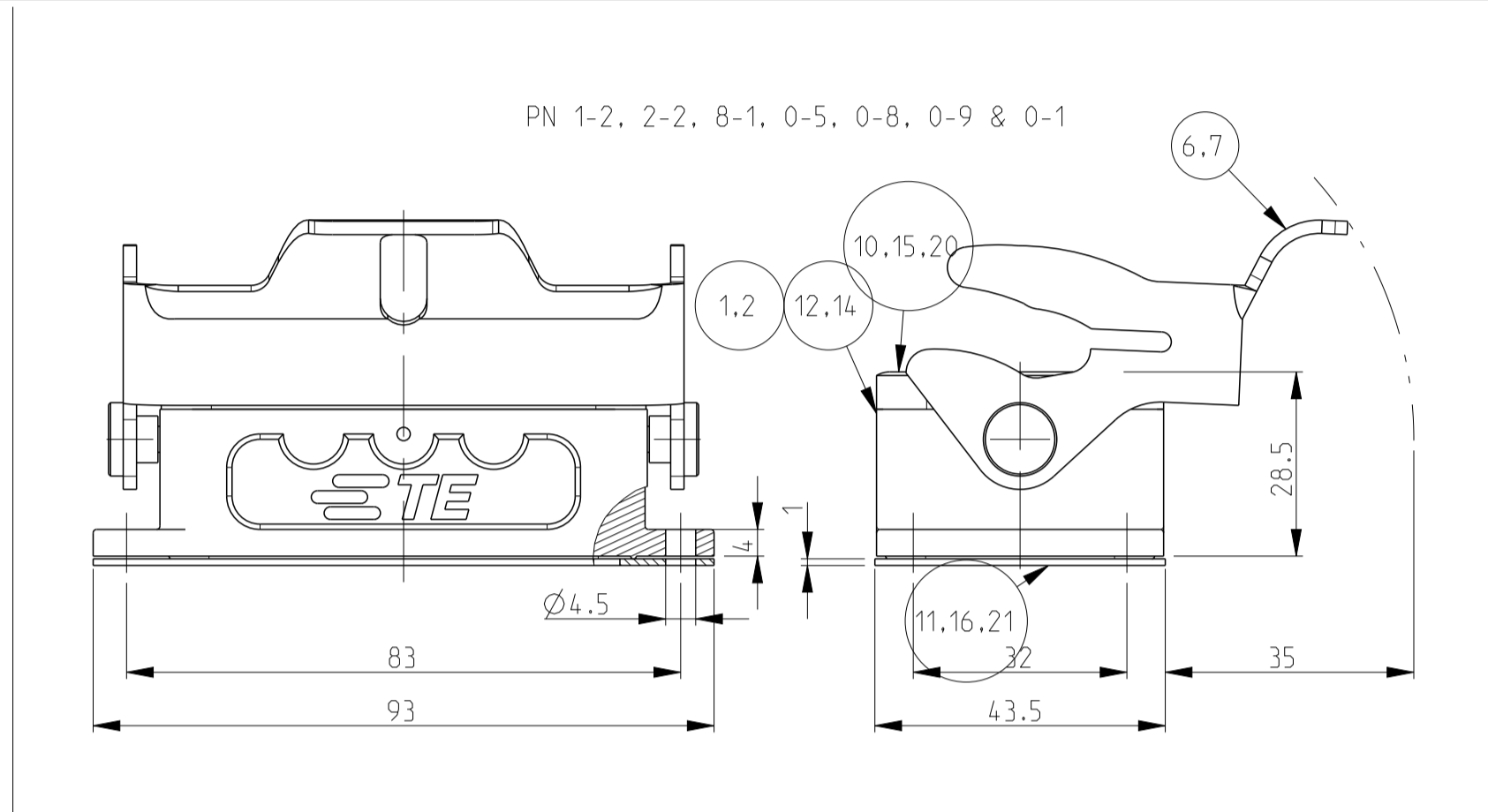
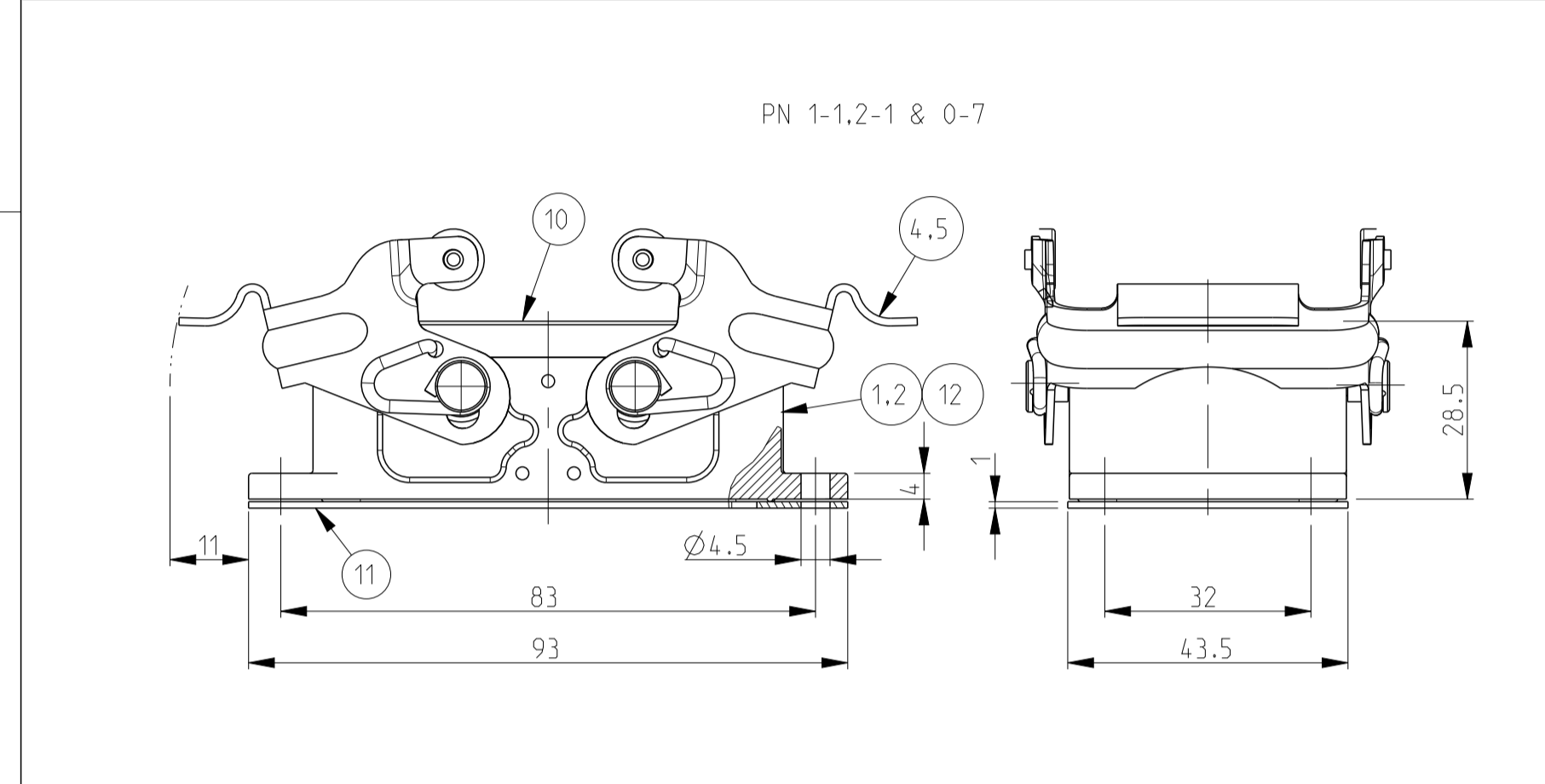


LOC	DIST	REVISIONS			
P	LTN	DESCRIPTION	DATE	DWN	APVD
B3		ECR-17-013084	29MAR2018	SG	MKO

- 1 Material: Housing: Aluminium Diecasting Alloy
Seals: Neoprene
- 2 Varnish on the inside not necessary
- 3 Packaging
packaging quantity 5 pieces in a box
- 4 Special design
- 5 Special packaging 50 pieces



QTY	DESCRIPTION	MATERIAL	SURFACE	COLOR	ITEM NO	NOTES
1	Flange seal				21	
1	Profile seal				20	
1	Clip bolt-VS	Steel	Zinc plated	Blue	19	
1	Surface mounted housing bottom entry HB	Aluminium		Grey	18	
1	Surface mounted housing bottom entry HB	Aluminium		Grey	17	Grey 120-160µm
1	Flange seal	Neoprene			16	Conductive
1	Profile seal	Neoprene			15	Conductive
1	Surface mounted housing bottom entry HB	Aluminium		Without varnish	14	
1	Side clip-LB	Steel	Zinc plated	Blue	13	
1	Surface mounted housing bottom entry HB	Aluminium		Grey	12	Without logo
1	Flange seal	Neoprene		Black	11	
1	Profile seal	Neoprene		Black	10	
1	Clip bolt-ZB	Stainless steel			9	
1	Clip bolt-ZB	Steel	Zinc plated	Blue	8	
1	Side clip-LB	Stainless steel	Blank		7	
1	Side clip-LB	Steel	Zinc plated	Blue	6	
1	Locking clip-VS	Stainless steel			5	
1	Locking clip-VS	Steel	Zinc plated	Blue	4	
1	Surface mounted housing bottom entry HB	Aluminium		Without varnish	3	
1	Surface mounted housing bottom entry HB-K	Aluminium	Aluminium oxide	Black	2	
1	Surface mounted housing bottom entry HB	Aluminium		Grey	1	

ORDERING TEXT

HB-10.AG-VS
 HB-K.10.AG-VS
 HB-10.AG-LB
 HB-K.10.AG-LB
 HB-Z.10.AG-ZVGR
 HB-K/Z.10.AG-ZVGR
 HB-10.AG-LB
 HB-10.AG-LB
 HB-10.AG-LB
 HB-EMV.10.AG-LB
 HB-10.AG-VS
 HB-10.AG-VS
 HB-10.AG-LB
 HB-10.AG-LB

THIS DRAWING IS A CONTROLLED DOCUMENT. DWN: Schweiger 23.07.1997
 CHK: Krämer 23.06.1998

STE TE Connectivity

NAME: Surface Mounted Housing Bottom Entry HB.10

PRODUCT SPEC: 108-74.001/74.003
 APPLICATION SPEC: 114-74.001/74.004/74.005

SIZE: A1 CAGE CODE: 00779 DRAWING NO: 1102271
 SHEET 1 OF 1 REV: B3

CUSTOMER DRAWING SCALE: 1:1