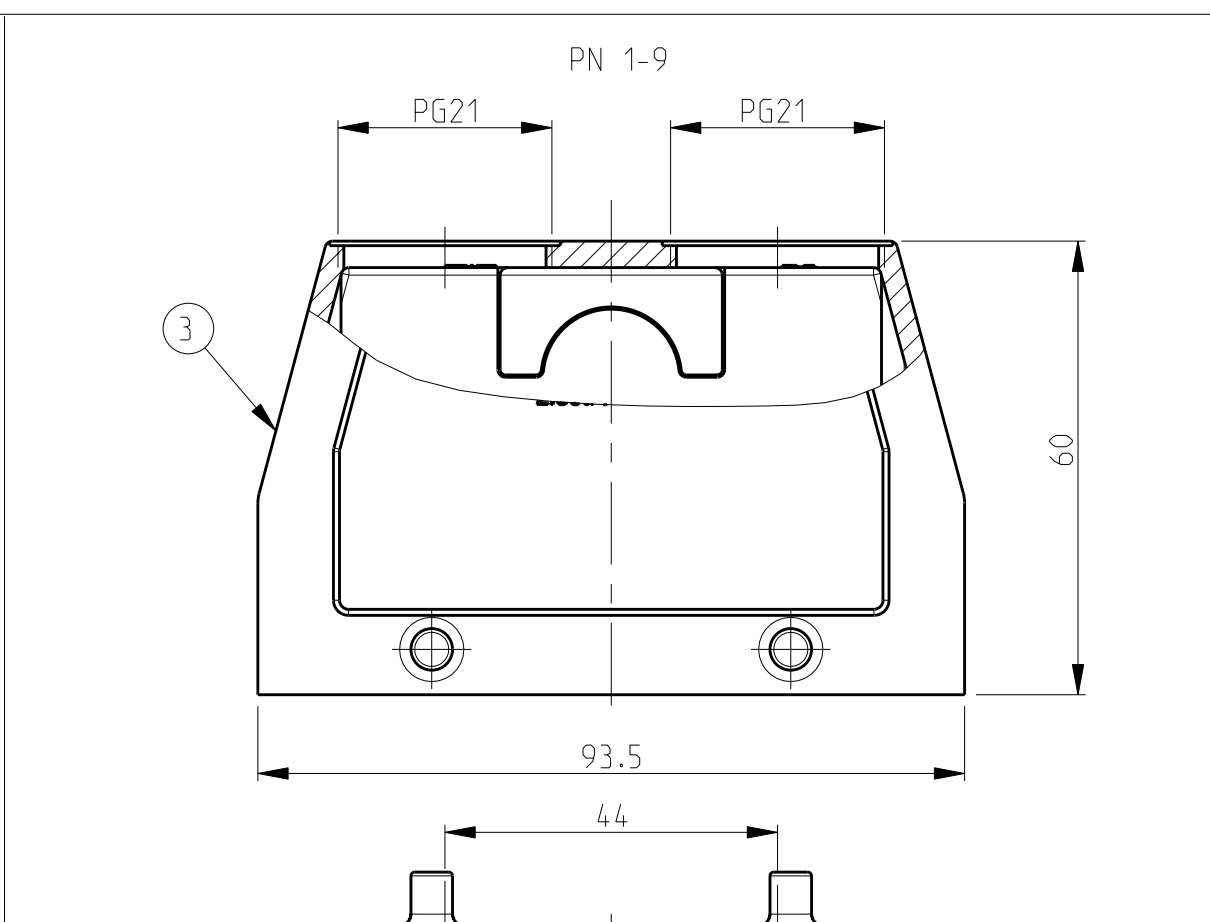
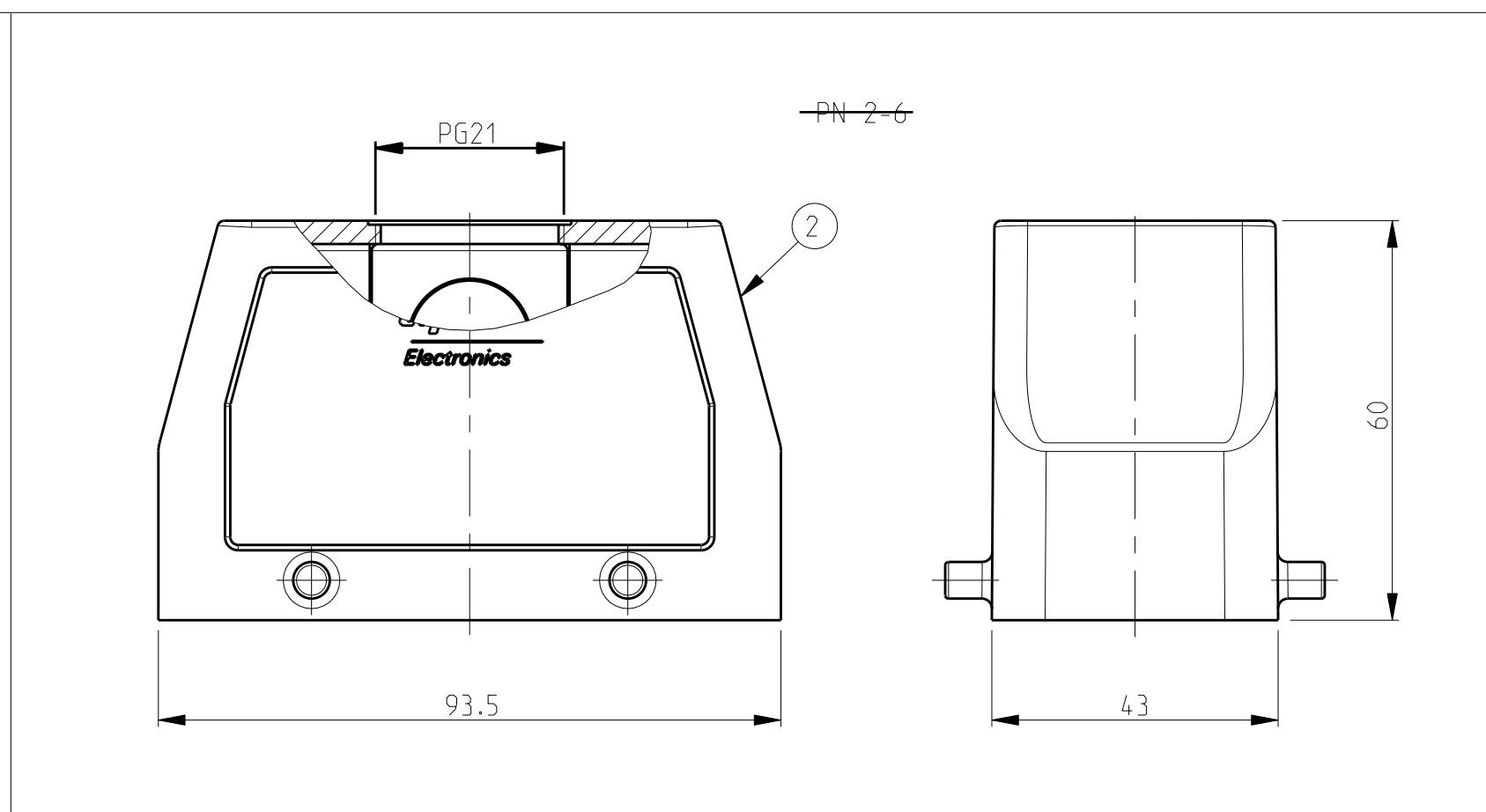
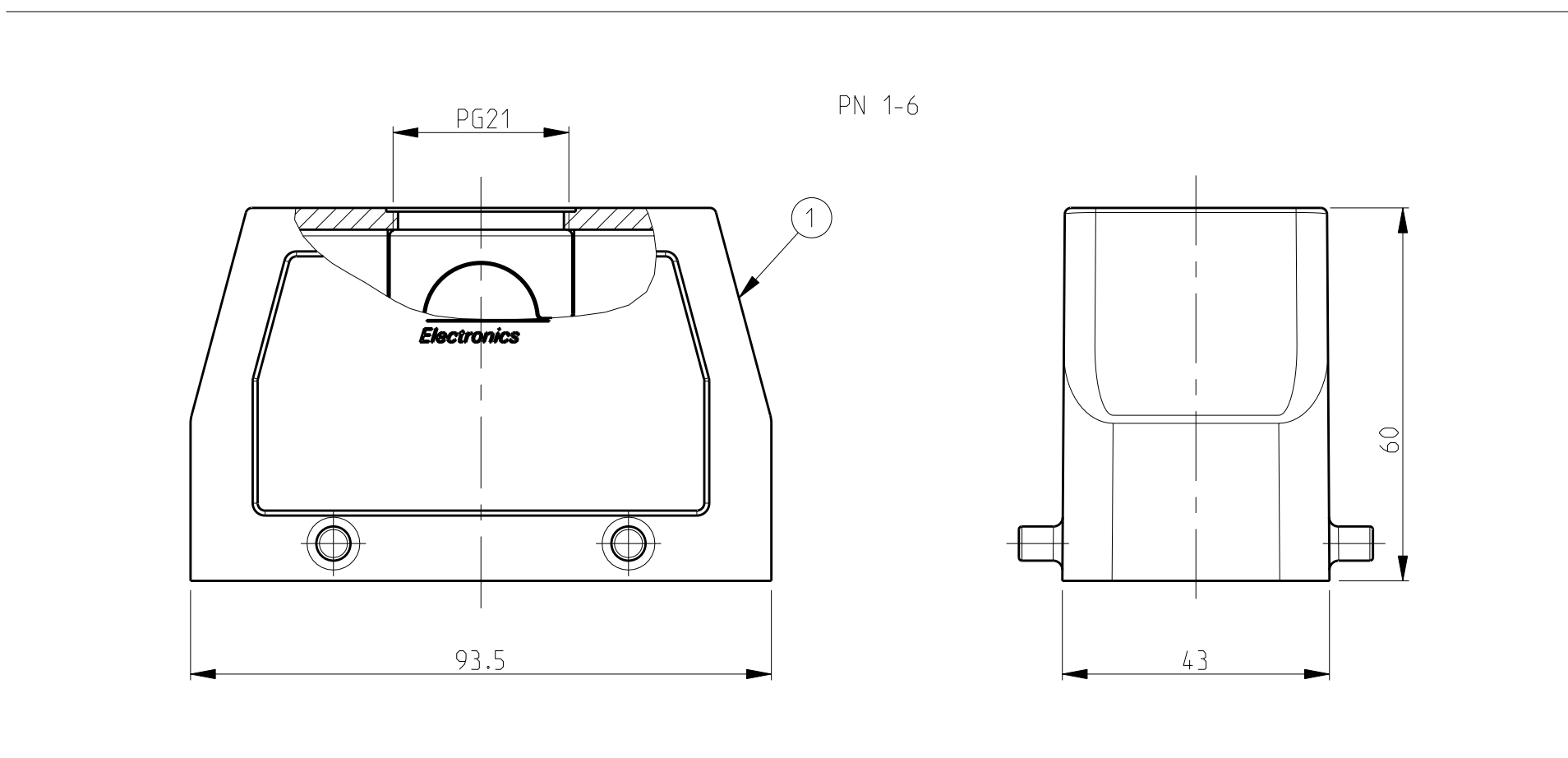
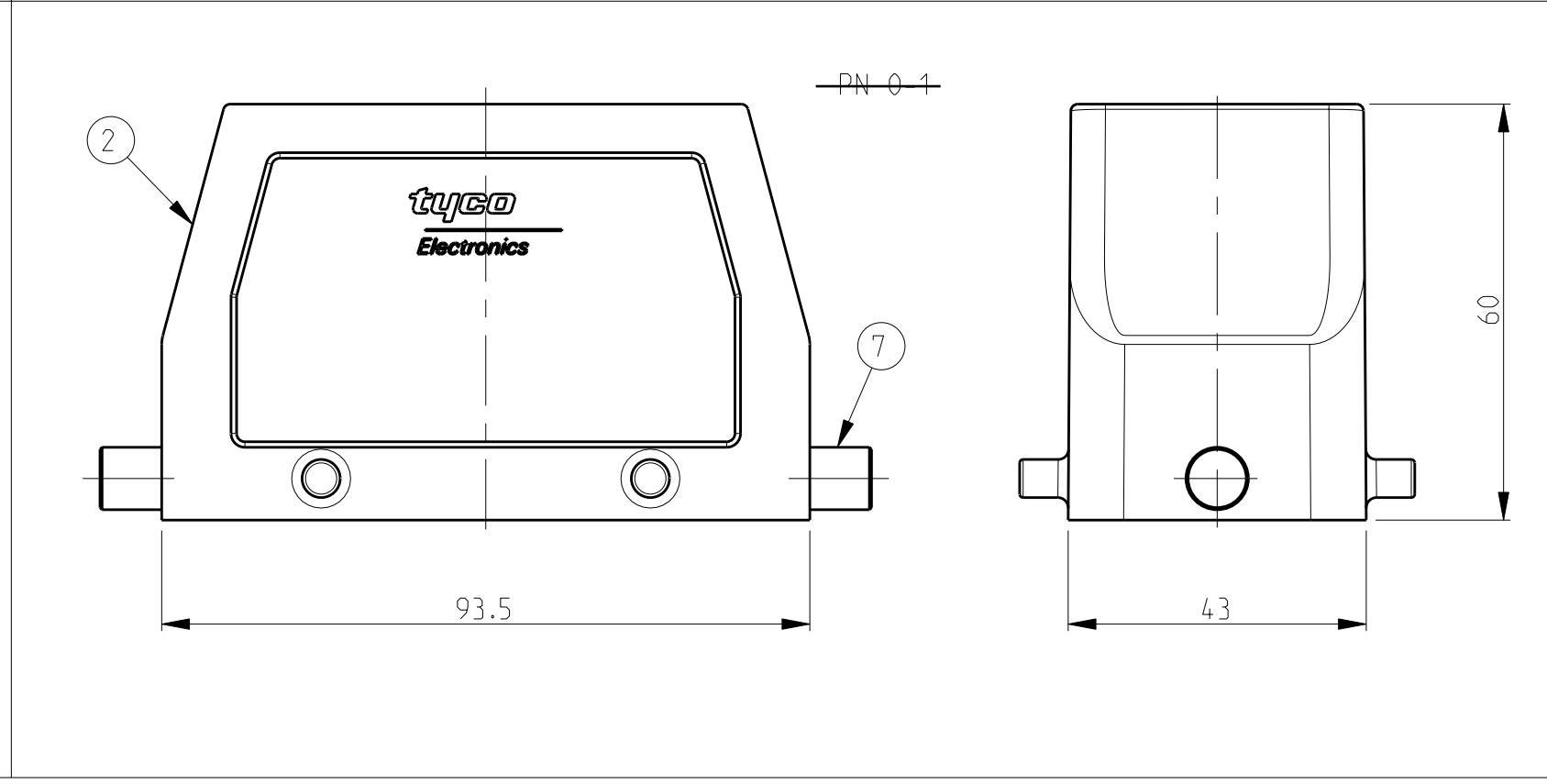
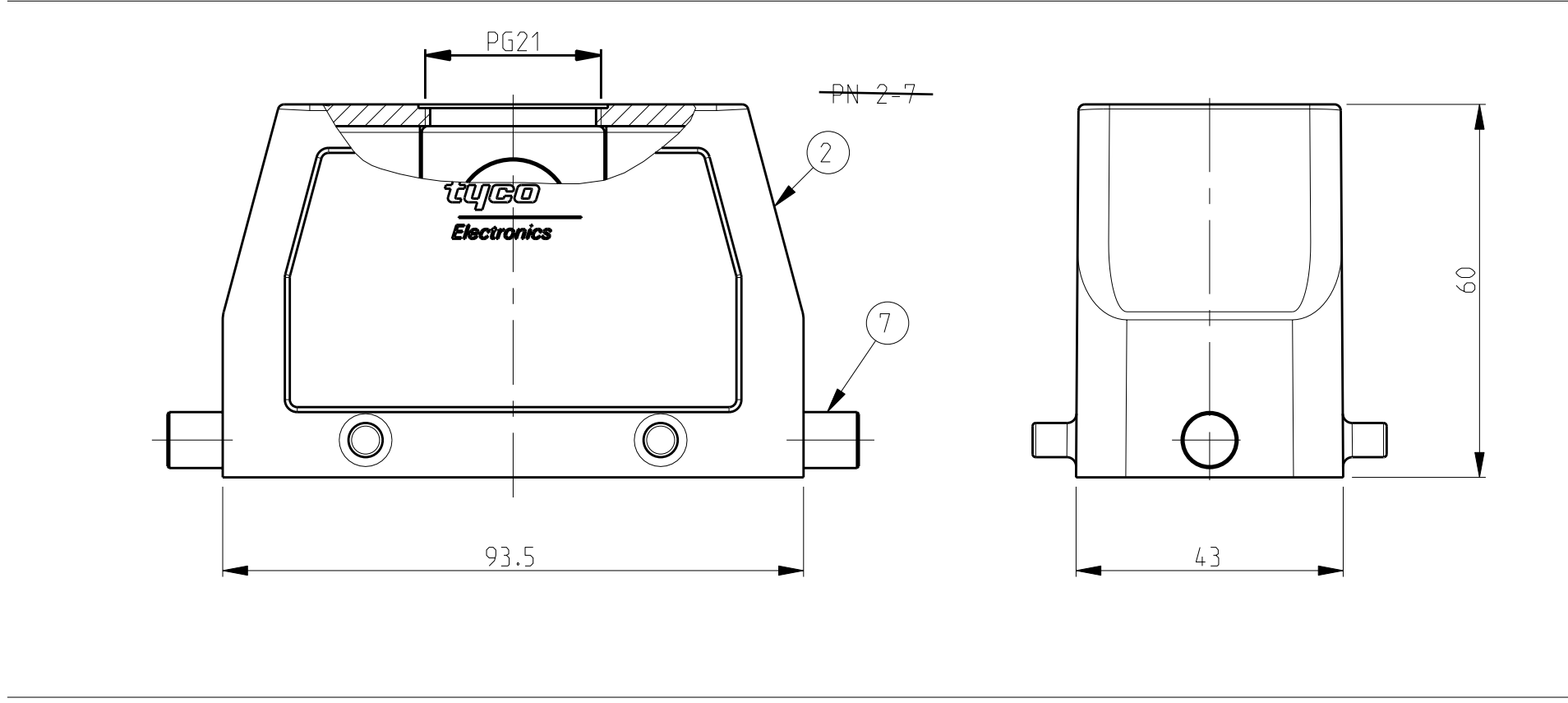
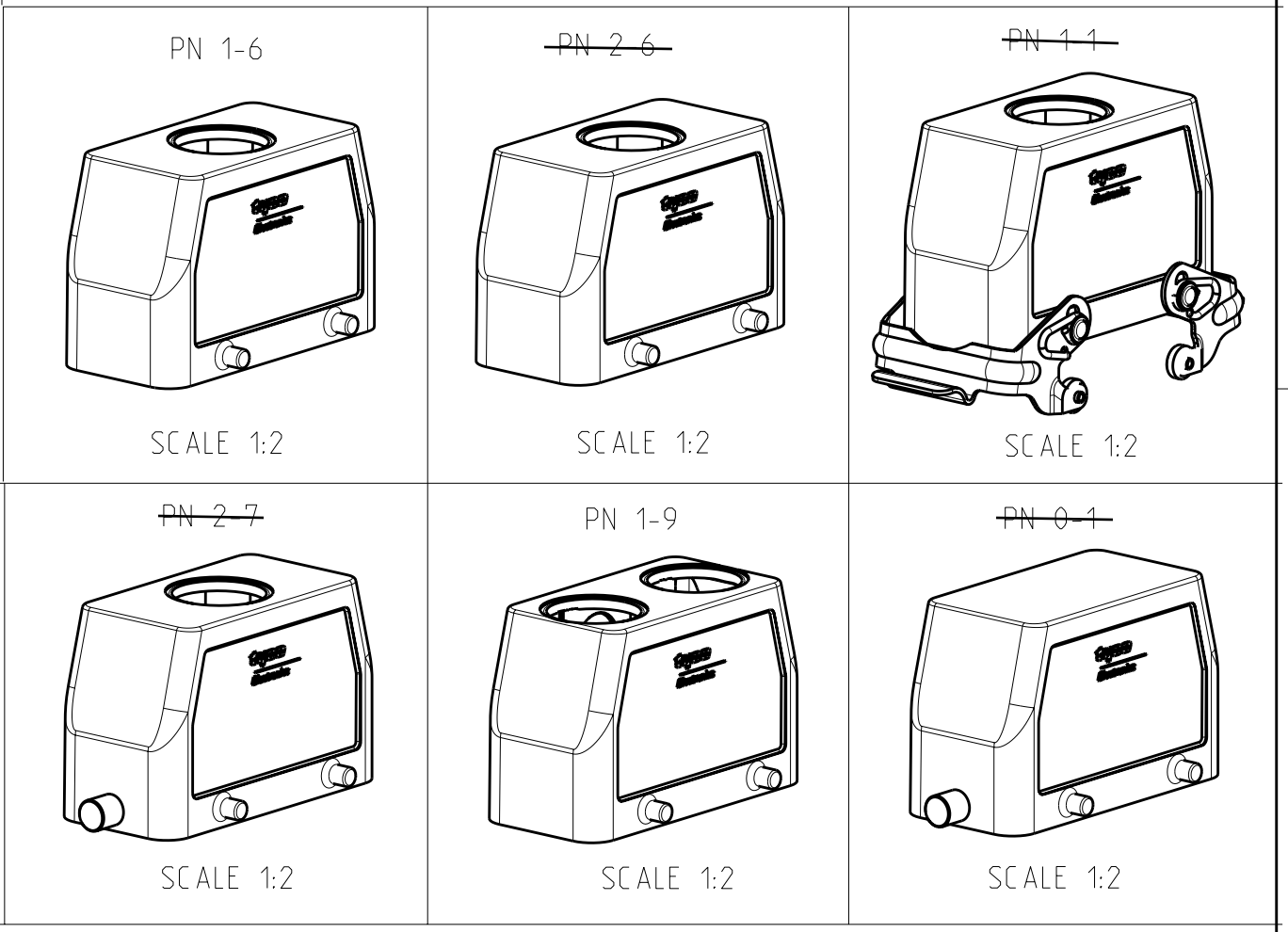
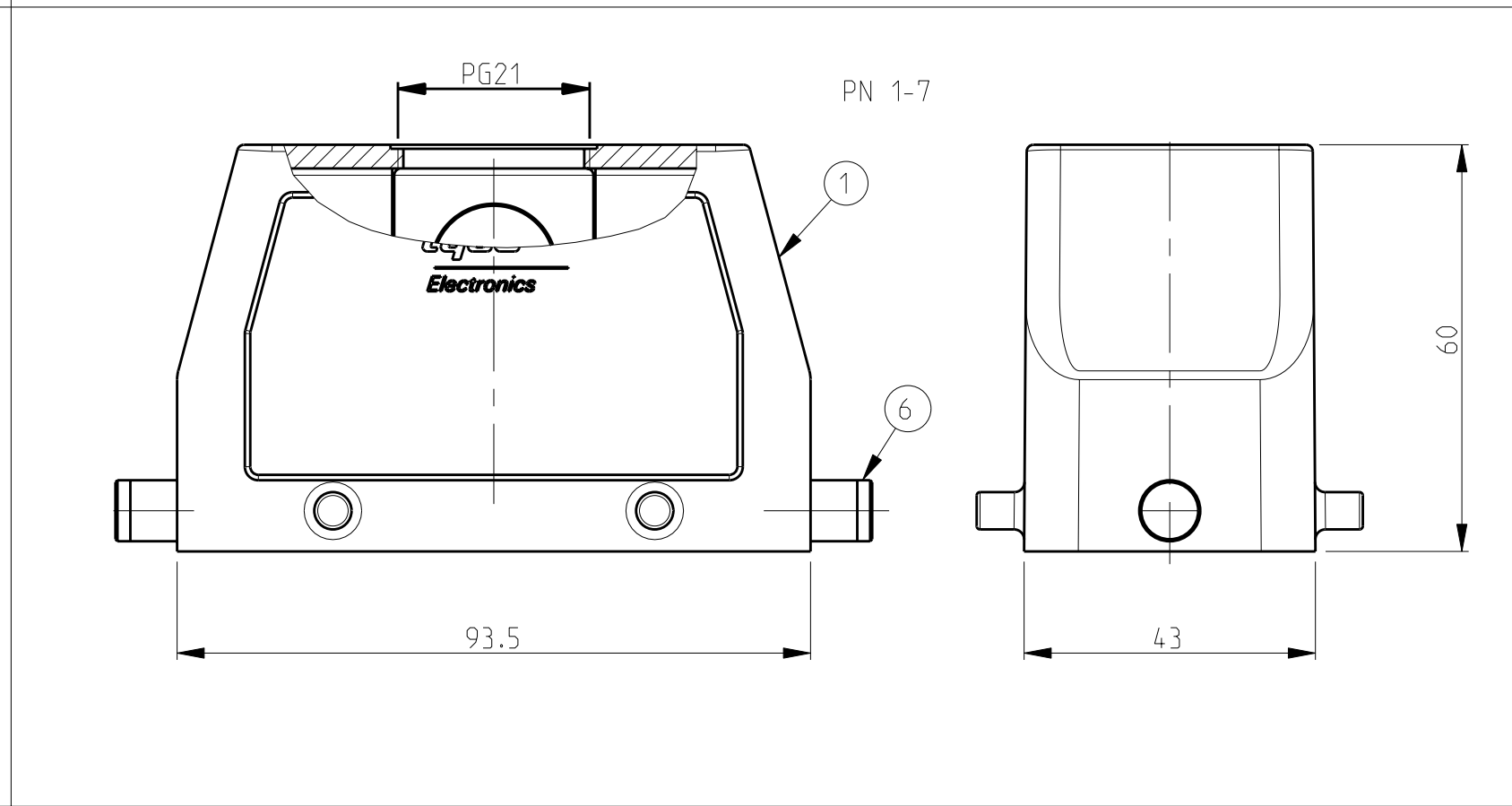
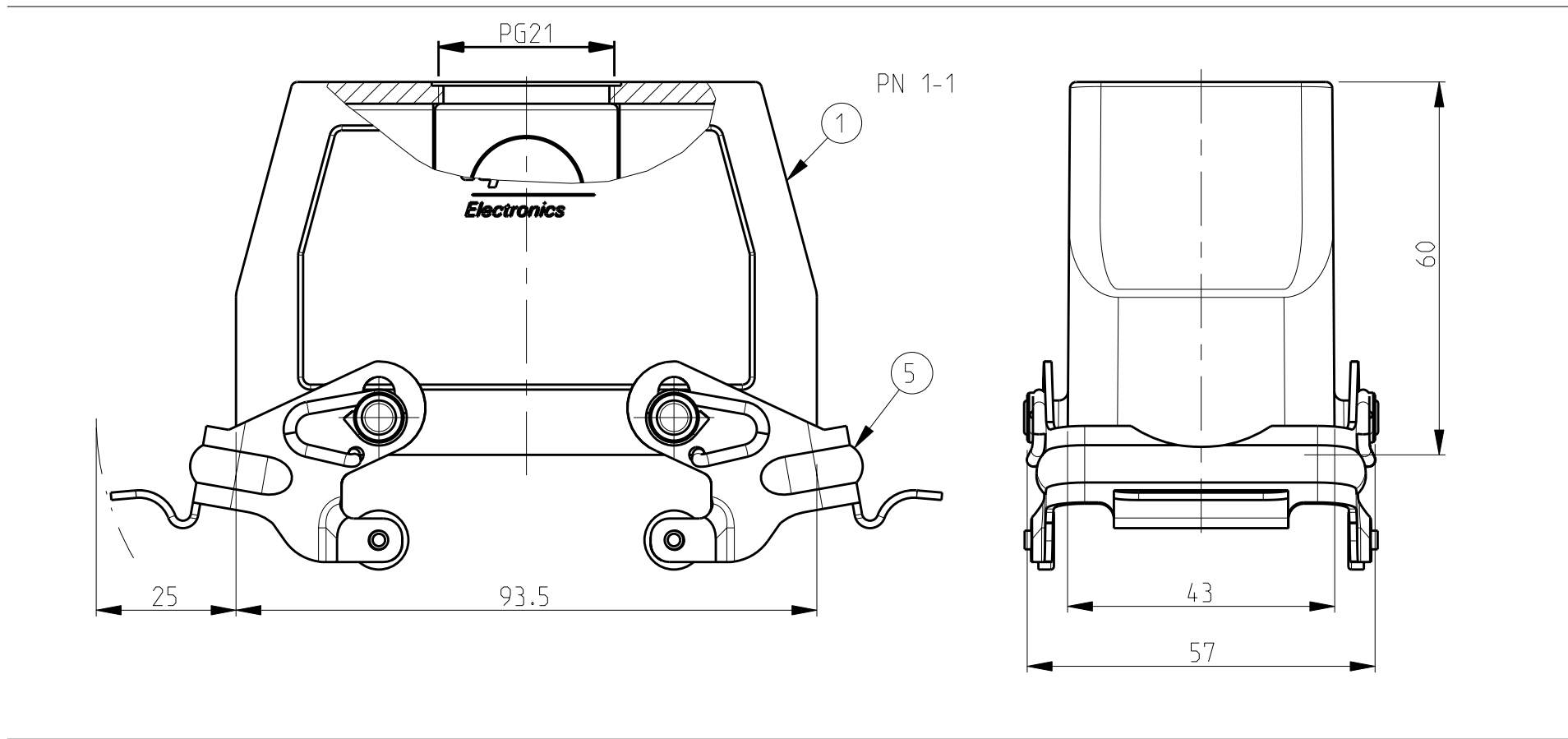


LOC	DIST	REVISIONS			
P	LTR	DESCRIPTION	DATE	OWN	APVD
A5		REVISED PER ECR-16-016768	24JAN2018	SRG	MKO
A6		ECR-17-013084	29MAR18	SG	MKO



- NOTES
- 1 Material: Housing: aluminium diecasting alloy
 - 2 Surface:- Varnish grey
Aluminium oxide+Varnish Black
 - 3 Varnish on the inside not necessary
 - 4 Packaging
Packaging quantity 5 piece in a box



QTY	DESCRIPTION	MATERIAL	SURFACE	COLOR	ITEM NO	NOTES
2	LB-clip bolt	Stainless steel	Blank		7	
2	LB-clip bolt	Steel	Zinc plated	Blue	6	
2	VS-Locking clip	Steel	Zinc plated	Blue	5	
1	VS-Clip positioner	Stainless steel	Blank		4	
1	HB Hood	Aluminium		Grey	3	2xPg21
1	HB-K Hood	Aluminium	Aluminium oxide	Black	2	
1	HB Hood	Aluminium		Grey	1	

ORDERING TEXT

HB.16.ST0.1.21.G
 HB.K.16.ST0.1.21.G
 HB.16.ST0.VS.1.21.G
 HB.16.ST0.GR.1.21.G
 HB.K.16.ST0.GR.1.21.G
 HB.16.ST0.2.21.G
 HB.K.16.ST.GR

DIMENSIONS: mm		TOLERANCES UNLESS OTHERWISE SPECIFIED:		DWN Schneider 10.11.02		TE Connectivity NAME Hood HB.16.ST0.1.21.G	
0 PPR 0.150 1 PLC ±0.150 2 PLC ±0.150 3 PLC ±0.150 4 PCC ±0.150 5 ANGLES ±0.150		0 PPR 0.150 1 PLC ±0.150 2 PLC ±0.150 3 PLC ±0.150 4 PCC ±0.150 5 ANGLES ±0.150		CEN Schneider 10.11.02 APVD - NAME PRODUCT SPEC 108-74.001 108-74.003 APPLICATION SPEC 114-74.001 114-74.004			
MATERIAL		FINISH		WEIGHT		CUSTOMER DRAWING	
				SCALE 1:1		SHEET 1 OF 1 REV. A6	