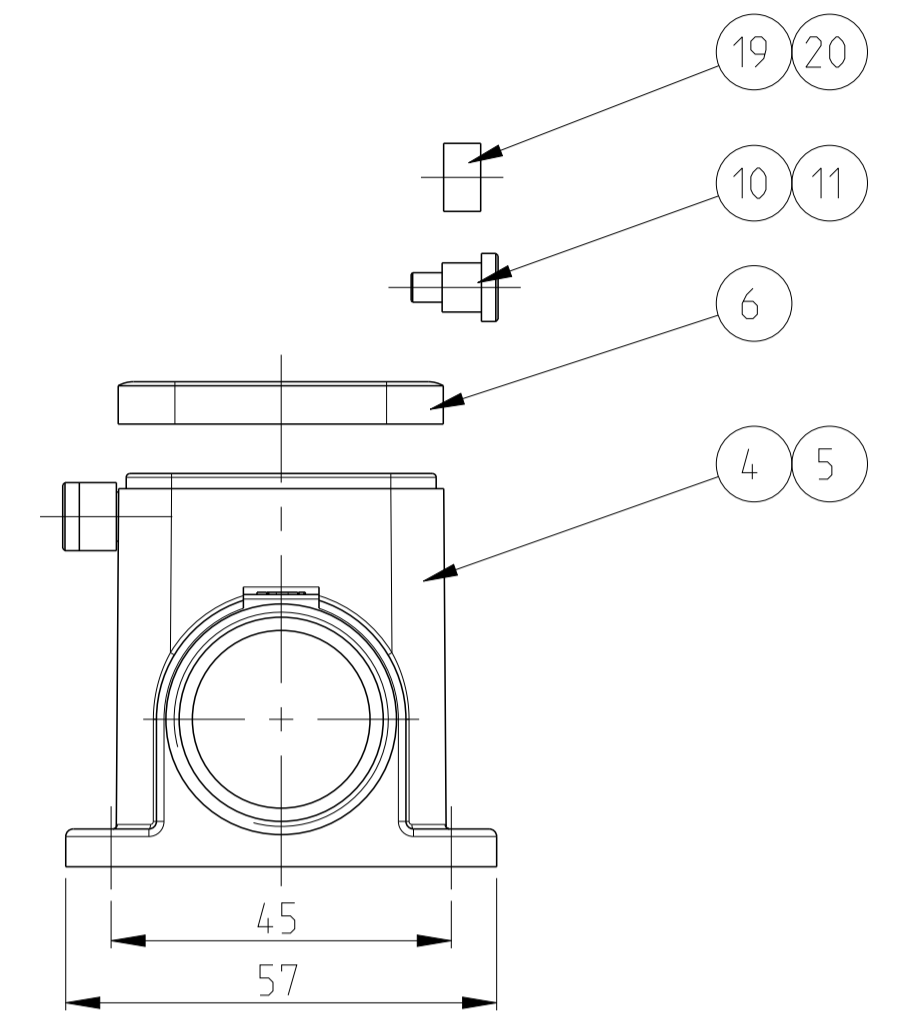
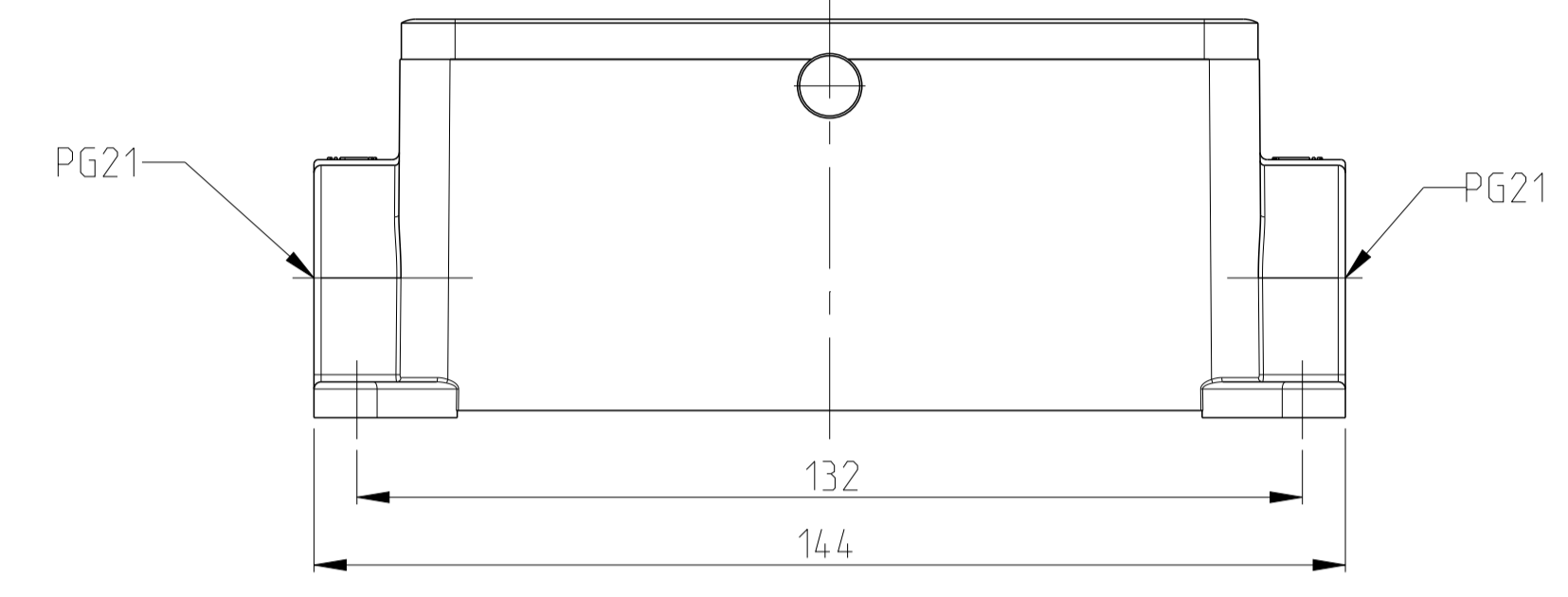
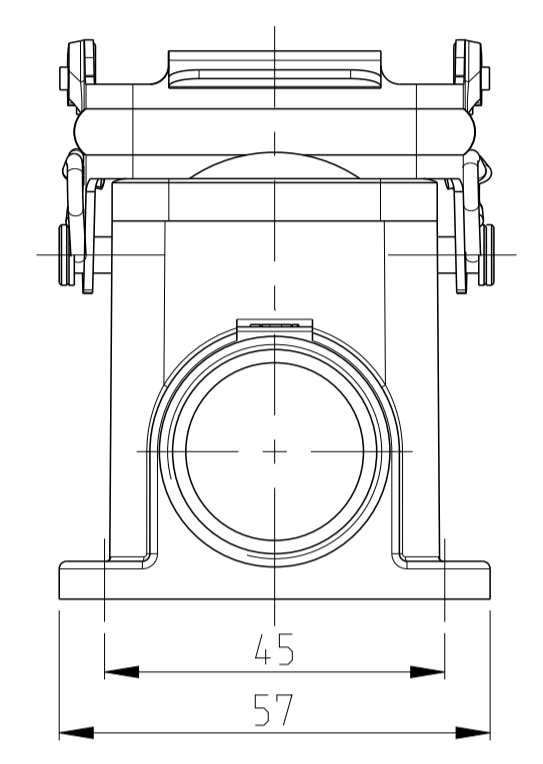
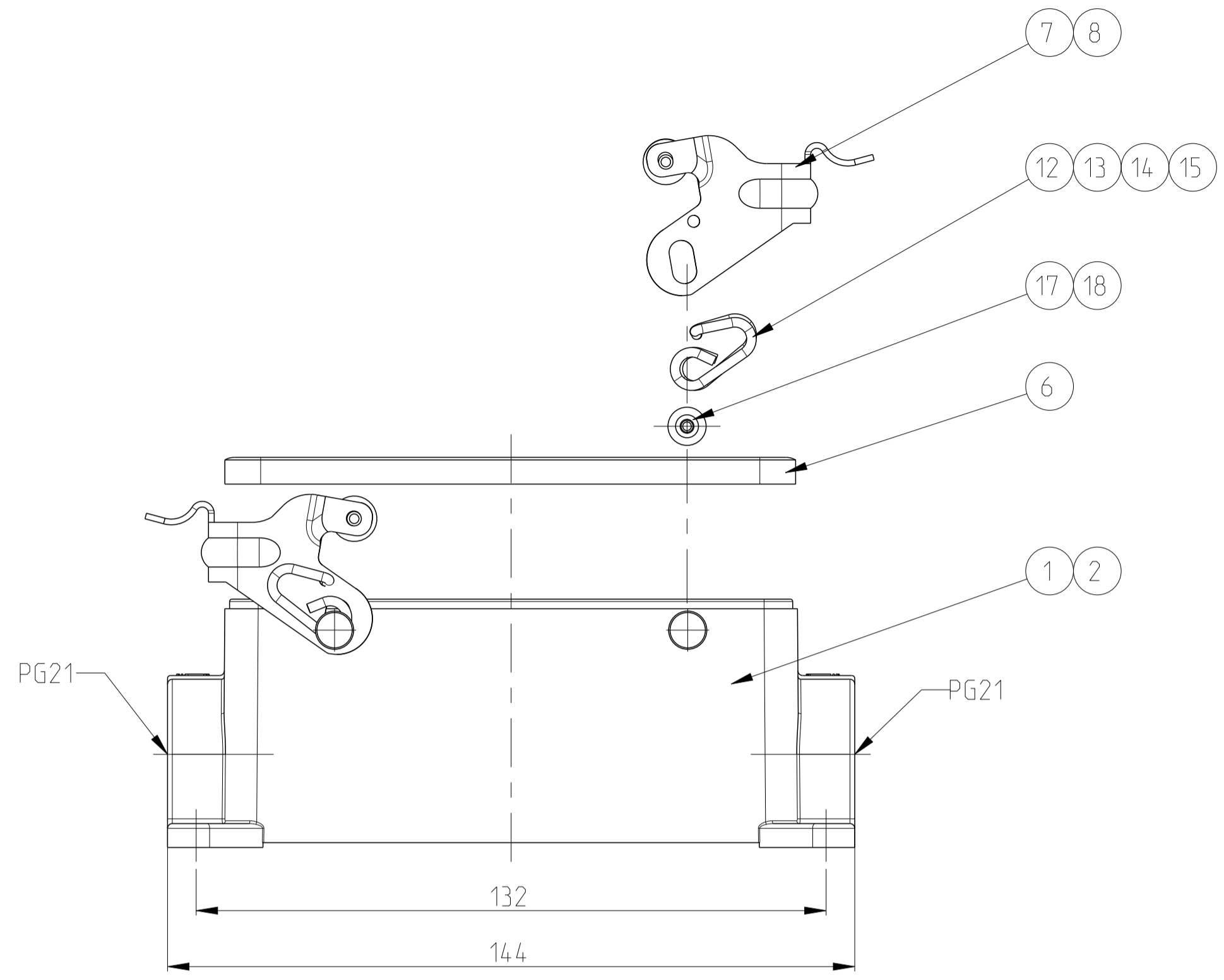
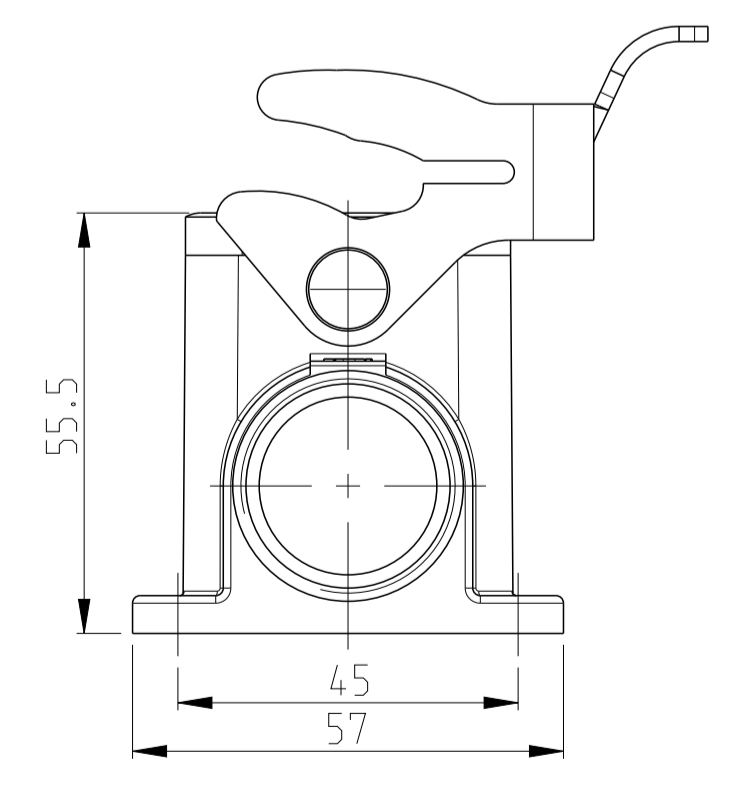
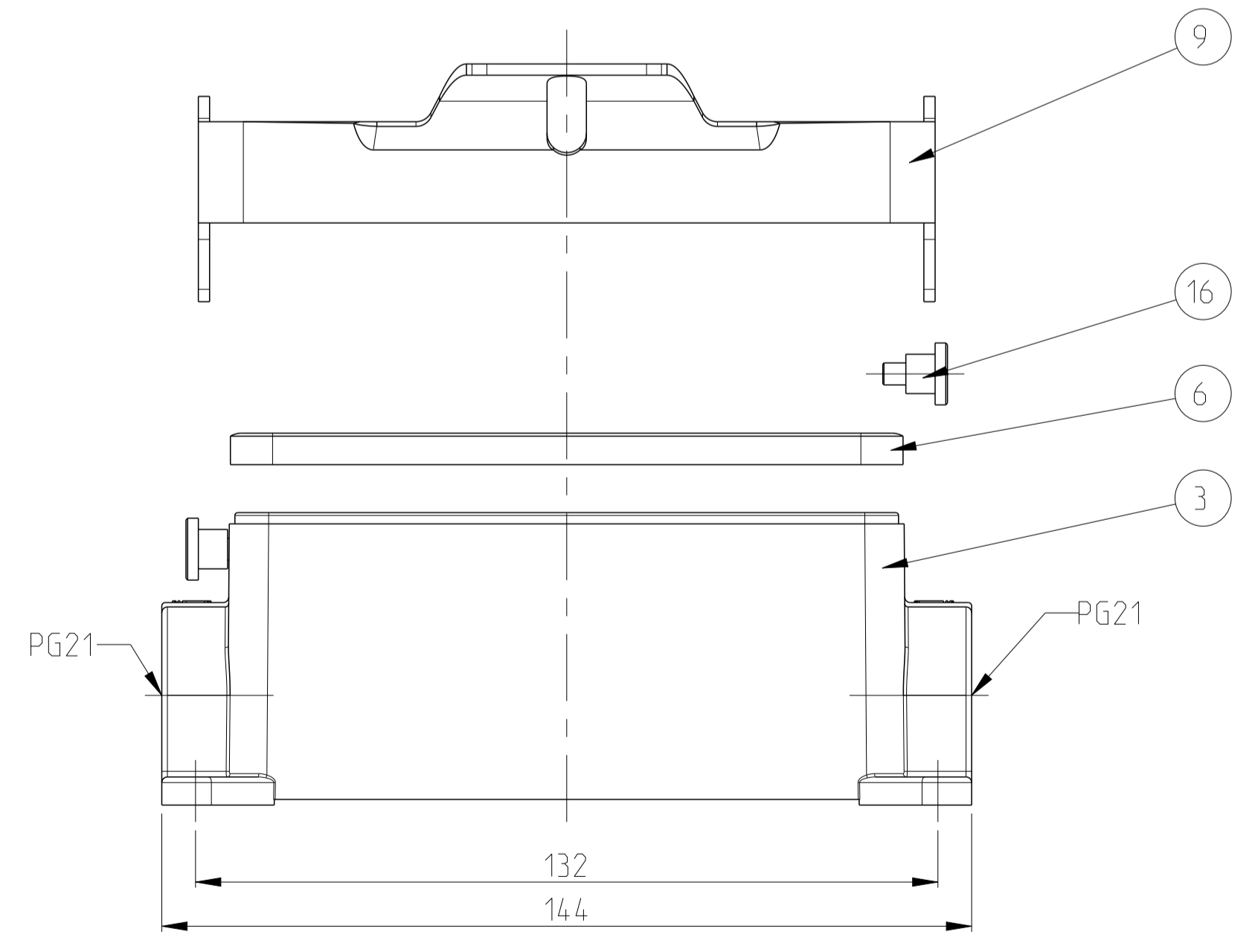


REVISIONS					
P	LTN	DESCRIPTION	DATE	DWN	APVD
A3	ECR-09-013545		05JUN2009	SR	AR
A4	ECR-16-000314		14JAN2016	GEM	JB
A5	REVISED PER ECR-17-013084		12JAN2018	SRG	MKO



NOTES

- 1 PART SHALL BE FREE AND CLEAN OF BURRS AND OTHER FOREIGN MATERIAL
- 2 PACKAGING: QUANTITY 3 PIECES
- 3 VARNISHING INSIDE HOUSING NOT REQUIRED



QTY	OBsolete	OBsolete	OBsolete	OBsolete	DESCRIPTION	MATERIAL	SURFACE	COLORE	ITEM	NOTES
2					SLIDE SPOOL	STAINLESS STEEL	BLANC		20	
		2			SLIDE SPOOL	STEEL	ZINC PLATED	BLUE	19	
			4		LOCKING CLIP	STAINLESS STEEL	BLANC		18	
			4		CLIP POSITIONER	STEEL	ZINC PLATED	BLUE	17	
		2	4		CLIP POSITIONER	STEEL	ZINC PLATED	BLUE	16	
			2		CLIP SPRING RIGHT	STAINLESS STEEL	BLANC		15	
			2		CLIP SPRING RIGHT	STEEL	ZINC PLATED	BLUE	14	
			2		CLIP SPRING LEFT	STAINLESS STEEL	BLANC		13	
			2		CLIP SPRING LEFT	STEEL	ZINC PLATED	BLUE	12	
2					CLIP POSITIONER	STAINLESS STEEL	BLANC		11	
		2			CLIP POSITIONER	STEEL	ZINC PLATED	BLUE	10	
		1			SIDE CLIP	STEEL	ZINC PLATED	BLUE	9	
			2		LOCKING CLIP	STAINLESS STEEL	BLANC		8	
			2		LOCKING CLIP	STEEL	ZINC PLATED	BLUE	7	
1	1	1	1	1	PROFILE SEAL	NEOPRENE		BLACK	6	
1					SURFACE MOUNTED HOUSING SIDE ENTRY	ALUMINIUM	ALUMINIUM OXID	BLACK	5	
					SURFACE MOUNTED HOUSING SIDE ENTRY	ALUMINIUM		GREY	4	
		1			SURFACE MOUNTED HOUSING SIDE ENTRY	ALUMINIUM		GREY	3	
			1		SURFACE MOUNTED HOUSING SIDE ENTRY	ALUMINIUM	ALUMINIUM OXID	BLACK	2	
				1	SURFACE MOUNTED HOUSING SIDE ENTRY	ALUMINIUM		GREY	1	
2-8	1-8	1-2	2-1	1-1	DESCRIPTION	MATERIAL	SURFACE	COLORE	ITEM	NOTES
					HB-24.SG-VS-2.21.Z					
					HB-K-24.SG-VS-2.21.Z					
					HB-24.SG-LB-2.21.Z					
					HB-Z-24.SG-ZVGR-2.21.Z					
					HB-K/Z-24.SG-ZVGR-2.21.Z					

THIS DRAWING IS A CONTROLLED DOCUMENT. DWN: R.SCHNEIDER 05JUN2009  
 CH: T.SCHNURPFEL 05JUN2009

TE Connectivity

PRODUCT NAME: SURFACE MOUNTED HOUSING SIDE ENTRY  
 HB.24.SG.2.21

SIZE: A1 CAGE CODE: 00779 DRAWING NO: 1102333

SCALE: 1:1 SHEET 1 OF 1 REV: A5