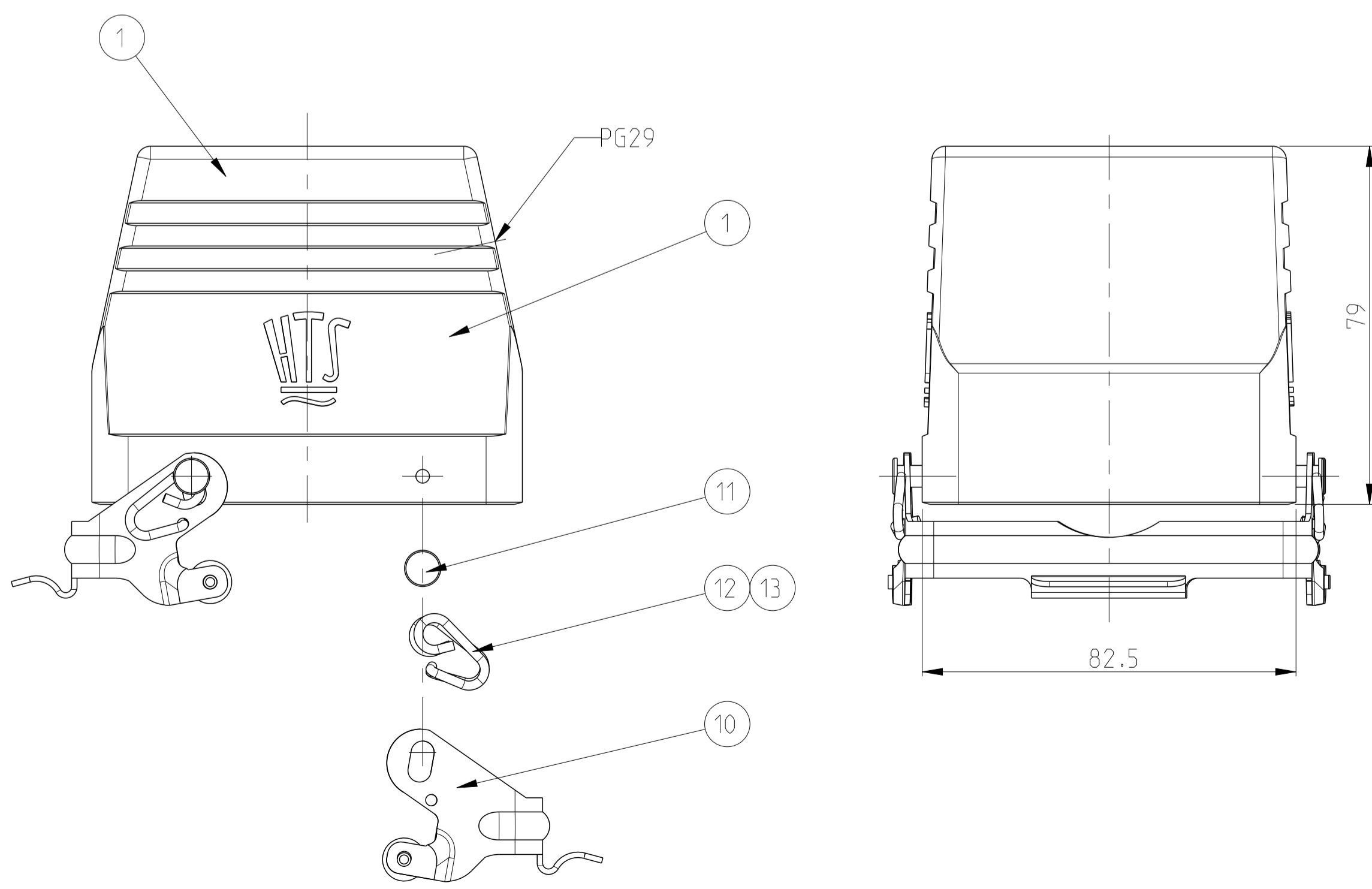
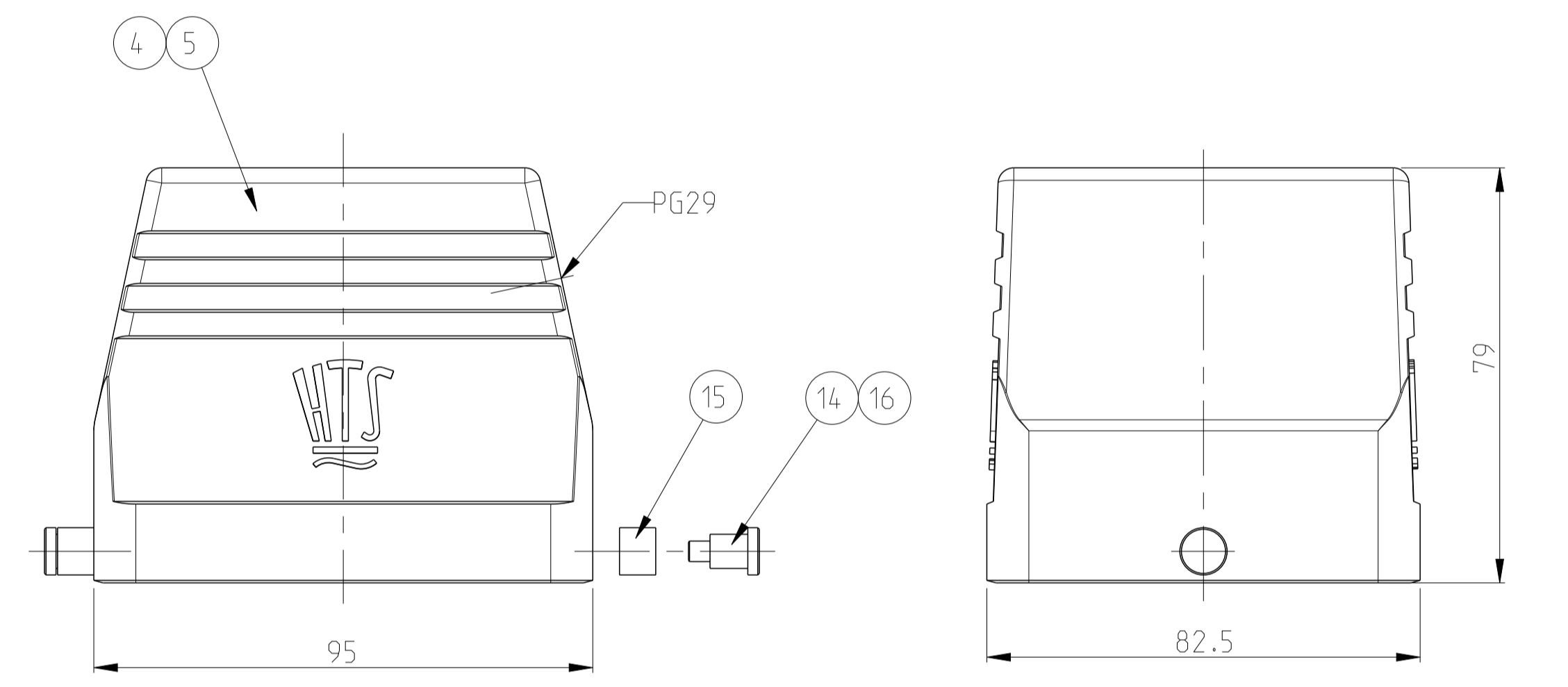
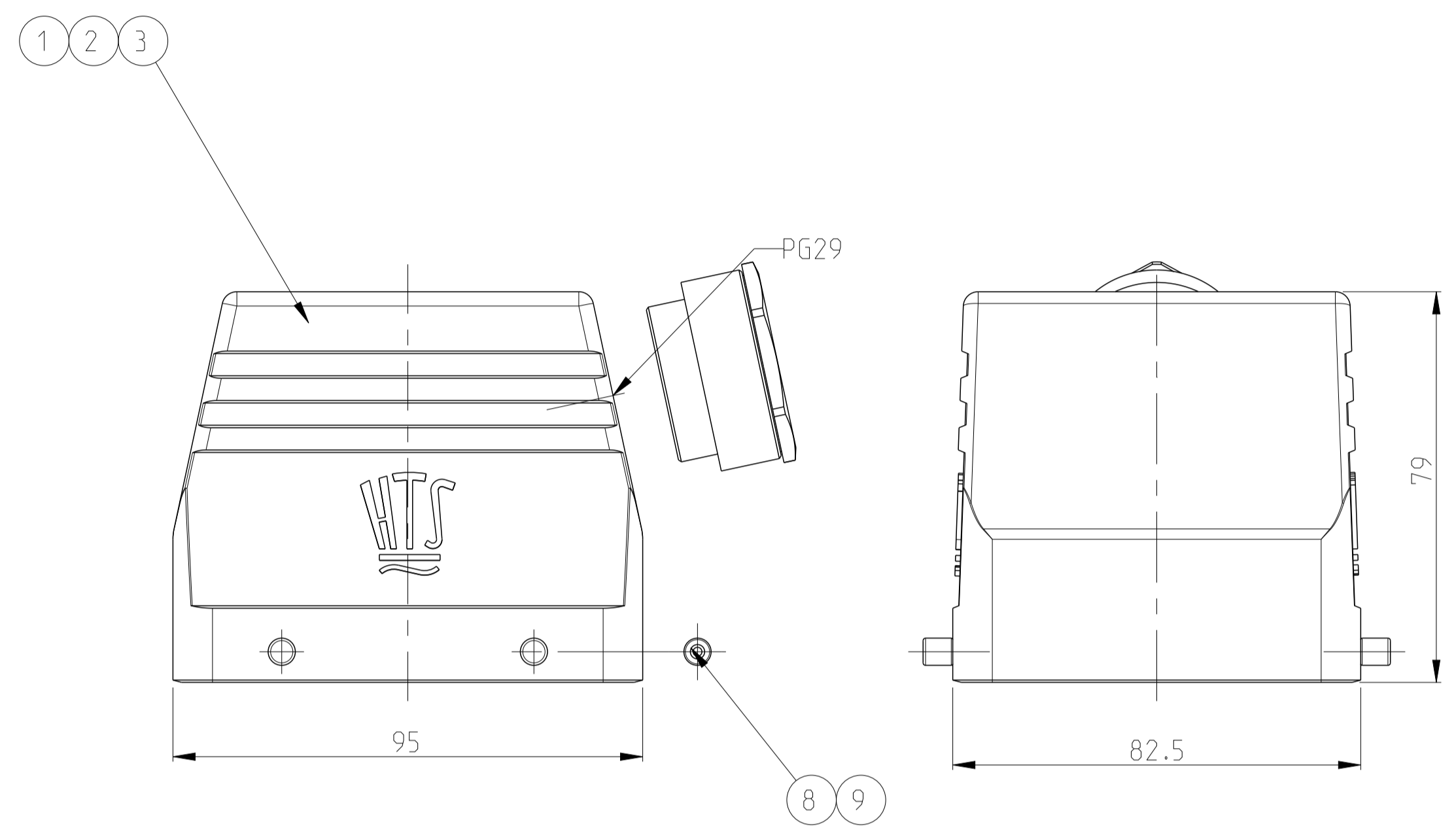
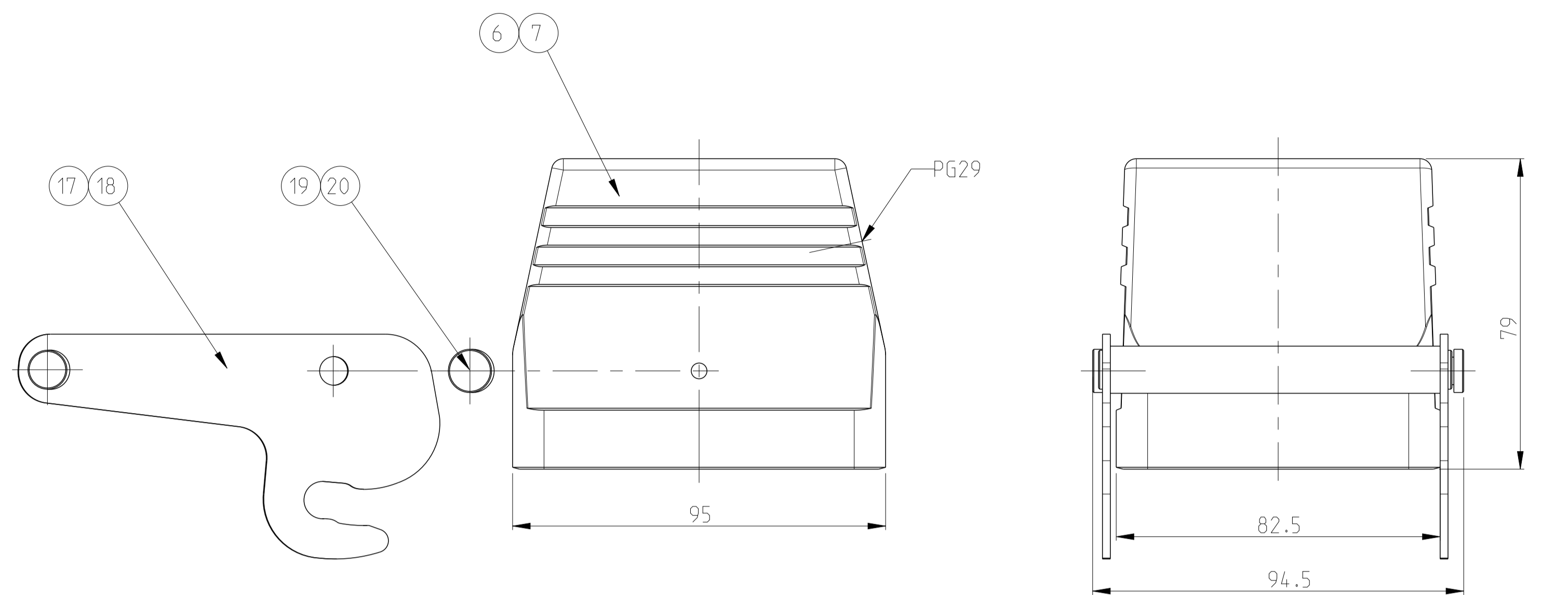


REVISIONS				
P	LTN	DESCRIPTION	DATE	APVD
A2		ECR-09-013545	12MAY2009	SR AR
A3		REVISED PER ECR-17-013084	08JAN2018	NC MKO



- NOTES
- PART SHALL BE FREE AND CLEAN OF BURRS AND OTHER FOREIGN MATERIAL
  - PACKAGING: QUANTITY 3 PIECES
  - VARNISHING INSIDE HOUSING NOT REQUIRED

QTY	DESCRIPTION	MATERIAL	SURFACE	COLORE	ITEM	NOTES
2	CLIP POSITIONER	STAINLESS STEEL	BLANC		20	
2	CLIP POSITIONER	STEEL	ZINC PLATED	BLUE	19	
1	CENTRAL CLIP	STAINLESS STEEL	BLANC		18	
1	CENTRAL CLIP	STEEL	ZINC PLATED	BLUE	17	
2	CLIP BOLT	STAINLESS STEEL	BLANC		16	
2	SLIDE SPOOL	STEEL	ZINC PLATED	BLUE	15	
2	CLIP BOLT	STEEL	ZINC PLATED	BLUE	14	
2	CLIP SPRING RIGHT	STEEL	ZINC PLATED	BLUE	13	
2	CLIP SPRING LEFT	STEEL	ZINC PLATED	BLUE	12	
4	CLIP POSITIONER	STEEL	ZINC PLATED	BLUE	11	
2	LOCKING CLIP	STEEL	ZINC PLATED	BLUE	10	
4	CLIP BOLT	STAINLESS STEEL	BLANC		9	
4	CLIP BOLT	STEEL	BLUE	BLUE	8	
1	HOOD	ALUMINIUM	ALUMINIUM OXID	BLACK	7	
1	HOOD	ALUMINIUM		GREY	6	
1	HOOD	ALUMINIUM	ALUMINIUM OXID	BLACK	5	
1	HOOD	ALUMINIUM		GREY	4	
1	HOOD	ALUMINIUM		WITHOUT VARNISH	3	
1	HOOD	ALUMINIUM	ALUMINIUM OXID	BLACK	2	
1	HOOD	ALUMINIUM		GREY	1	
2-3	DESCRIPTION	MATERIAL	SURFACE	COLORE	ITEM	NOTES
1-3	HB.32.STS-1.29.G					
2-7	HB-K.32.STS-1.29.G					
1-7	HB.32.STS-1.29.G					
1-1	HB.32.STS-VS-1.29.G					
0-1	HB.32.STS-GR-1.29.G					
2-6	HB-K.32.STS-GR-1.29.G					
1-6	HB-Z.32.STS-ZB-1.29.G					
1	HB-K/Z.32.STS-ZB-1.29.G					

THIS DRAWING IS A CONTROLLED DOCUMENT. DIMENSIONS: mm. TOLERANCES UNLESS OTHERWISE SPECIFIED: 0 PLC ±0.1, 1 PLC ±0.2, 2 PLC ±0.3, 3 PLC ±0.4, 4 PLC ±0.5, ANGLES ±0.5°. MATERIAL: -. FINISH: -. THIS DRAWING IS UNPUBLISHED. RELEASED FOR PUBLICATION 2006. COPYRIGHT 2006 BY - ALL RIGHTS RESERVED.

OWN: R. SCHNEIDER 12MAY2009  
 CH: T. SCHNURPFEL 12MAY2009  
 APVD: -

NAME: HOOD  
 PRODUCT SPEC: HB.32.STS.1.29.G  
 APPLICATION SPEC: -

SIZE: A1 CAGE CODE: 00779 DRAWING NO: C=1102348  
 WEIGHT: -

CUSTOMER DRAWING SCALE: 1:1 SHEET 1 OF 1 REV: A3

**STE** TE Connectivity