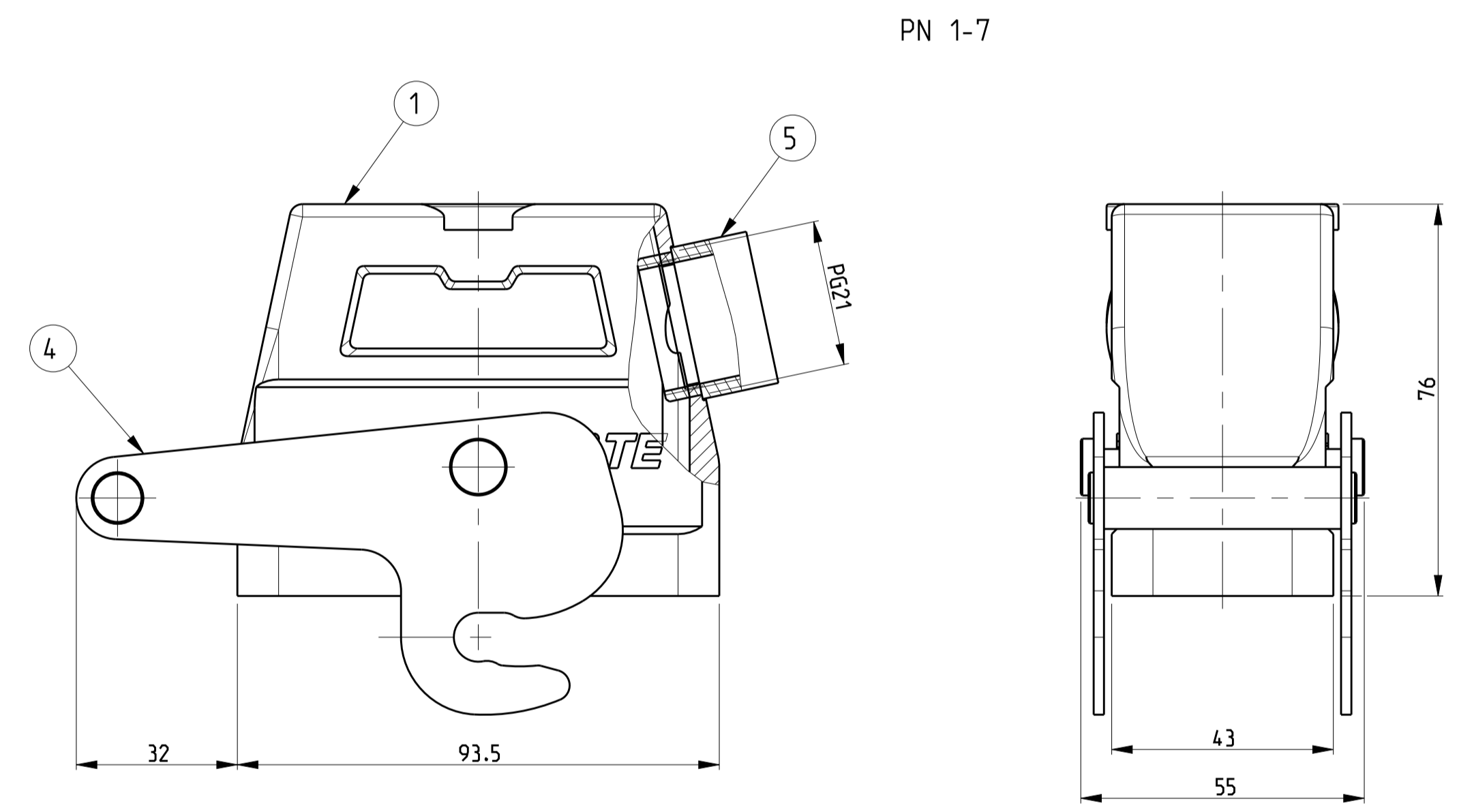
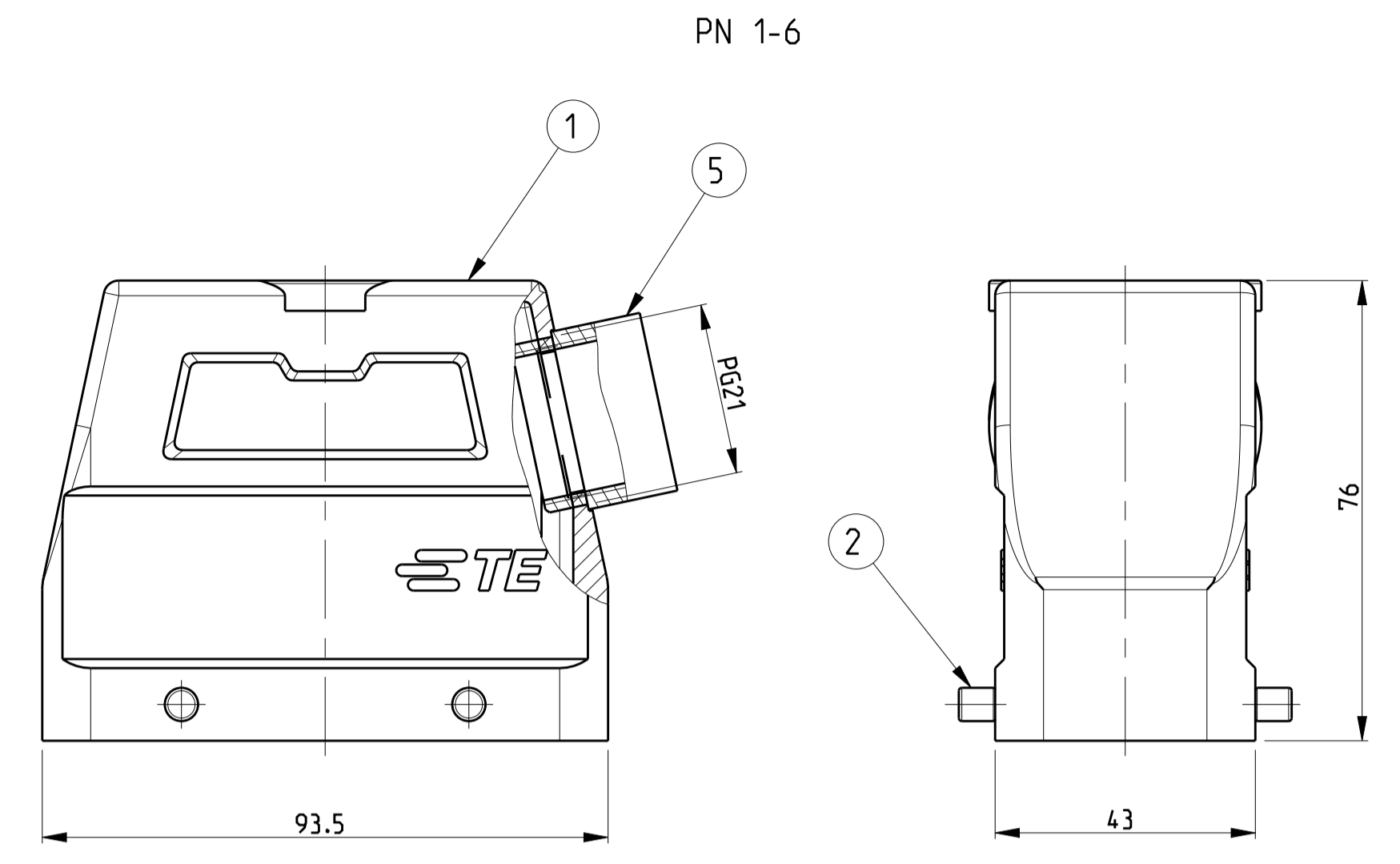
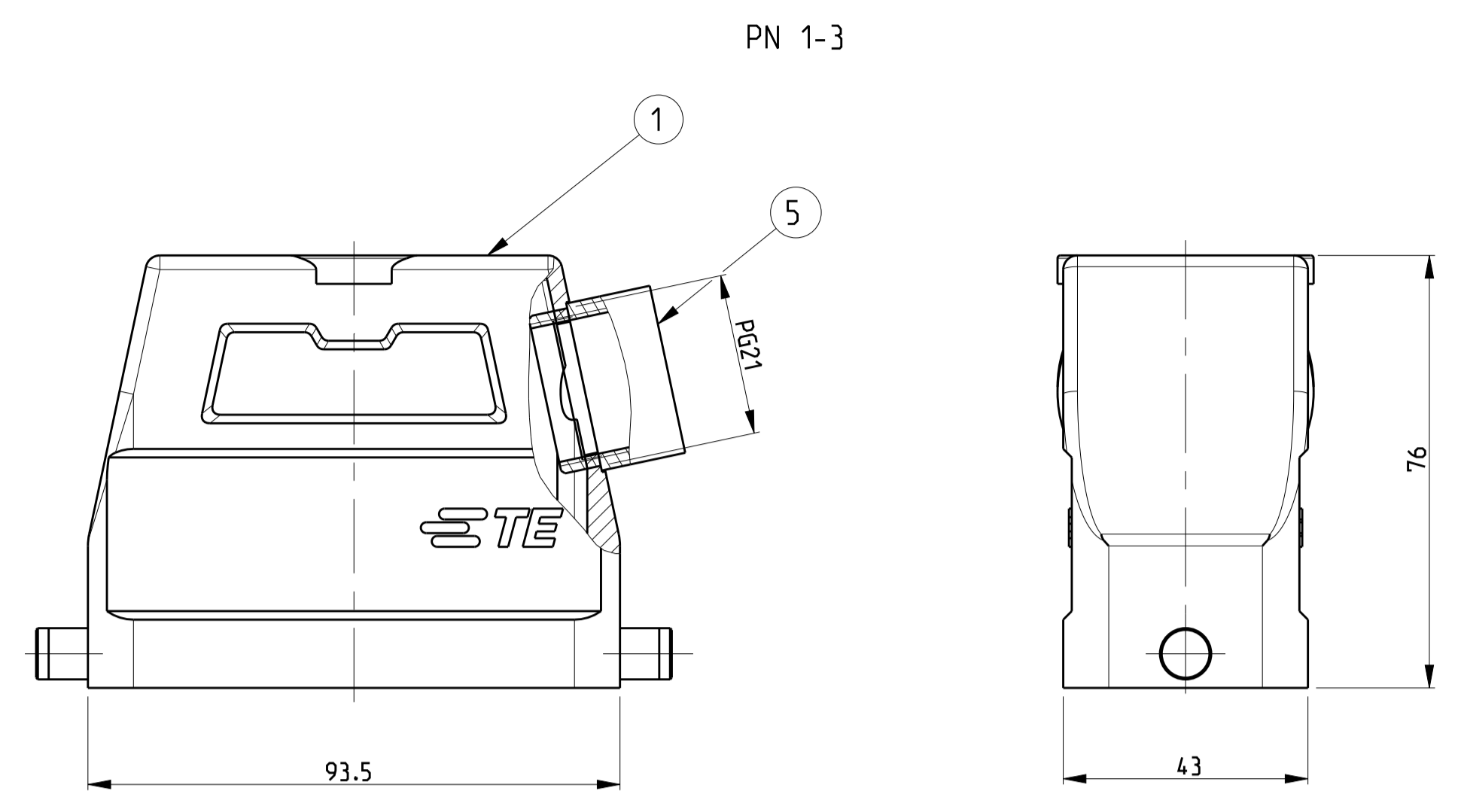
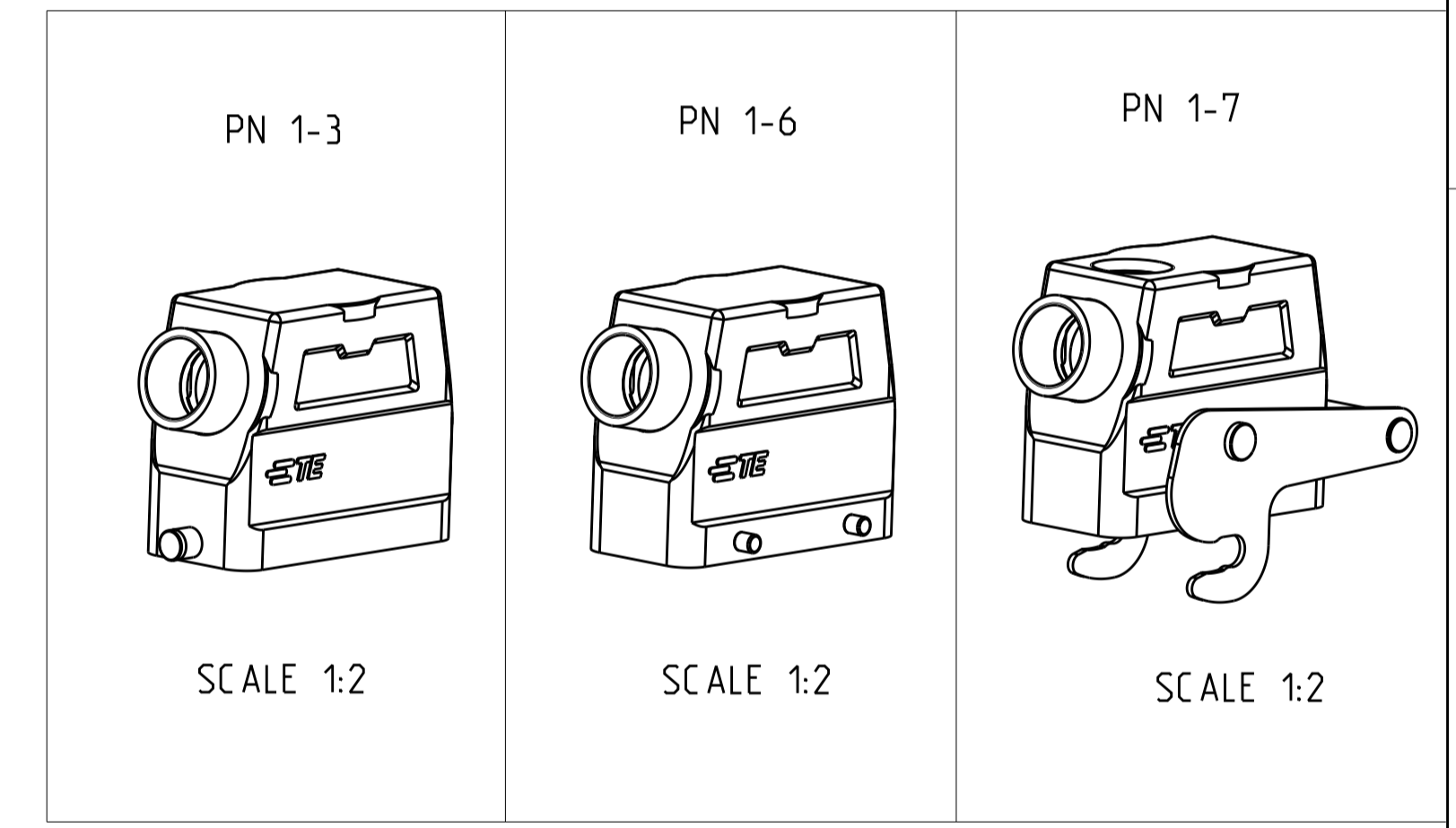


REVISIONS					
P	LTR	DESCRIPTION	DATE	DWN	APVD
A3		Released as per ECR-07-012890	12-06-07	SK	TS
A4		REVISED PER ECO-09-027197	17DEC09	KK	AEK
A5		REVISED PER ECR-16-016768	18AUG2017	AP	MKO



- NOTES
- 1 Material: Housing: aluminium diecasting alloy
Seals: Neoprene
 - 2 Surface: - varnish- grey
 - 3 Varnish on the inside not necessarily
 - 4 Packaging
Folding carton PN 0-1243099-1
Packaging quantity: 5 pieces
 - 5 OBSOLETE PARTS: OBSOLETE CIS STREAMLINING
PER D.RENAUD/D.SINISI



QTY	REF	DESCRIPTION	MATERIAL	SURFACE	COLOR	ITEM NO	NOTES		
1	1	Adaptor Pg21	Brass	Nickel plated	-	5	-		
2	1	LB-Clip bolt	Steel	Zinc plated	Blue	4	-		
	2	VS-Clip	Steel	Zinc plated	Blue	3	-		
	4	VS-Clip bolt	Steel	Zinc plated	Blue	2	-		
1	1	Hood HD.40.Pg.1.21	Aluminium	-	Grey	1	-		
1-3	1-7	1-1	1-6	DESCRIPTION	MATERIAL	SURFACE	COLOR	ITEM NO	NOTES
ORDERING TEXT									
HD.40.Sts-1.21.Z									
HD.40.Sts-VS-1.21.Z									
HD.40.Sts-GR.1.21.Z									
HD-Z.40.Sts-ZB.1.21.Z									

THIS DRAWING IS A CONTROLLED DOCUMENT. DWN 20.08.01
 Schneider
 Che 20.08.01
 Schnurfeil

DIMENSIONS: mm

TOLERANCES UNLESS OTHERWISE SPECIFIED:

0	PLC	±
1	PLC	±
2	PLC	±
3	PLC	±
4	PLC	±
5	PLC	±

MATERIAL: 1
 FINISH: 2

NAME: Hood
 HD.40.STS.1.21.Z

PRODUCT SPEC: -
 APPLICATION SPEC: -

SIZE: A1
 CAGE CODE: 00779
 DRAWING NO: C=1102563

RESTRICTED TO: -

WEIGHT: -

CUSTOMER DRAWING

SCALE: 1:1
 SHEET: 1 OF 1
 REV: A5