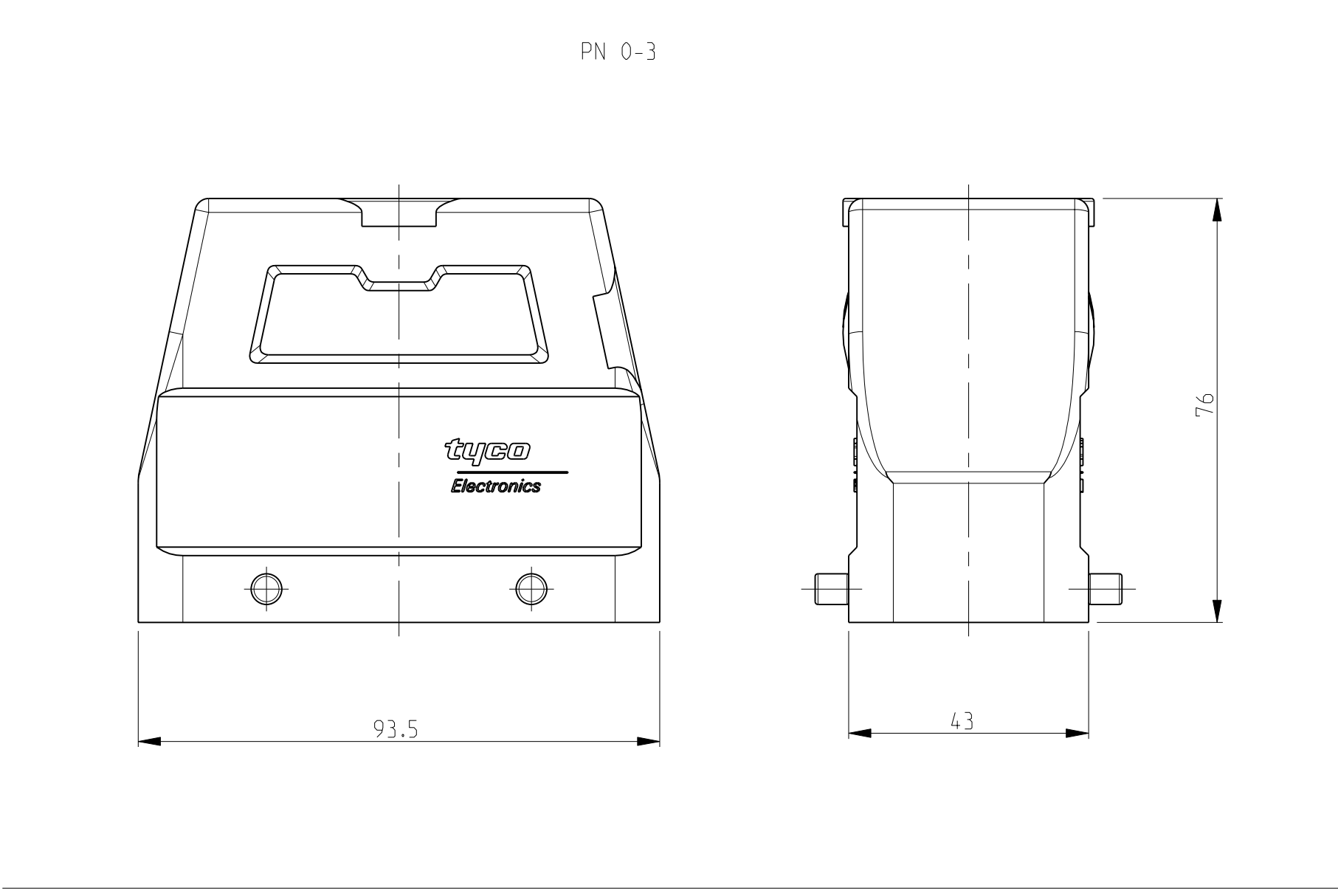
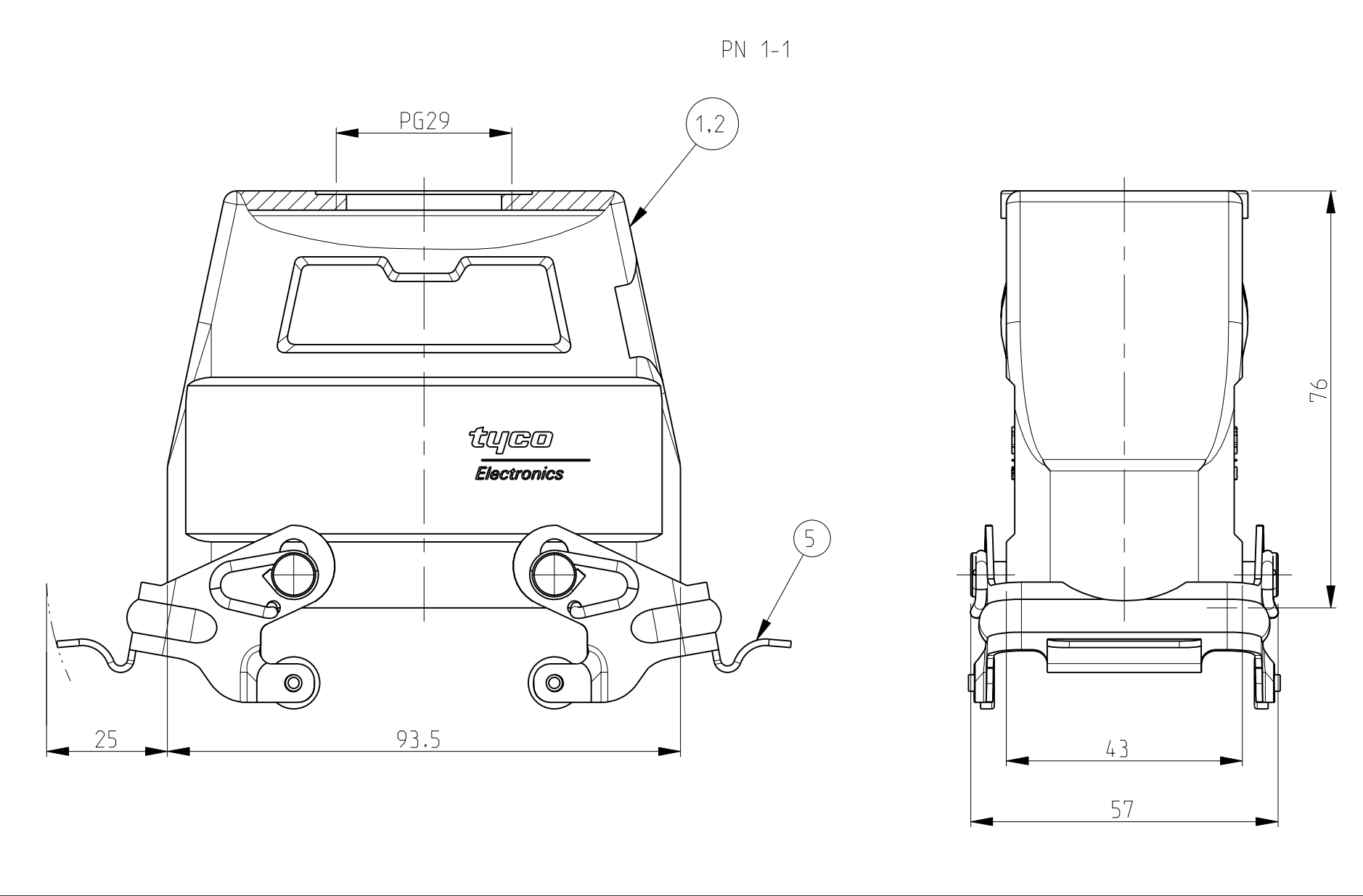
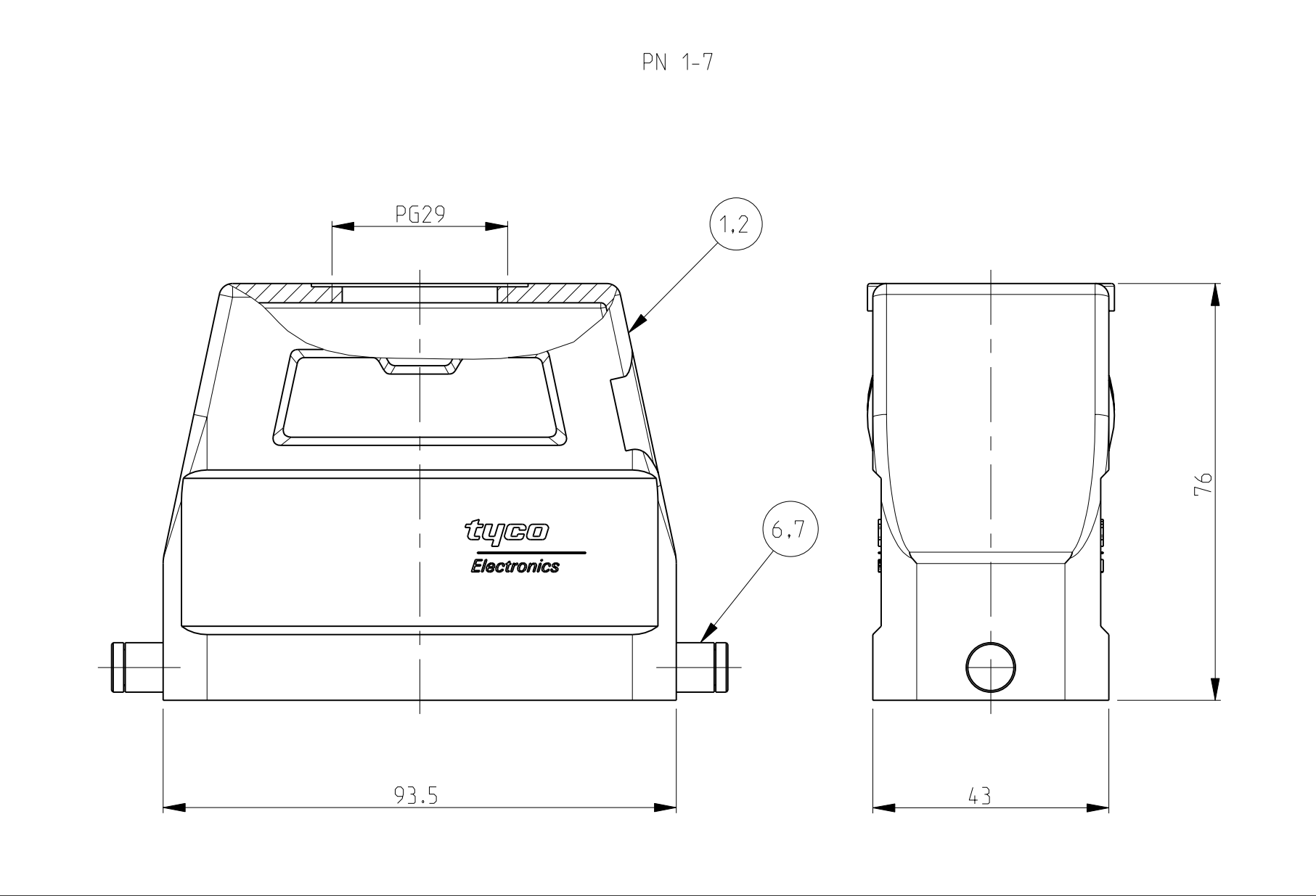
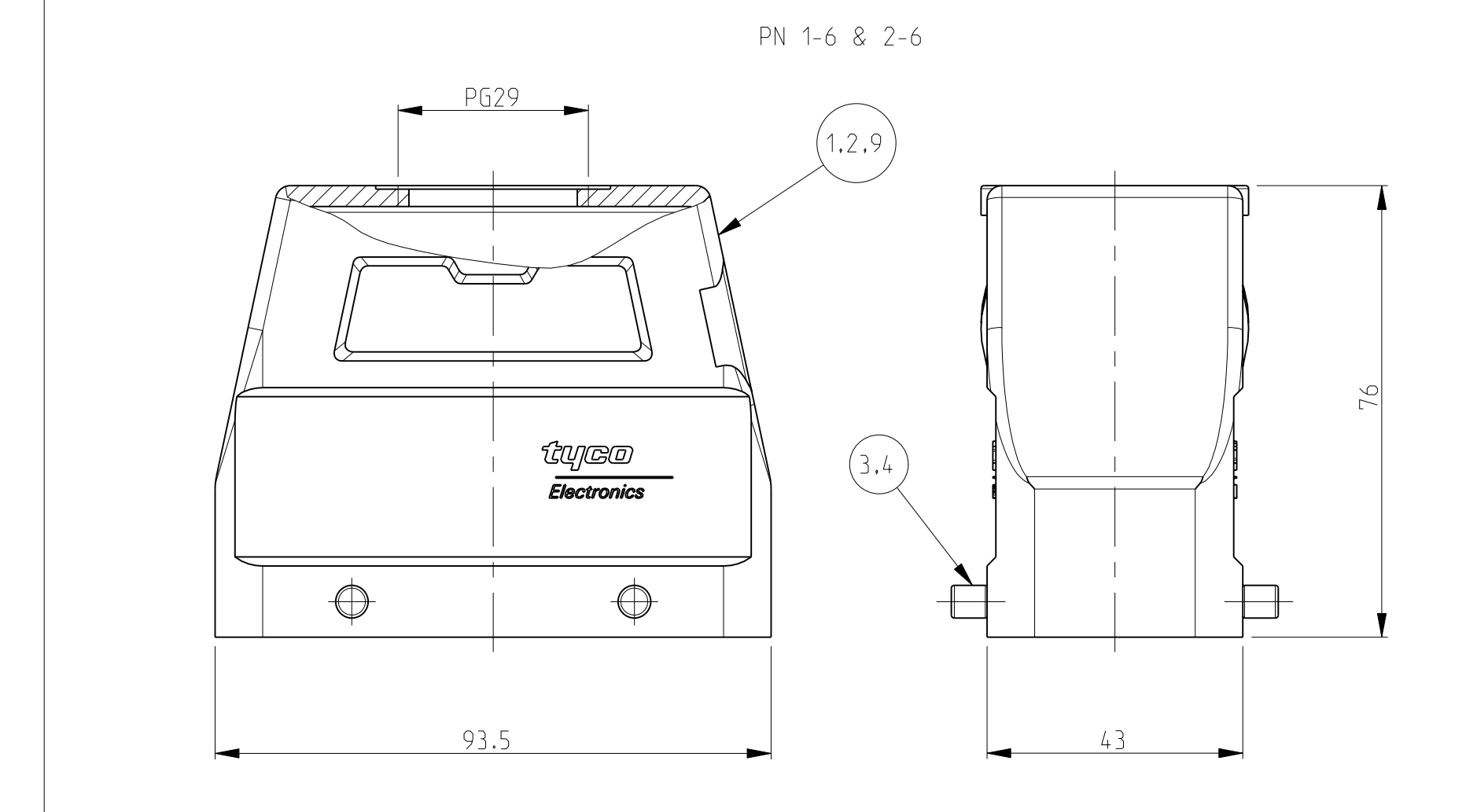
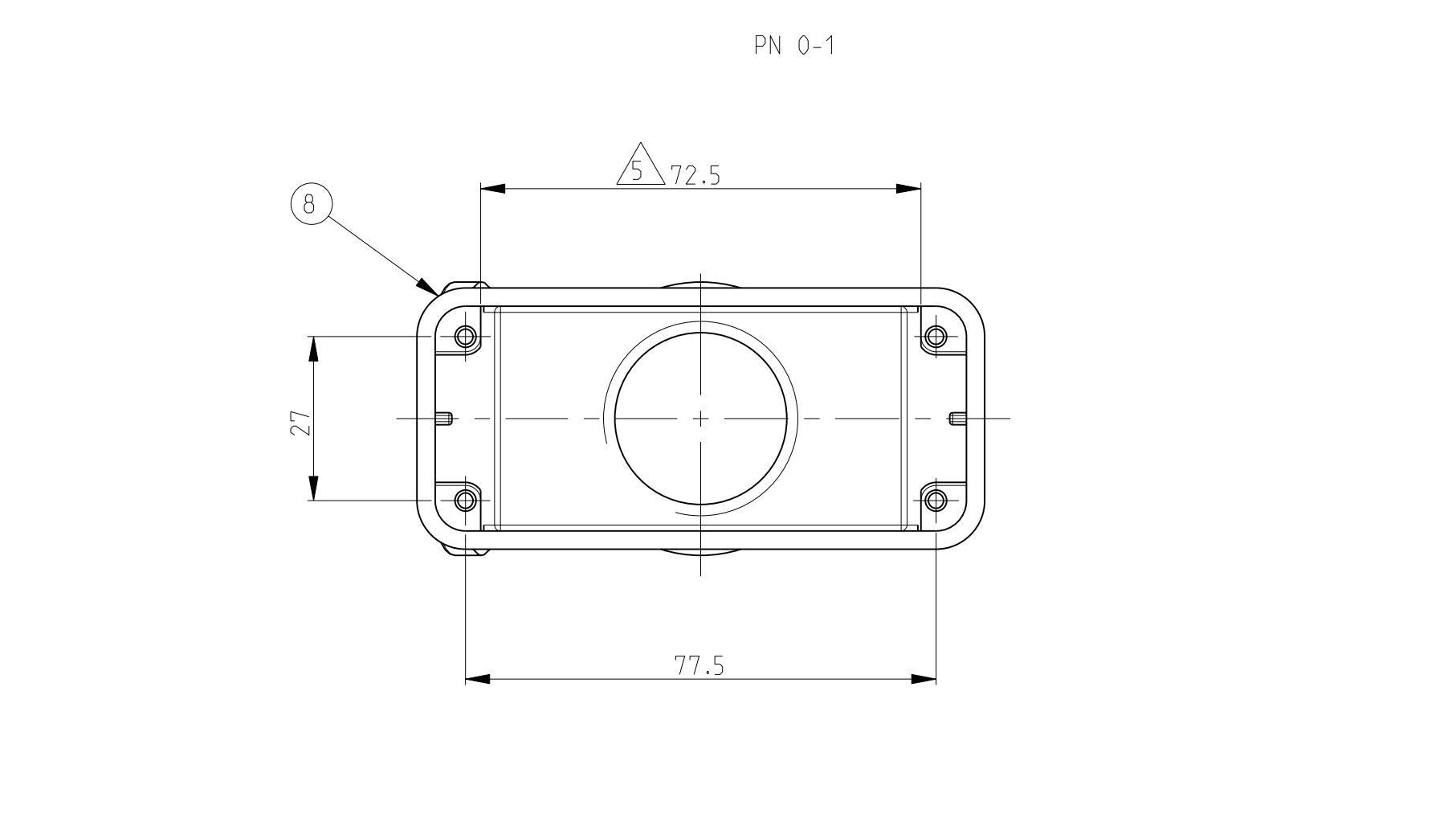
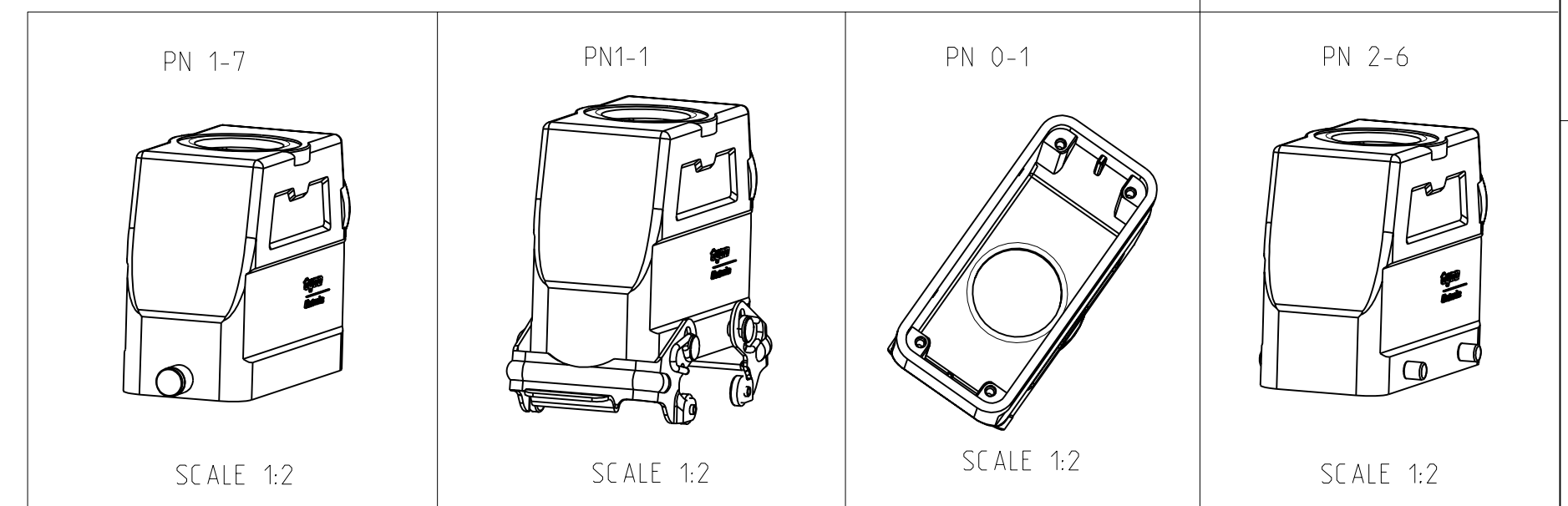
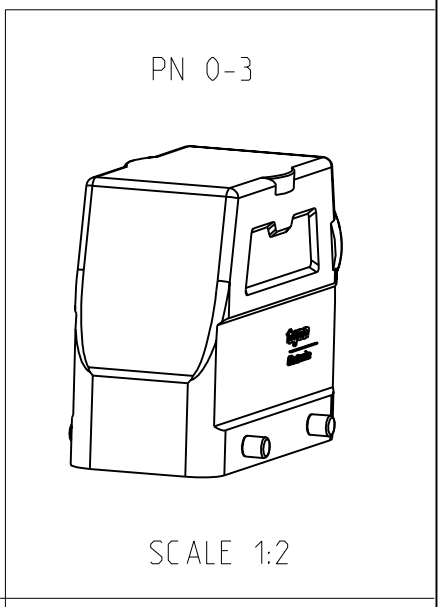


LOC	DIST	REVISIONS			
A	I	REV	DATE	BY	APPV
A8	ECR-17-014033		13MAR2018	SG	MKO



- NOTES
- Material: Housing: aluminium diecasting alloy
 - Surface:- Powder varnish-grey
Varnish black
 - Varnish on the inside not necessarily
 - Packaging quantity: 5 pieces
- △ Valid only for PN 0-1
Landing at measure 72.5 (20mm Deep) milled off : bothsides



QTY	DESCRIPTION	MATERIAL	SURFACE	COLOR	ITEM NO	NOTES
1	HD-K Hood	Aluminium	Aluminium oxide	Black	9	With out PG-thread
1	HD-K Hood	Aluminium	Aluminium oxide	Black	8	Landing milled off △
2	LB-Clip bolt	Stainless Steel	Even	-	7	-
2	LB-Clip bolt	Steel	Zinc plated	Blue	6	-
2	VS-Locking clip	Steel	Zinc plated	Blue	5	-
4	VS-Clip bolt	Stainless Steel	Even	-	4	-
4	VS-Clip bolt	Steel	Zinc plated	Blue	3	-
1	HD-K Hood	Aluminium	Aluminium oxide	Black	2	-
1	HD Hood	Aluminium	-	Grey	1	-

ORDERING TEXT

HD.40.STO.1.29.G
 HD.K.40.STO.1.29.G
 HD.40.STO-VS.1.29.G
 HD.40.STO-GR.1.29.G
 HD-K.40.STO.1.29.G △
 HD-K.40.STO-GR.1.29.G △
 HD-K.40.ST

THIS DRAWING IS A CONTROLLED DOCUMENT FOR TYCO ELECTRONICS CORPORATION. IT IS THE PROPERTY OF TYCO ELECTRONICS CORPORATION. IT IS TO BE USED ONLY FOR THE INTENDED APPLICATION AND SHOULD BE PROTECTED FROM UNAUTHORIZED DISSEMINATION.

DIMENSIONS: mm

TOLERANCES UNLESS OTHERWISE SPECIFIED:

0	±0.10
1	±0.15
2	±0.20
3	±0.25
4	±0.30

FINISH: RA 0.4

MATERIAL: ALUMINUM

DWN: Schneider 30.05.00
 CHK: Schneider 30.05.00
 APVD: Schneider

PRODUCT SPEC: -
 APPLICATION SPEC: -

WEIGHT: -

CUSTOMER DRAWING

SCALE: 1:1 SHEET: 1 OF 1 REV: A8

STE TE Connectivity

NAME: HOOD
 HD.40.STO.1.29.G

SIZE: A CAGE CODE: 00779 DRAWING NO: C=1102573

RESTRICTED TO: -