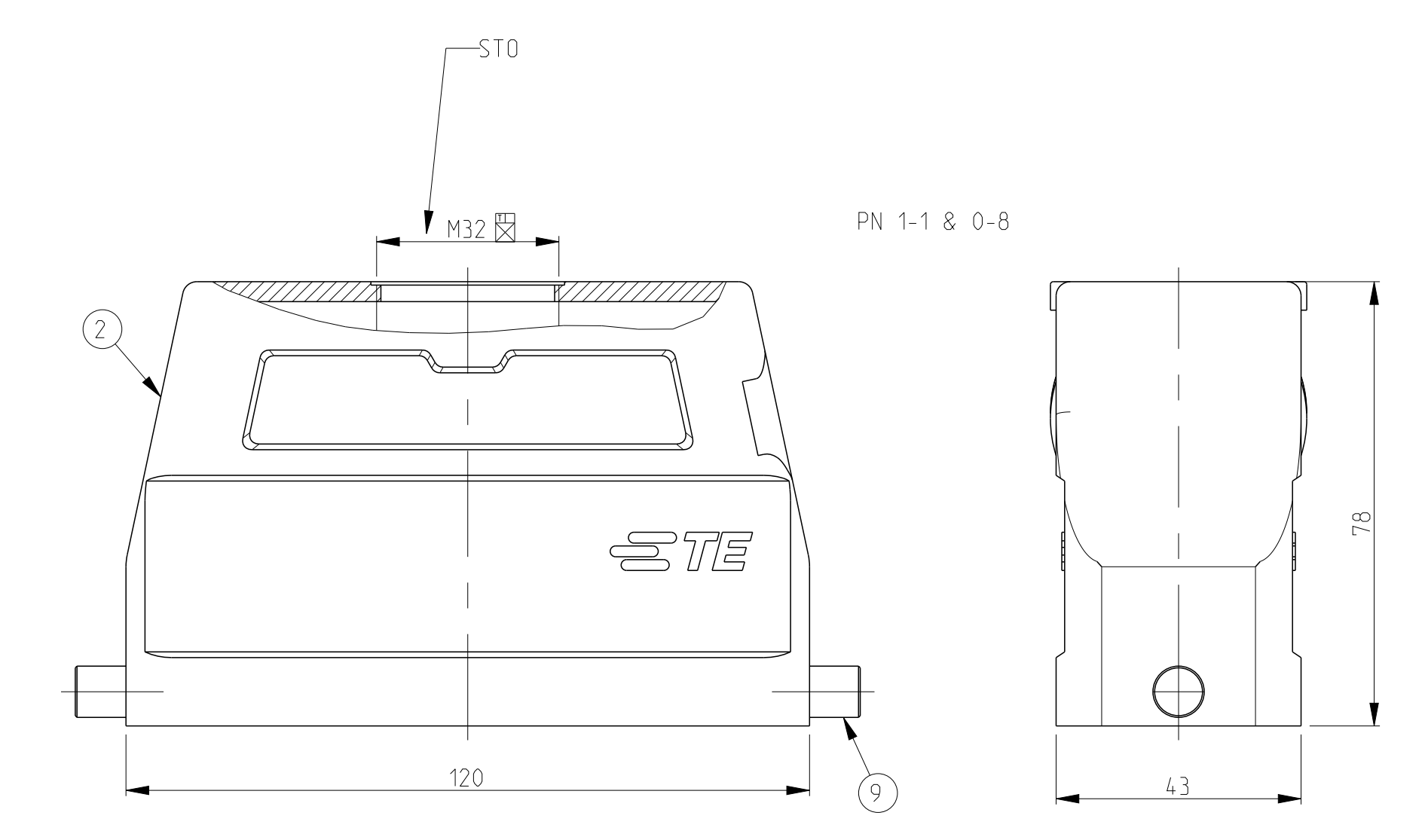
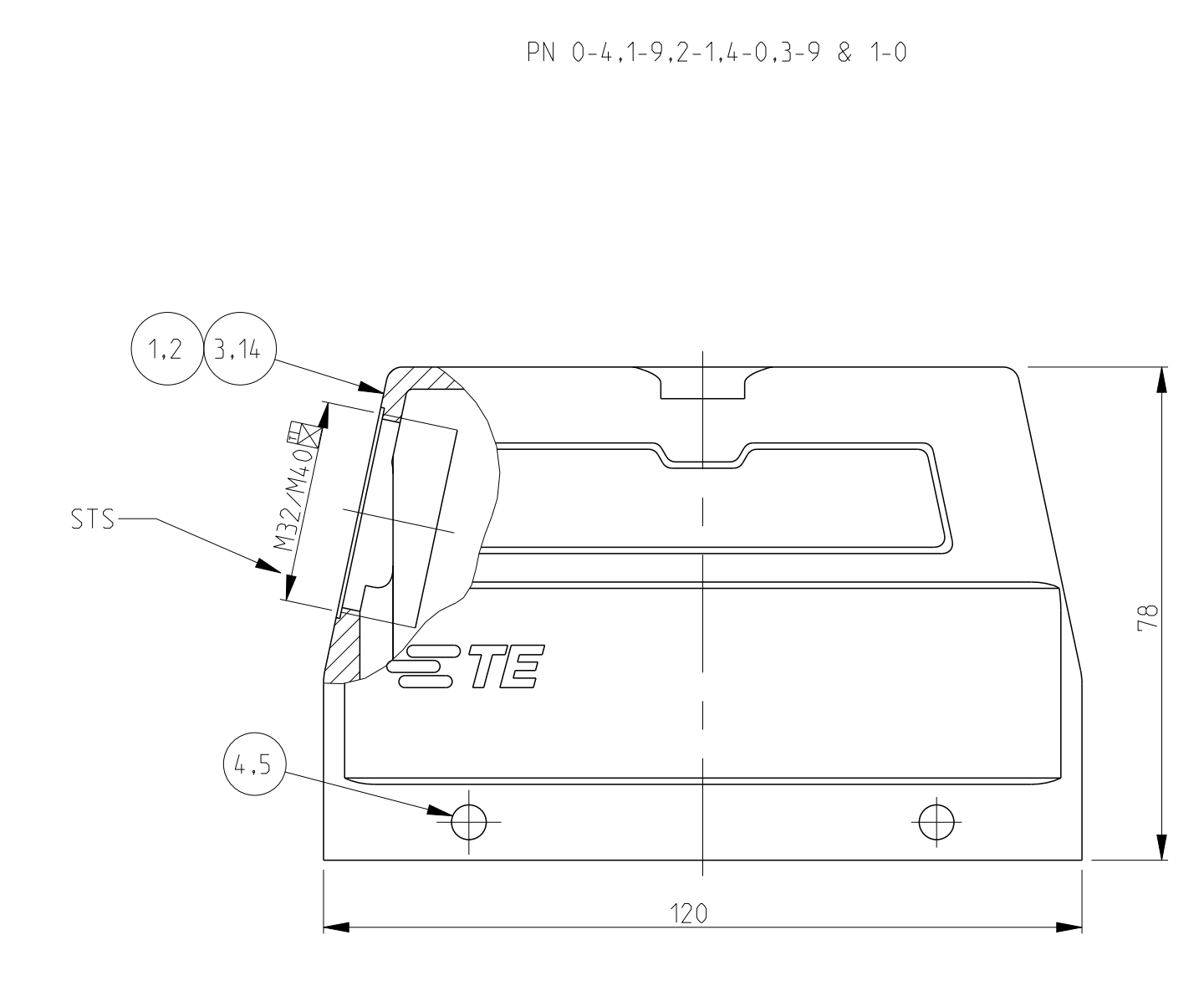
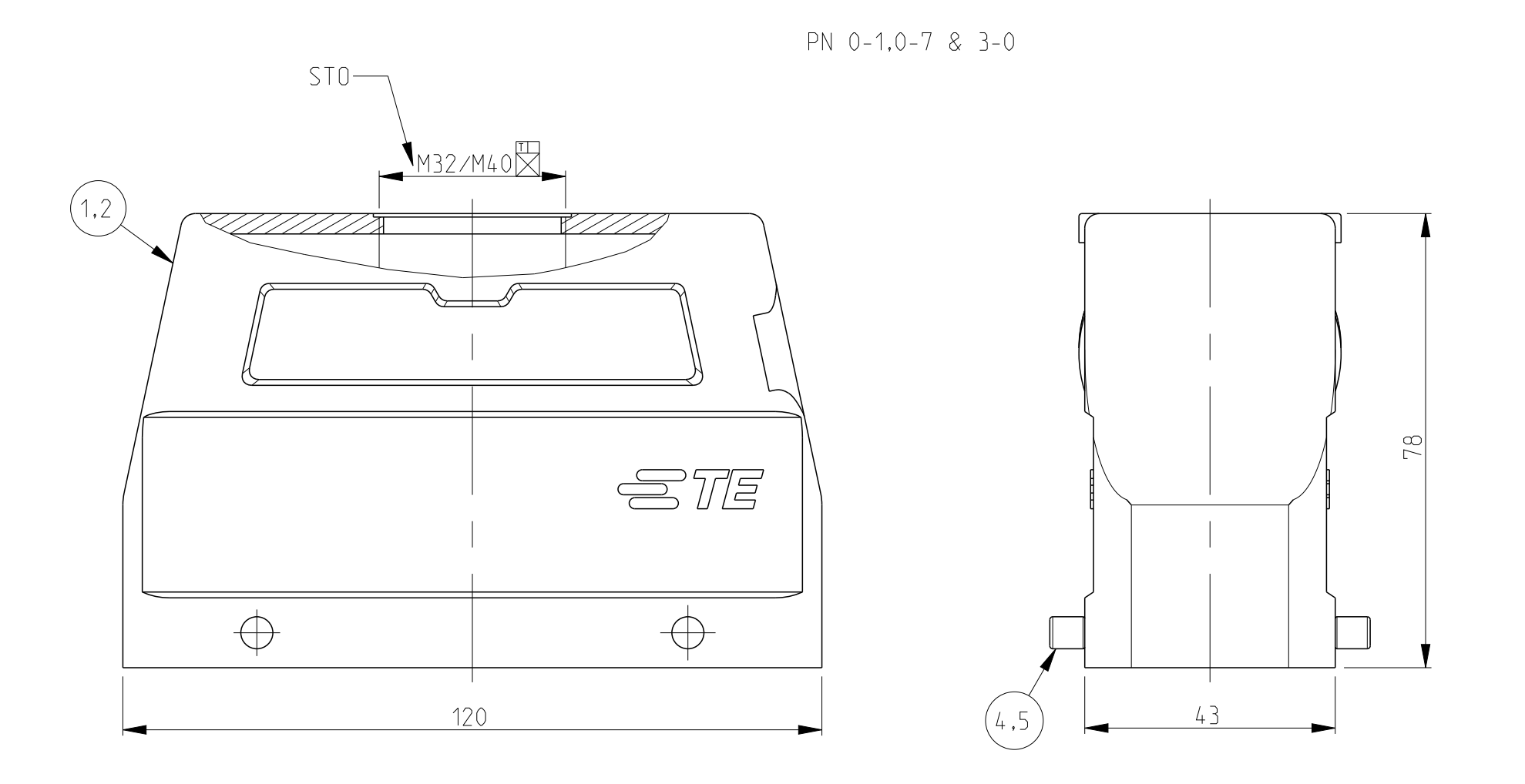
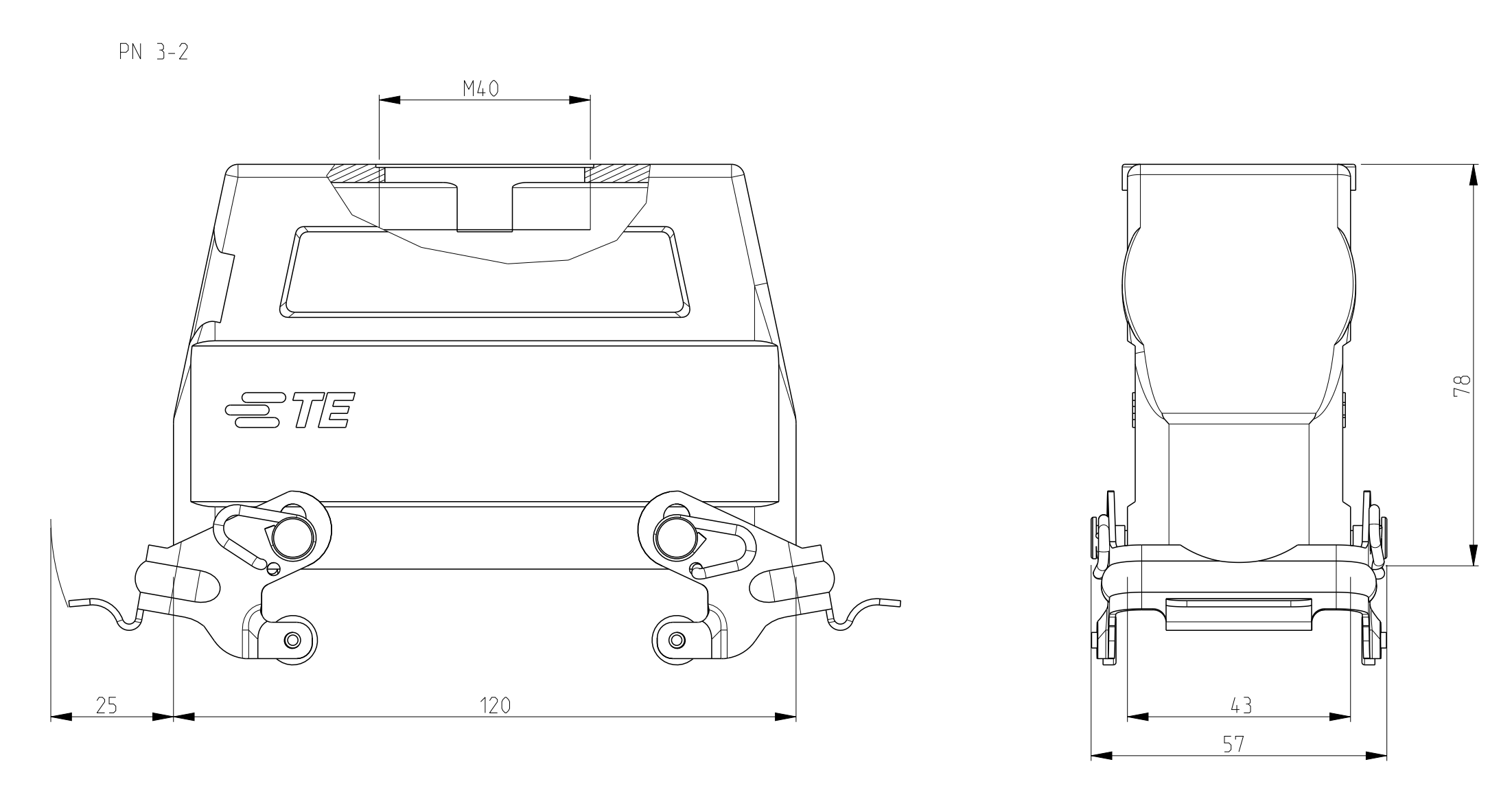
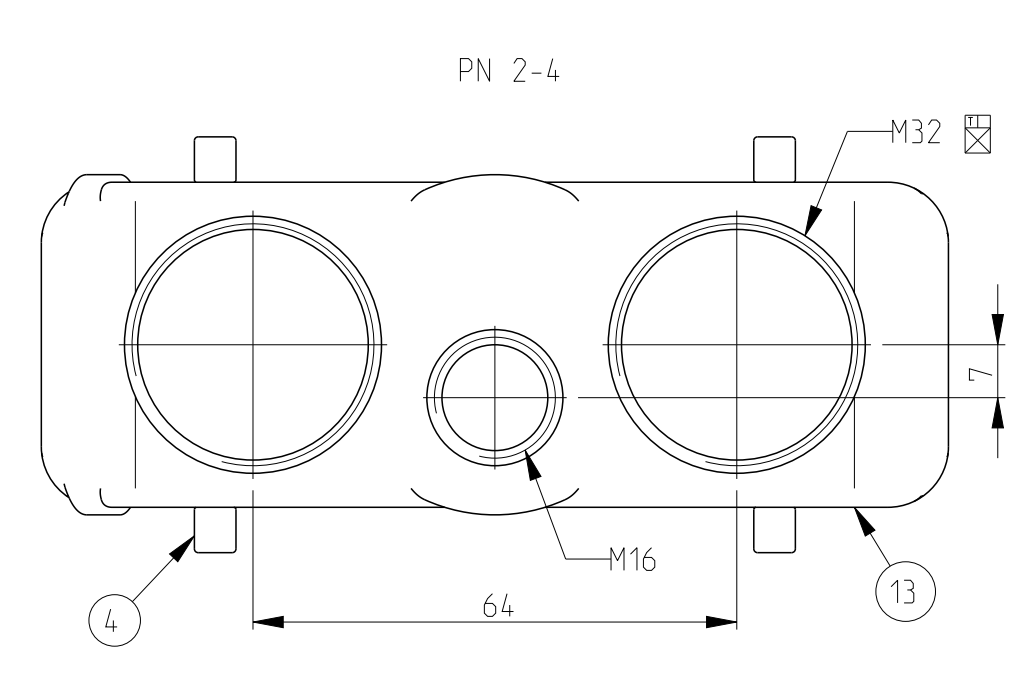
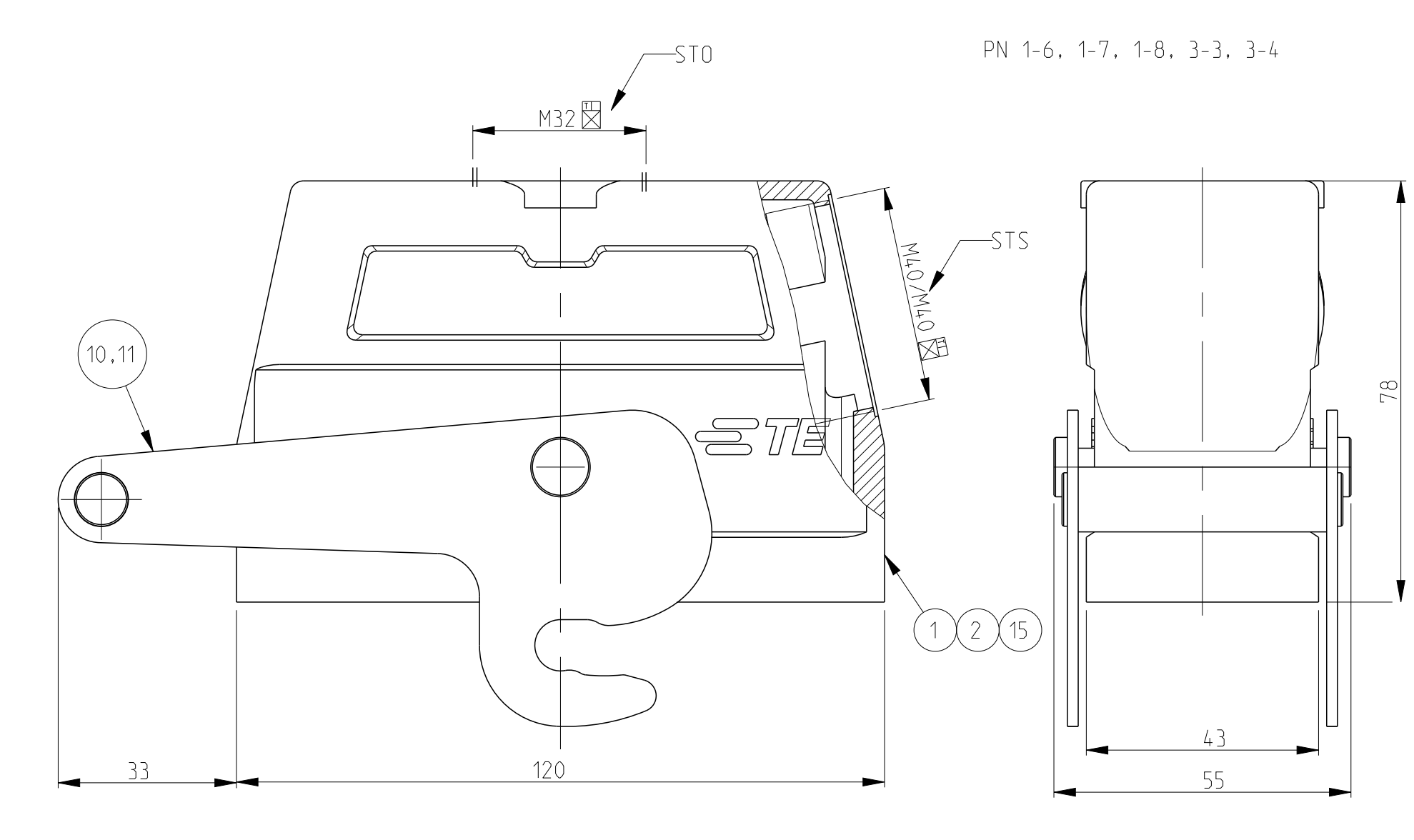
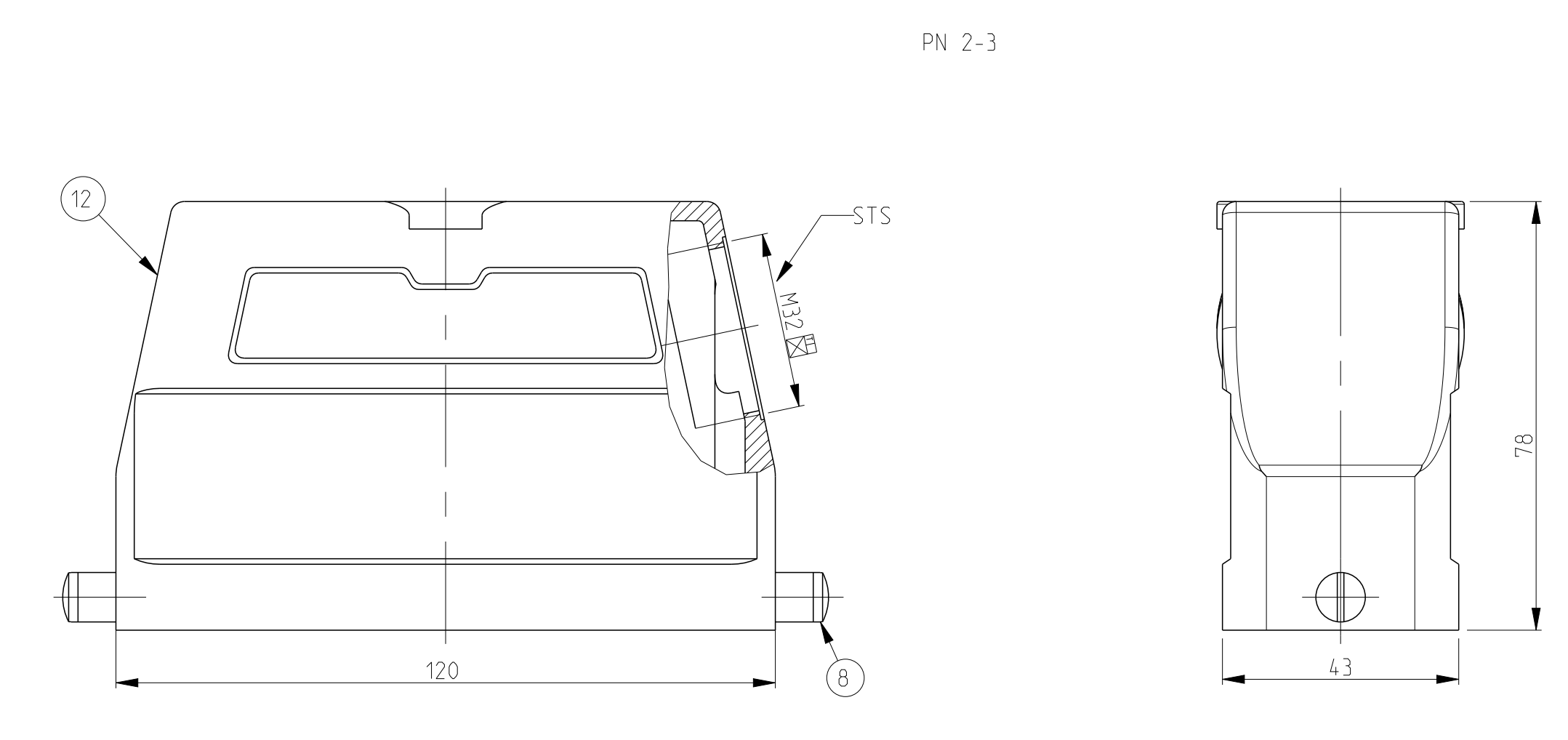
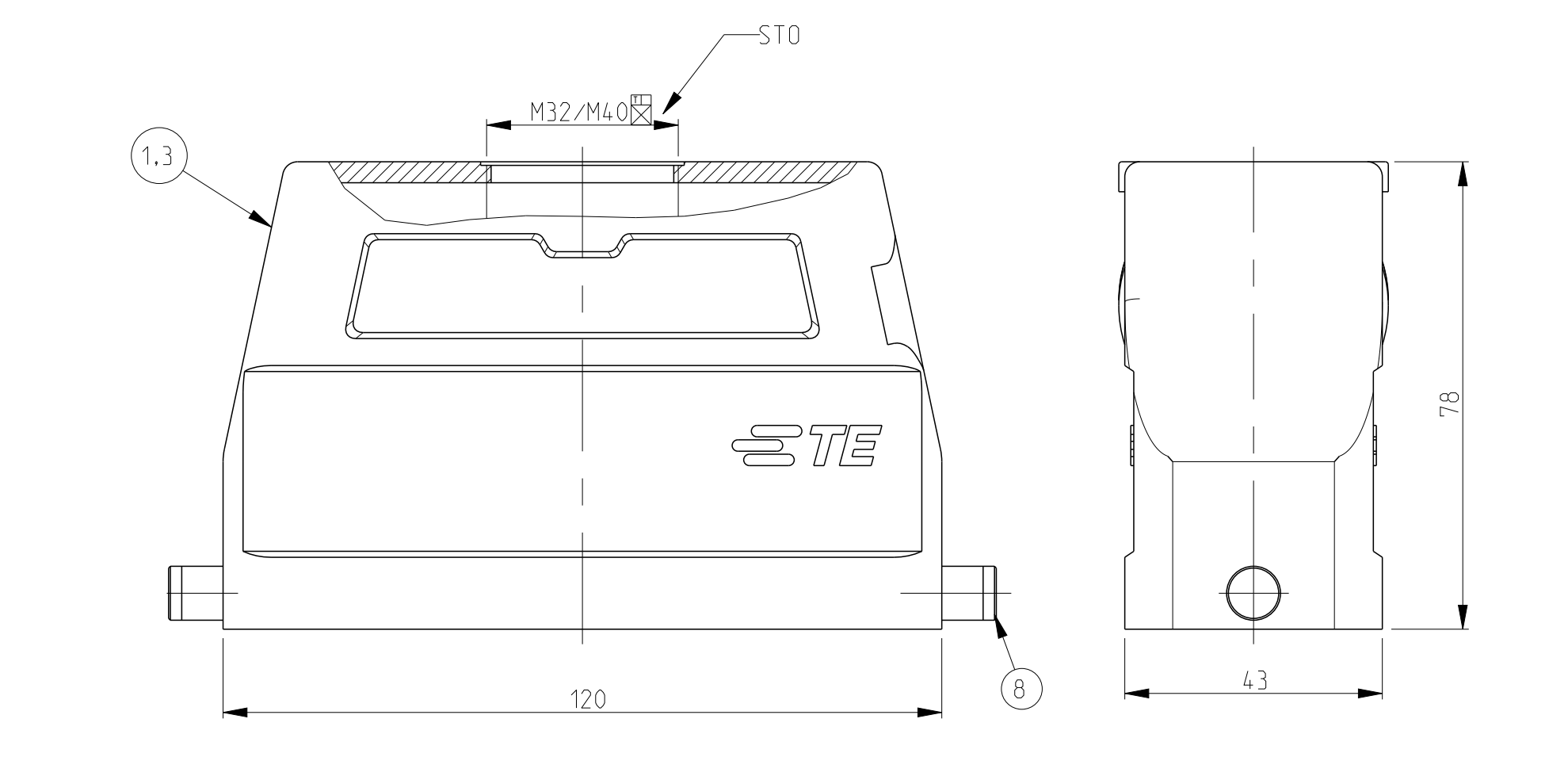
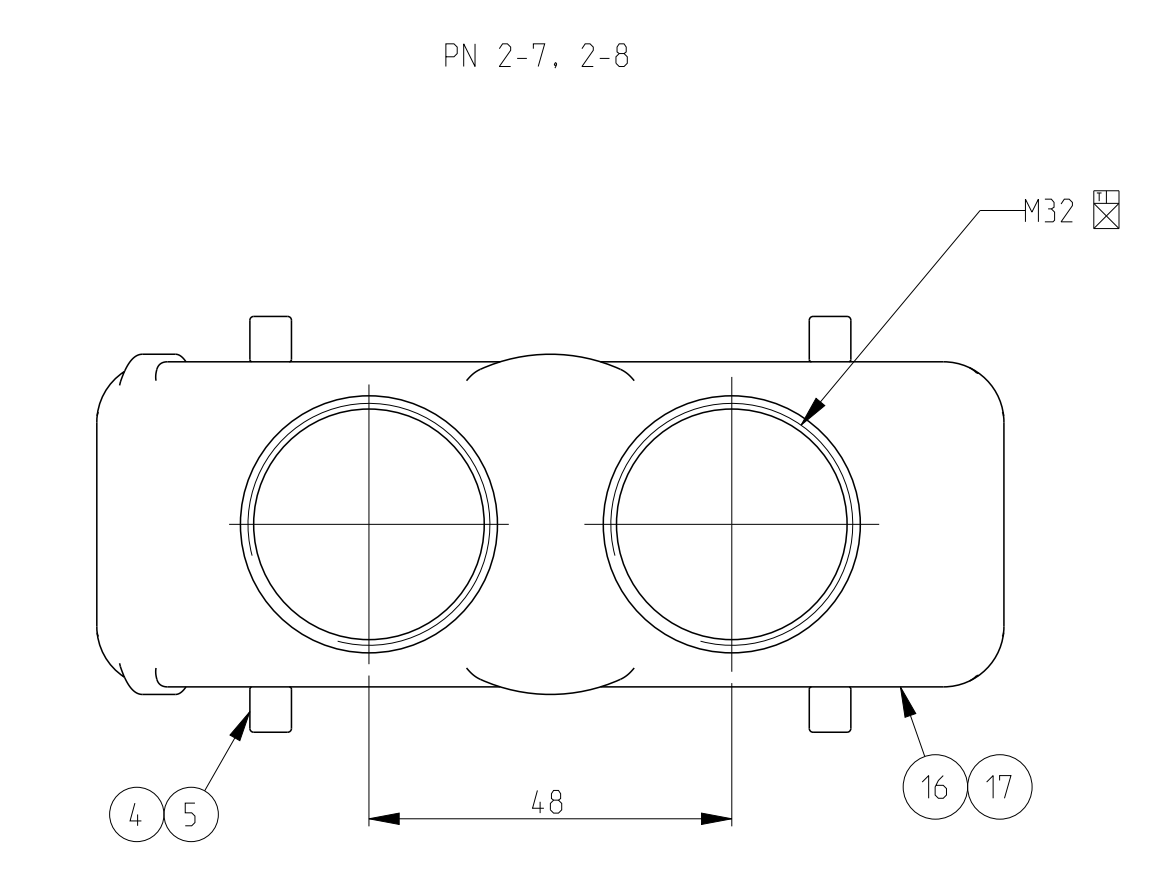
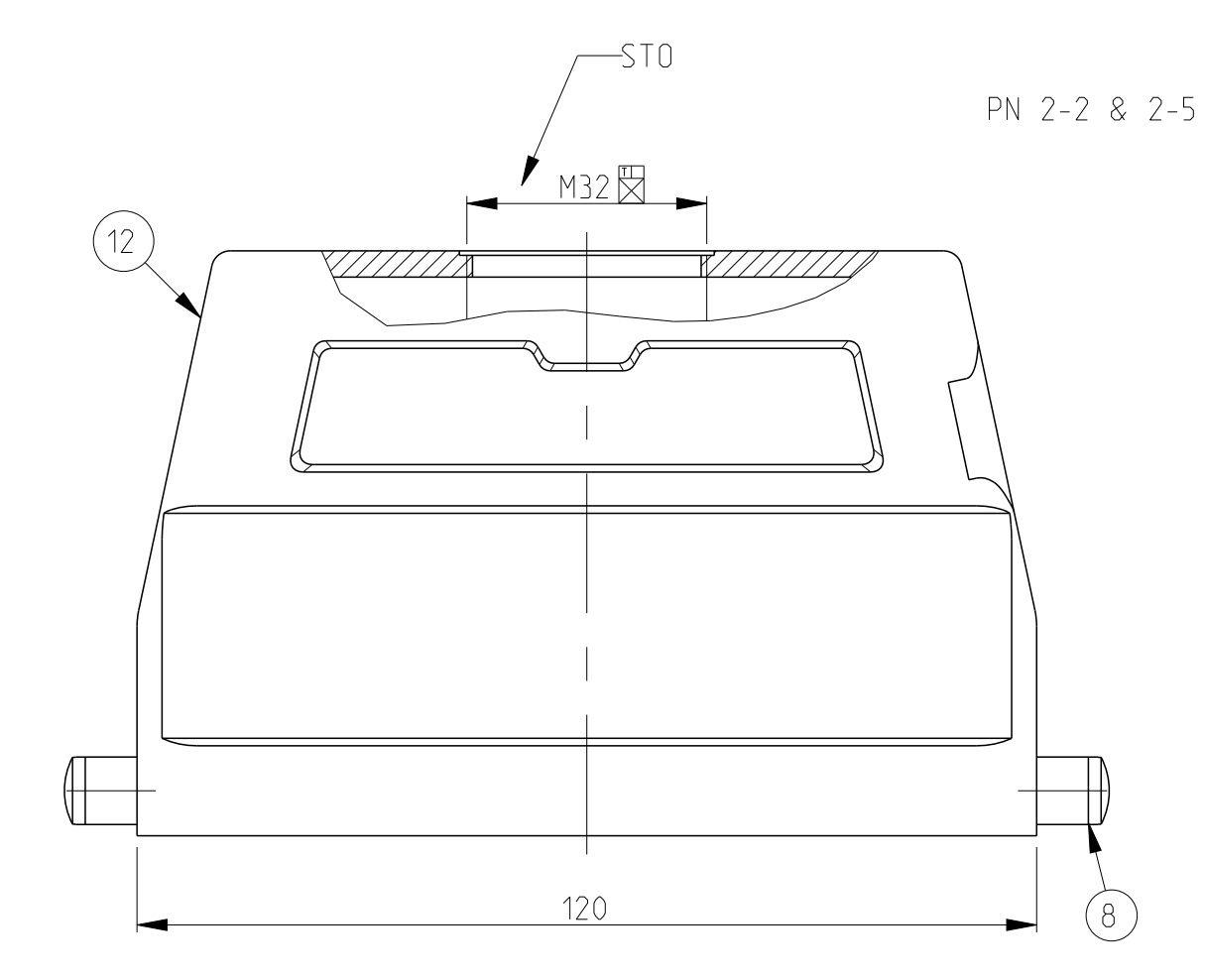
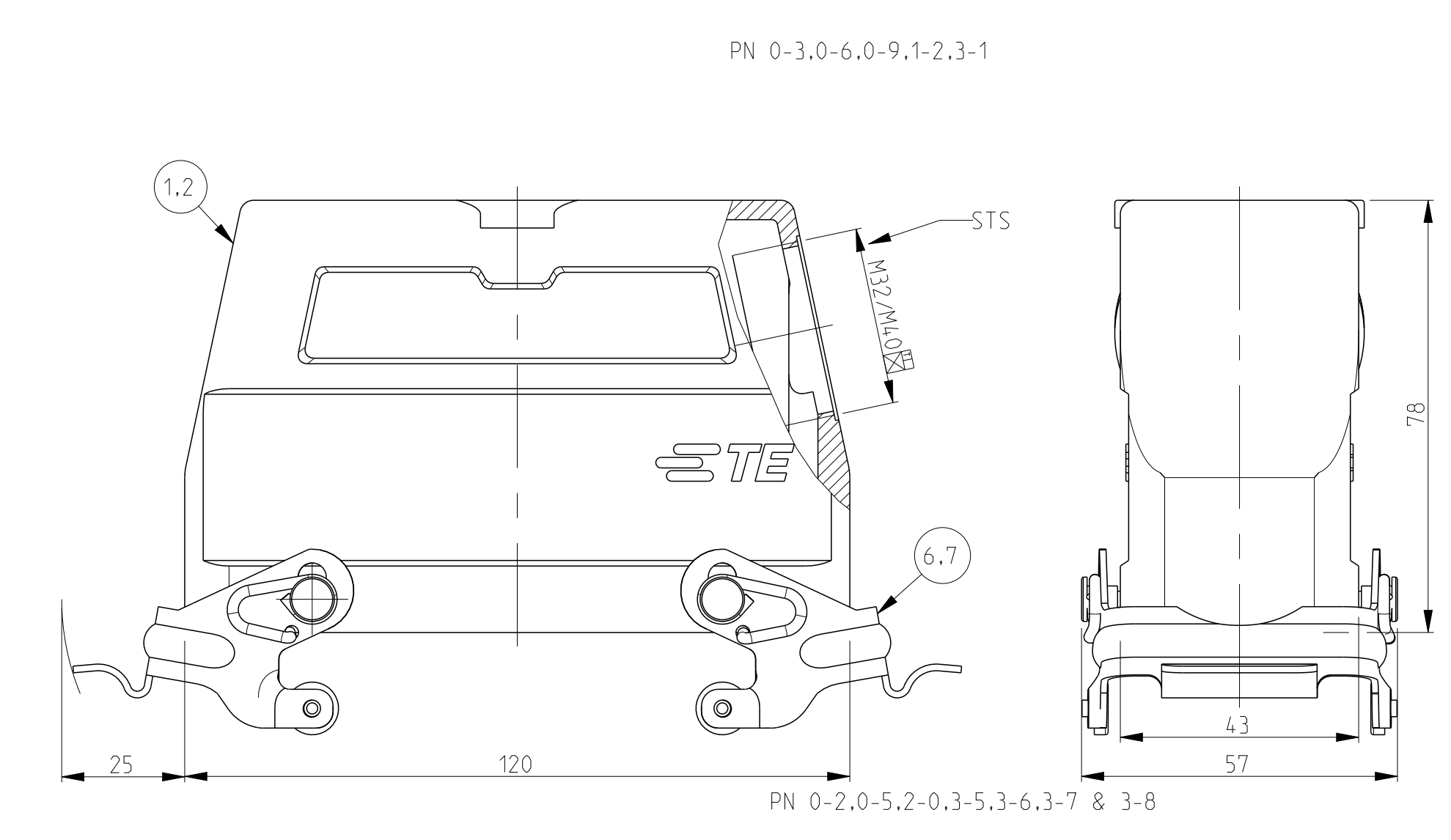


LOC	DIST	REVISIONS			
A1	-	REV	DATE	BY	APPD
		A16	ECR-14-013782	23SEP2014	RK MKO
		A17	ECR-16-016696	24MAY2017	GM MKO
		A18	ECR-16-016780	19NOV2017	GR MKO
		A19	REVISED PER ECR-17-014013	14FEB2018	SRG MKO



- NOTES:
- Material:Housing:Aluminium Diecasting Alloy
 - Surface:Varnish grey
 - Varnish on the inside not necessary
 - Packaging Quantity 5 Pieces in a box
 - Without TE-Product sign
 - Special Packaging Quantity 50 Pieces in a Kanban box



QTY	DESCRIPTION	MATERIAL	SURFACE	COLOR	ITEM NO	NOTES
1	HD-K HOOD	Aluminium	Aluminium oxide	Black	17	
1	HD HOOD	Aluminium		GREY	16	
1	HD HOOD	Aluminium		GREY	15	
1	HD-EMV Hood	Aluminium	chromit Al passivation	Black	14	
1	HD Hood	Aluminium		Grey	13	
1	HD Hood	Aluminium	Neutral	Grey	12	Without TE-Logo
1	ZB-Central clip	Stainless steel	Blank		11	
1	ZB-Central clip	Steel	zinc plated	Blue	10	
2	LB-Clip bolt	Stainless steel	Blank	Blue	9	
2	LB-Clip bolt	Steel	zinc plated	Blue	8	
2	VS-Side clip	Stainless steel	Blank		7	
2	VS-Side clip	Steel	zinc plated	Blue	6	
2	VS-Clip bolt	Stainless steel	Blank	Blue	5	
2	VS-Clip bolt	Steel	zinc plated	Blue	4	
1	HD Hood	Aluminium		Grey	3	Without TE-Logo
1	HD-K Hood	Aluminium	Aluminium oxide	Black	2	
1	HD Hood	Aluminium		Grey	1	

REV	DATE	BY	APPD	DESCRIPTION	MATERIAL	SURFACE	COLOR	ITEM NO	NOTES
1	30-Nov-07	Schneider							
2	30-Nov-07	Schweiger							