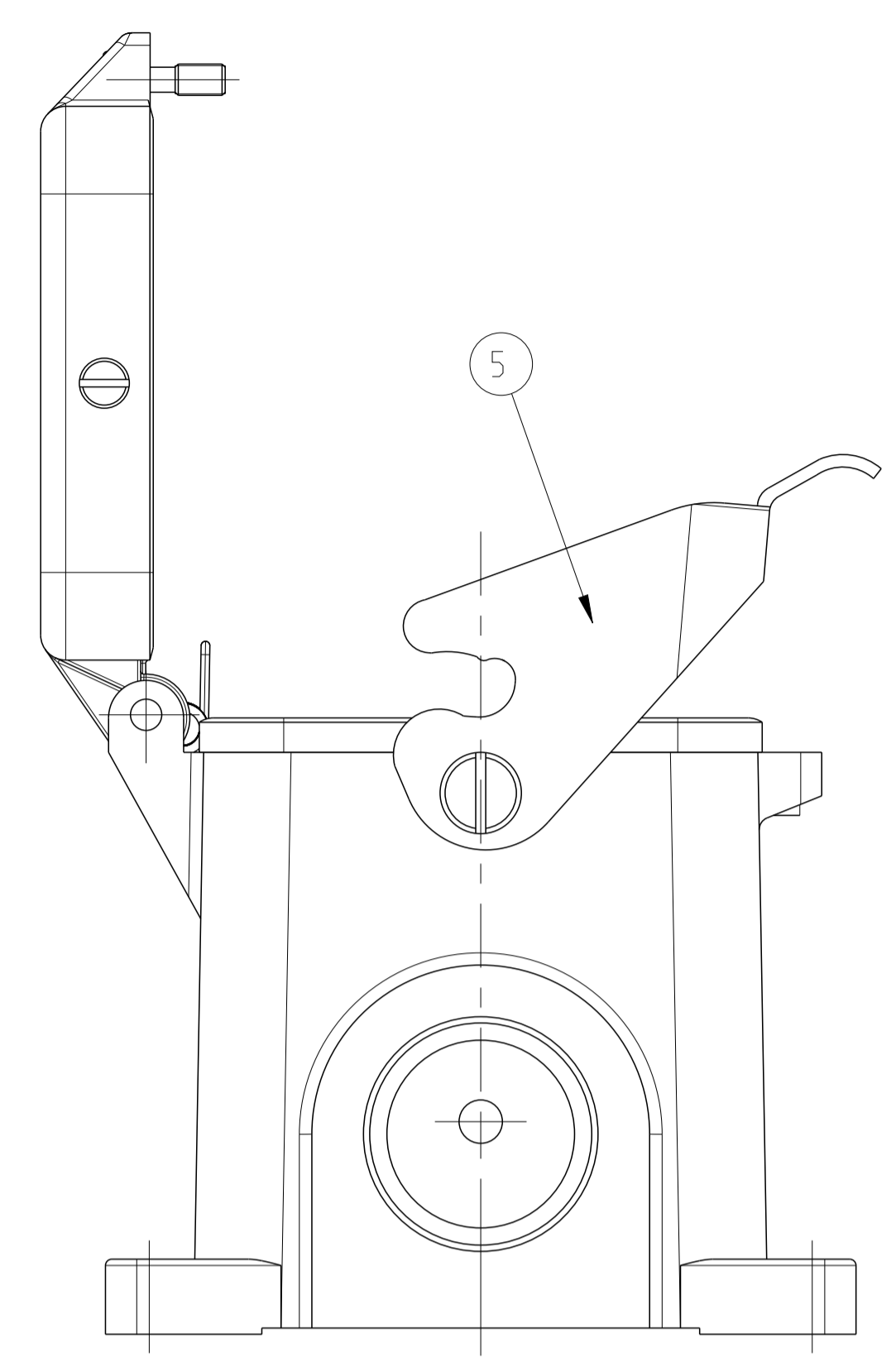
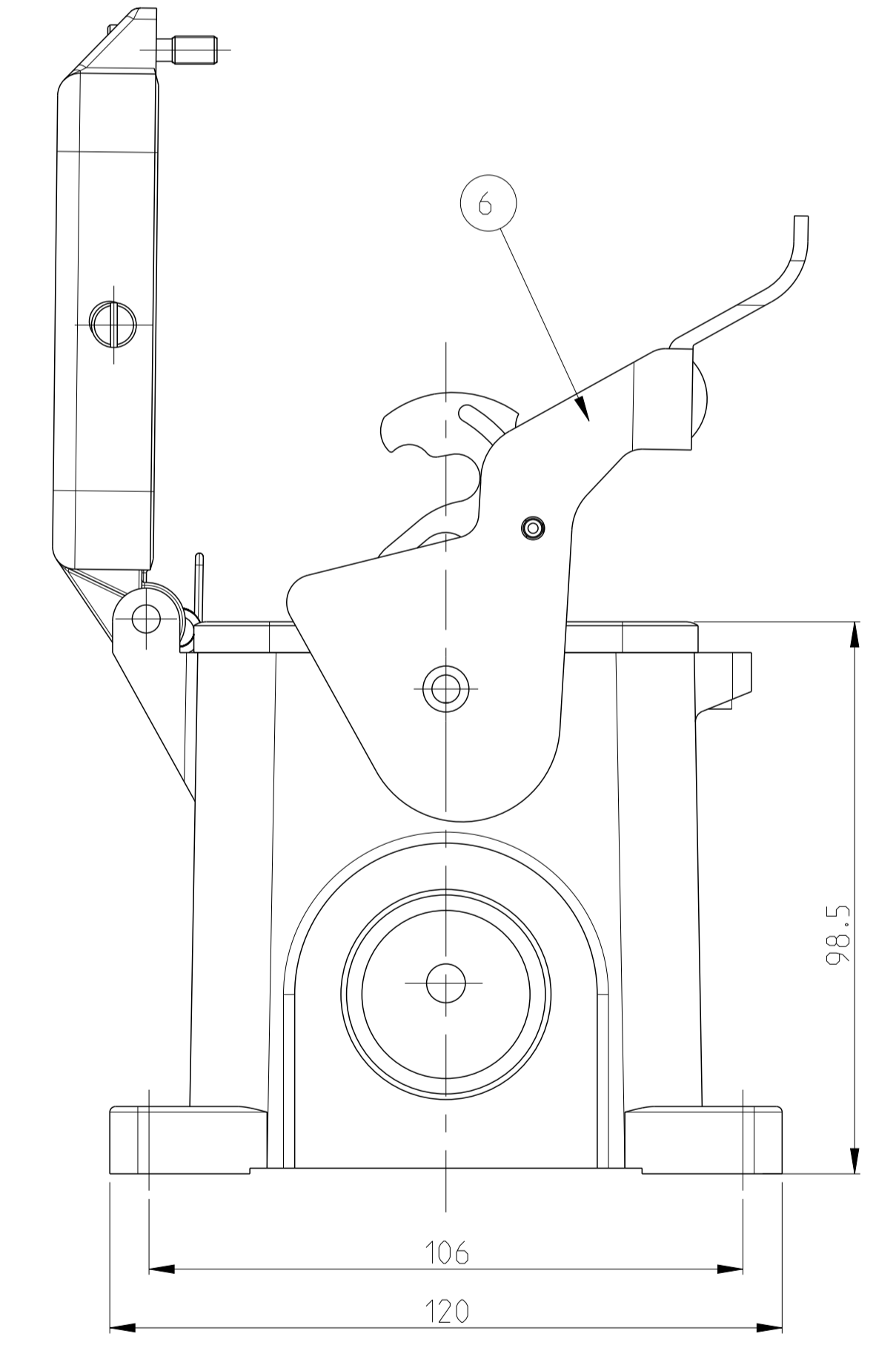
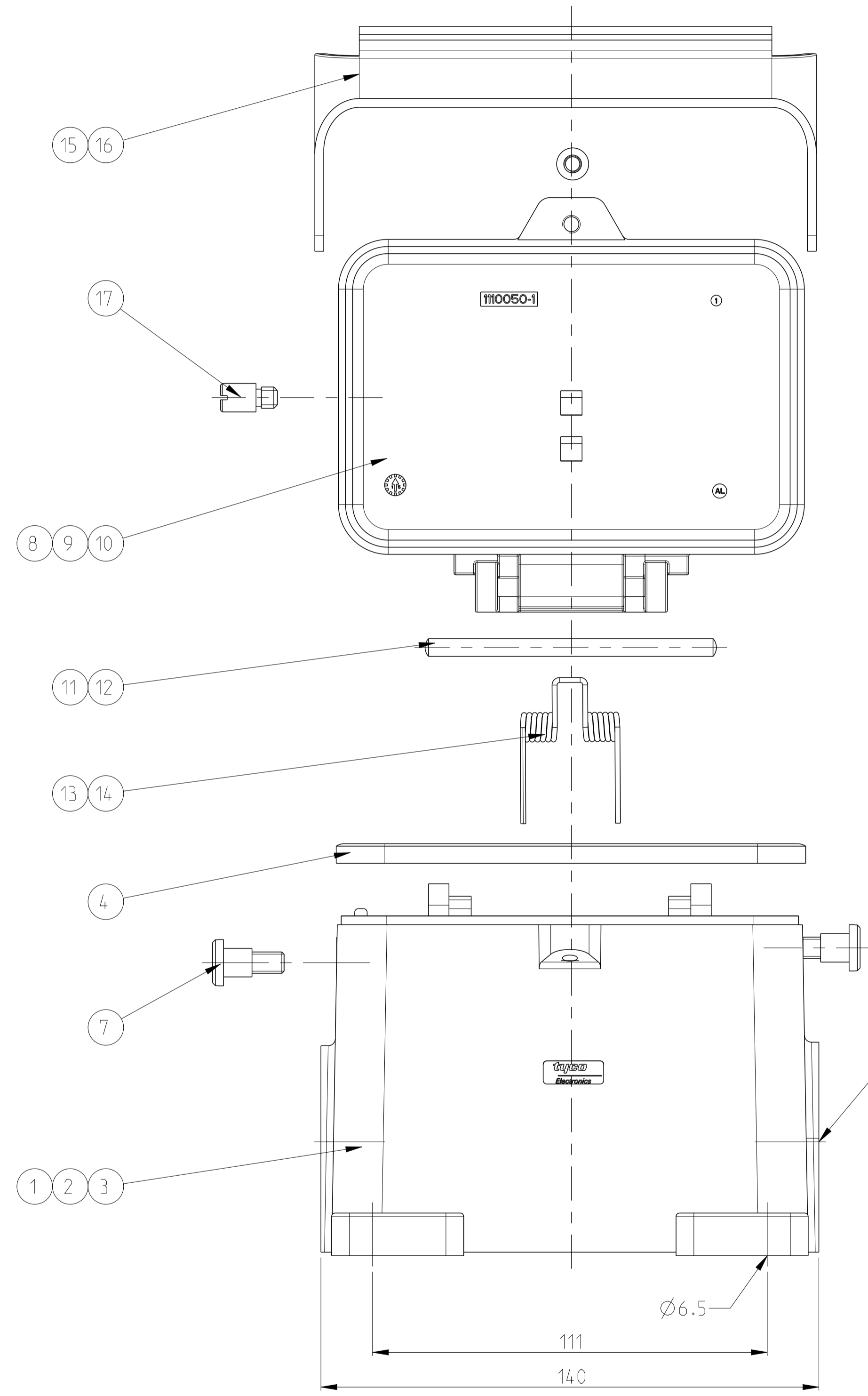


LOC		DIST		REVISIONS			
P	LTN	DESCRIPTION	DATE	DWN	APVD		
A3		new pro/E drawing ECR-09-003111	28JAN2009	SR	AR		
A4		ECR-15-000844	29JAN2015	GSK	MKO		
A5		REVISED PER ECR-16-016780	21AUG2017	NG	MKO		



- NOTES
- PART SHALL BE FREE AND CLEAN OF BURRS AND OTHER FOREIGN MATERIAL
 - PACKAGING: QUANTITY 2 PIECES
 - VARNISHING INSIDE HOUSING NOT REQUIRED

QTY	DESCRIPTION	MATERIAL	SURFACE	COLOR	ITEM	NOTES
1	CLIP BOLT	STAINLESS STEEL	BLANC		17	
1	CILYNDER SCREW	STAINLESS STEEL	BLANC		16	M5x16
1	CILYNDER SCREW	STEEL	ZINC PLATED	BLUE	15	M5x16
1	LEG SPRING	STAINLESS STEEL	BLANC		14	
1	LEG SPRING	STEEL	ZINC PLATED	BLUE	13	
1	RIVET PIN	STAINLESS STEEL	BLANC		12	5x80
1	RIVET PIN	STEEL	ZINC PLATED	BLUE	11	5x80
1	COVER	ALUMINIUM		WITHOUT VARNISH	10	
1	COVER	ALUMINIUM	ALUMINIUMOXID	BLACK	9	
1	COVER	ALUMINIUM		GREY	8	
2	SLOTTED PAN HEAD SCREW	STAINLESS STEEL	BLANC		7	M6x8
1	SIDE CLIP	STAINLESS STEEL	BLANK		6	
1	SIDE CLIP	STEEL	ZINC PLATED	BLUE	5	
1	PRPOFIL SEAL	NEOPRENE		BLACK	4	
1	SURFACE MOUNTED HOUSING SIDE ENTRY	ALUMINIUM		WITHOUT VARNISH	3	WITHOUT Pg
1	SURFACE MOUNTED HOUSING SIDE ENTRY	ALUMINIUM	ALUMINIUMOXID	BLACK	2	
1	SURFACE MOUNTED HOUSING SIDE ENTRY	ALUMINIUM		GREY	1	
0-1	DESCRIPTION	MATERIAL	SURFACE	COLOR	ITEM	NOTES
	HB.48.SGD-LB.1.29.Z					
	HB-K.48.SGD-LB.1.29.Z					
	HB.48.SGD-LB-V2A					

THIS DRAWING IS A CONTROLLED DOCUMENT. DWN: R. SCHNEIDER 28JAN2009
 CHK: T. SCHNURPFEL 28JAN2009

TE Connectivity

NAME: SURFACE MOUNTED HOUSING SIDE ENTRY
 HB.48.SGD-LB.1.29.Z

SIZE: A1 CAGE CODE: 00779 DRAWING NO: 1107001
 SCALE: 1:1 SHEET 1 OF 1 REV: A5