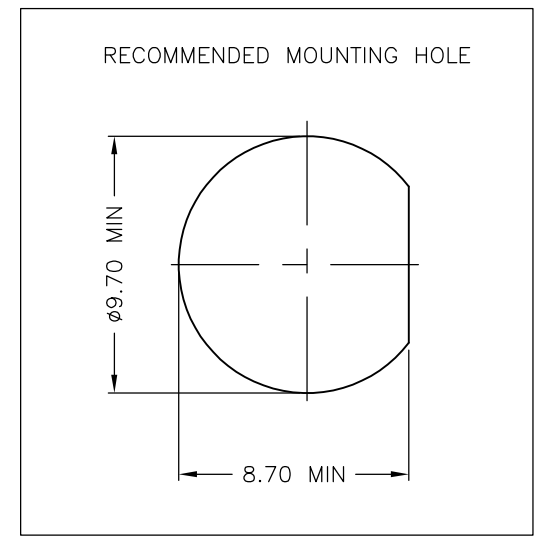
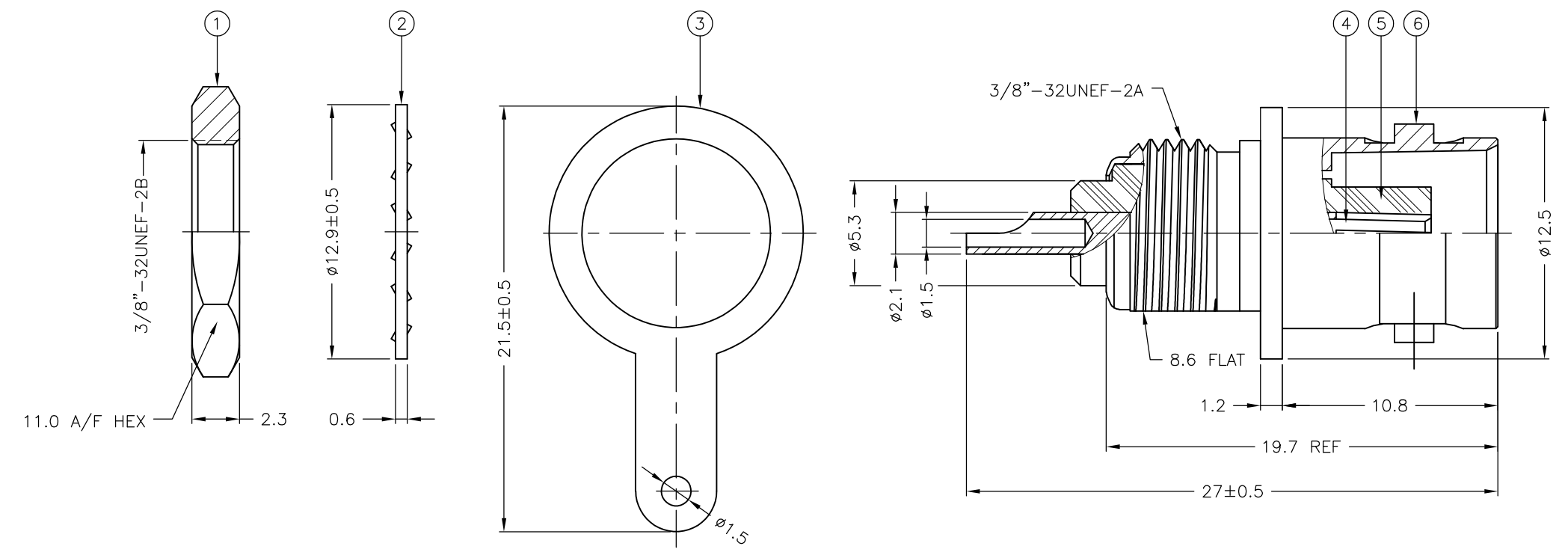


THIS DRAWING IS UNPUBLISHED. RELEASED FOR PUBLICATION DEC ,2005.  
 © COPYRIGHT 2005 By - ALL RIGHTS RESERVED.

LOC	DIST	REVISIONS					
E	B	P	LTR	DESCRIPTION	DATE	DWN	APVD
		D		ECR-15-002281	12FEB2015	RZ	MC


- NOTES:
- 1 SINGLE PACKING: ONE CONNECTOR PER LABELED BAG PACKAGED. LABELED PER TEC-107-115
  - 2 TRAY PACKAGED
  - 3 Ag PLATING

- 4 ELECTRICAL CHARACTERISTICS
- |                               |                            |
|-------------------------------|----------------------------|
| FREQUENCY RANGE:              | DC - 4 GHz                 |
| NOMINAL IMPEDANCE:            | 50 Ohm                     |
| INSULATION RESISTANCE:        | 5000 MOhm                  |
| WORKING VOLTAGE:              | 500 Volts RMS at Sea Level |
| DIELECTRIC WITHSTAND VOLTAGE: | 1500 Volts RMS Max         |
| CONTACT RESISTANCE:           |                            |
| CENTER CONTACT:               | 1.50 mOhm Max              |
| OUTER CONTACT:                | 1.00 mOhm Max              |
| VSWR @ 3GHz:                  | 1.35 Max                   |
| INSERTION LOSS xdb:           | N/A                        |
- 5 MECHANICAL CHARACTERISTICS
- |                               |                |
|-------------------------------|----------------|
| COUPLING RETENTION FORCE:     | N/A            |
| CABLE RETENTION FORCE:        | N/A            |
| MOUNT NUT RECOMMENDED TORQUE: | 2.5 Nm         |
| DURABILITY:                   | 500 Cycles Min |
- 6 ENVIRONMENTAL CHARACTERISTICS
- |                        |                  |
|------------------------|------------------|
| OPERATING TEMPERATURE: | -65 to +165 DegC |
|------------------------|------------------|



QTY	QTY PER ASSY	QTY PER ASSY	MATERIAL	DESCRIPTION	ITEM
1	1		BRASS	BODY	6
1	1		PTFE	INSULATION	5
1	1		PHOSPHOR BRONZE	CONTACT	4
1	1		BRASS	SOLDER TAG	3
1	1		STEEL	LOCKWASHER	2
1	1		BRASS	HEX NUT	1
6--0	1--0		MATERIAL	DESCRIPTION	ITEM

THIS DRAWING IS A CONTROLLED DOCUMENT.		DWN	J.SANDWELL	13DEC05
DIMENSIONS: mm		CHK	S.PARLOW	13DEC05
TOLERANCES UNLESS OTHERWISE SPECIFIED:		APVD	F.WHEELER-KING	13DEC05
0 PLC	± -	PRODUCT SPEC		
1 PLC	± 0.2	APPLICATION SPEC		
2 PLC	± -	WEIGHT		
3 PLC	± -	CUSTOMER DRAWING		
4 PLC	± -	SCALE NTS		
ANGLES	± -	SHEET 1 OF 1		
MATERIAL	FINISH	RESTRICTED TO		
SEE TABLE	-	REV D		



TE Connectivity

**BNC BULKHEAD SOCKET FRONT MOUNT**

50 OHM + TAG

SIZE	CAGE CODE	DRAWING NO	RESTRICTED TO
A3	00779	C-1337450	-