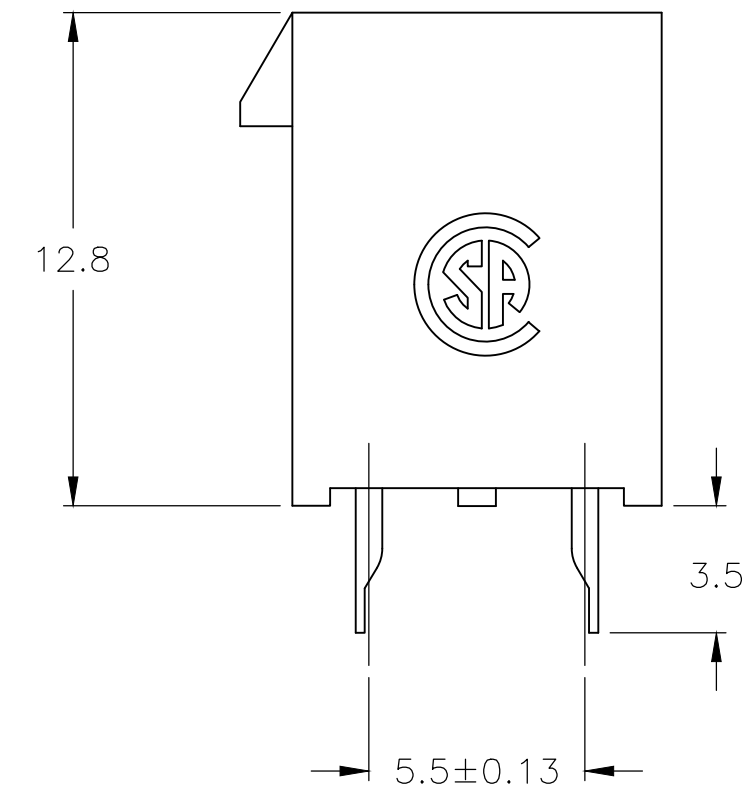
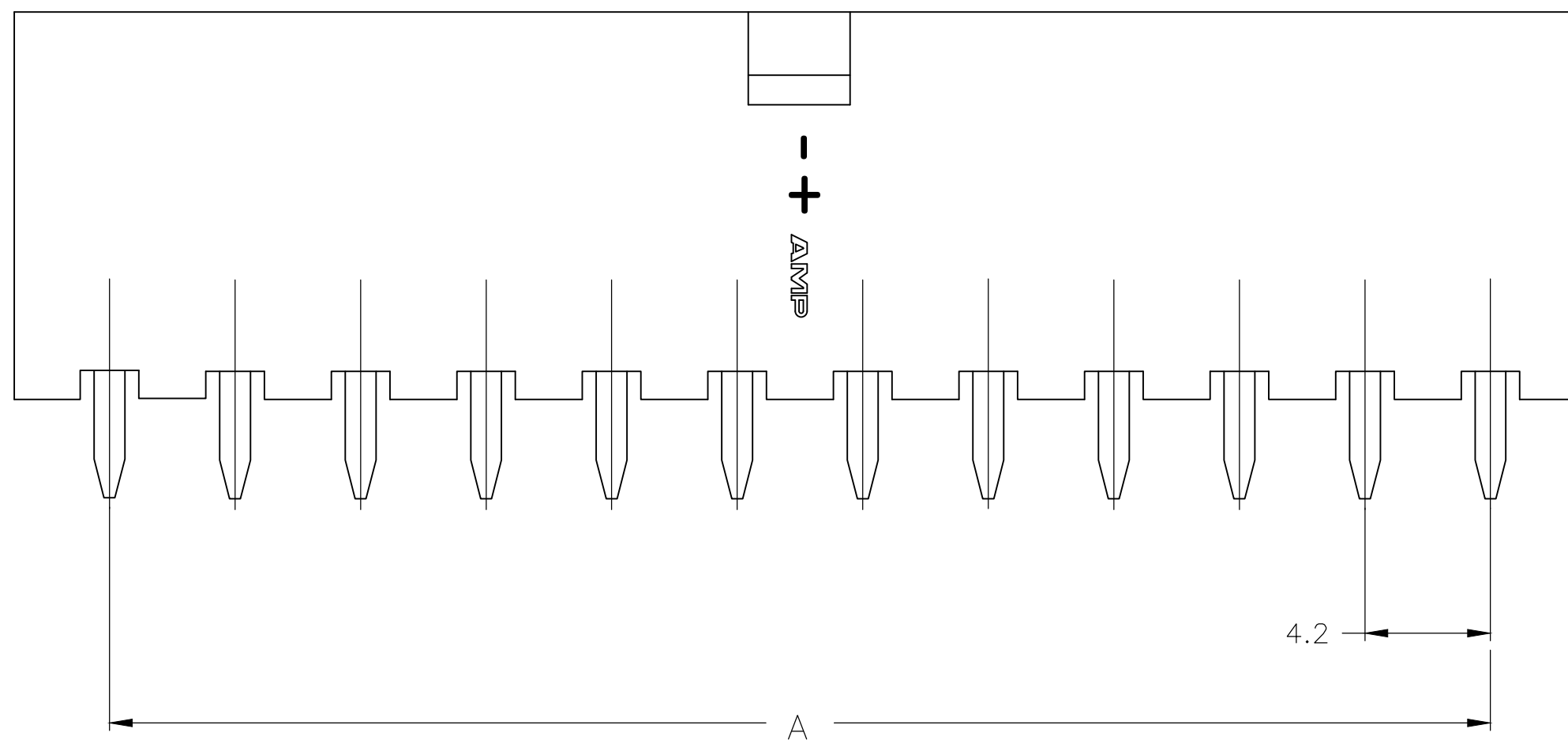
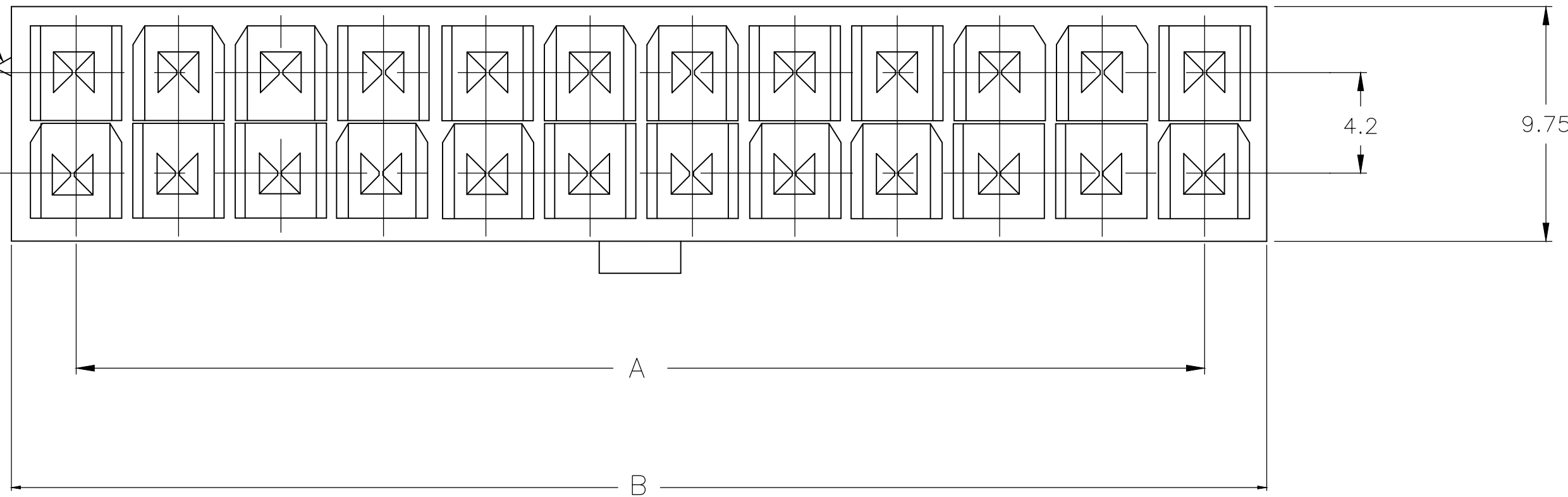


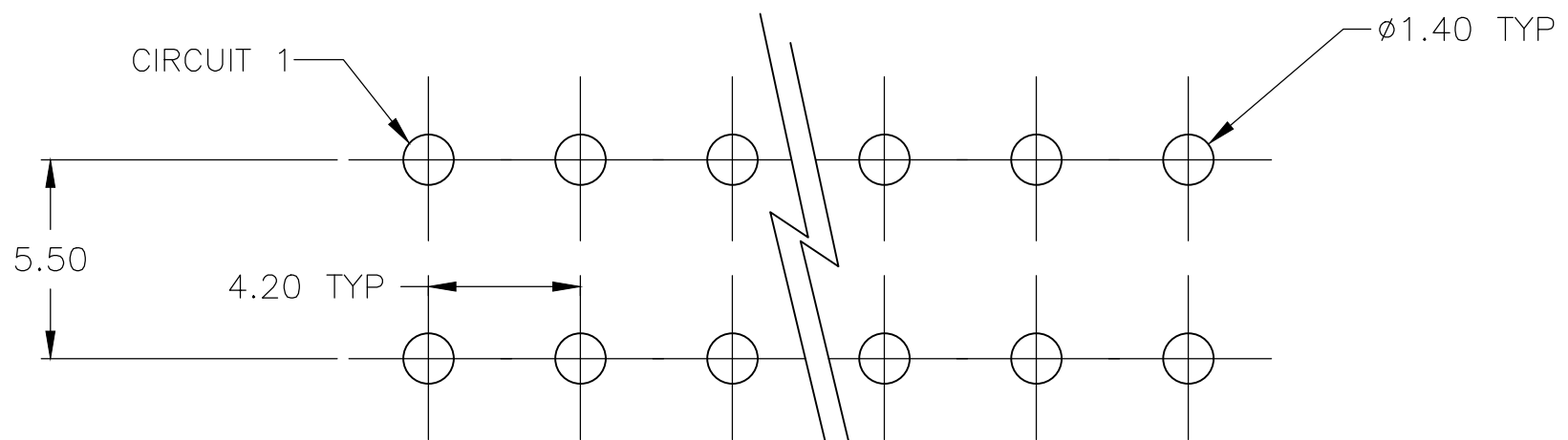
| REVISIONS | | | | | |
|-----------|-----|---------------------------|-----------|-----|------|
| P | LTR | DESCRIPTION | DATE | DWN | APVD |
| C6 | | REVISED PER ECR-19-013240 | 06MAY2020 | WH | DZ |

POSITION 1 IDENTIFICATION FEATURE

- 1 MATERIAL: HOUSING-NYLON, UL94V-0 (COLOR-NATURAL, COLOR OF PARTS MAY VARY) CONTACTS-0.25 [.010] THICK BRASS ALLOY.
- 2 CONTACT FINISH: 0.002032 [.000080] MIN BRIGHT TIN OVER 0.000762 [.000030] MIN NICKEL OVER ENTIRE CONTACT.
- 3 MATES WITH VAL-U-LOK(TM) RECEPTACLE HOUSINGS.



| | | | |
|-----|-----------|--------|-------------|
| 24 | 46.2±0.25 | 51.6 | 2-1586038-4 |
| 22 | 42.0±0.25 | 47.4 | 2-1586038-2 |
| 20 | 37.8±0.25 | 43.2 | 2-1586038-0 |
| 18 | 33.6±0.25 | 39.0 | 1-1586038-8 |
| 16 | 29.4±0.25 | 34.8 | 1-1586038-6 |
| 14 | 25.2±0.25 | 30.6 | 1-1586038-4 |
| 12 | 21.0±0.25 | 26.4 | 1-1586038-2 |
| 10 | 16.8±0.13 | 22.2 | 1-1586038-0 |
| 8 | 12.6±0.13 | 18.0 | 1586038-8 |
| 6 | 8.4±0.13 | 13.8 | 1586038-6 |
| 4 | 4.2±0.13 | 9.6 | 1586038-4 |
| 2 | | 5.4 | 1586038-2 |
| POS | A | B±0.25 | PART NUMBER |



PCB LAYOUT: COMPONENT SIDE
RECOMMENDED BOARD THICKNESS 1.60

2-1586038-4 SHOWN

| | | | | |
|--|--|----------------------------|--------------------------------|-----------------|
| THIS DRAWING IS A CONTROLLED DOCUMENT. | | DWN S. HOOVER 18-SEP-2002 | TE Connectivity | |
| DIMENSIONS: mm [INCHES] | | CHK D. COLEY 18-SEP-2002 | | |
| TOLERANCES UNLESS OTHERWISE SPECIFIED: | | APVD D. COLEY 18-SEP-2002 | NAME | |
| 0 PLC ± | | PRODUCT SPEC 108-2112 | WITH DRAIN HOLES VAL-U-LOK(TM) | |
| 1 PLC ± 0.5 | | APPLICATION SPEC 114-13172 | SIZE A2 | CAGE CODE 00779 |
| 2 PLC ± 0.25 | | MATERIAL 1 | DRAWING NO C=1586038 | RESTRICTED TO |
| 3 PLC ± | | FINISH 2 | SCALE N/A | SHEET 1 of 1 |
| 4 PLC ± | | | REV C6 | |
| ANGLES ± | | | | |