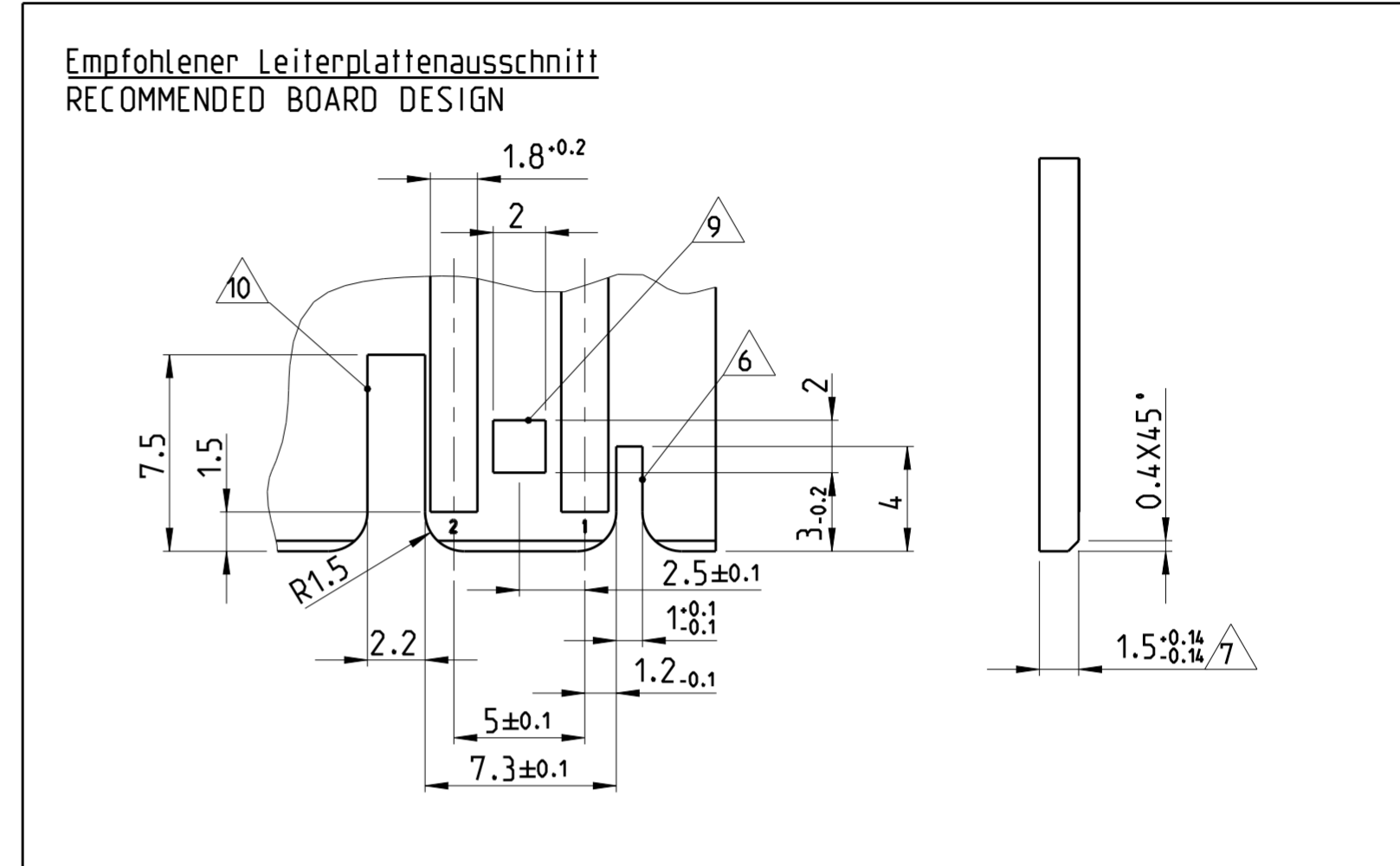
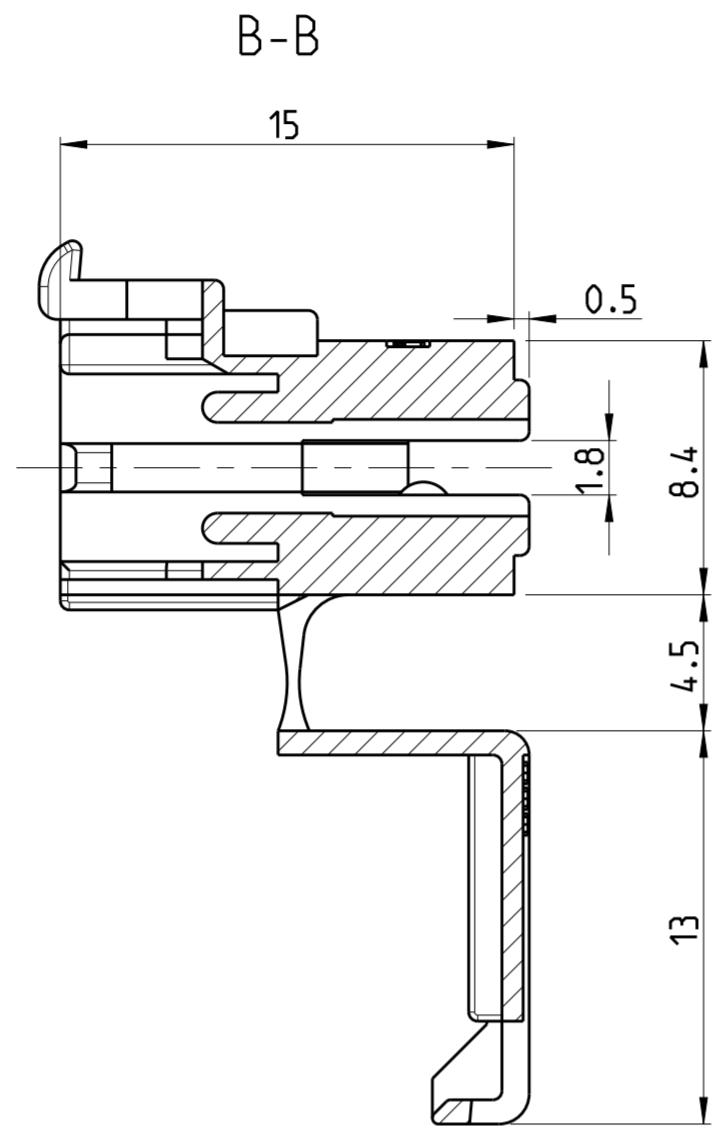
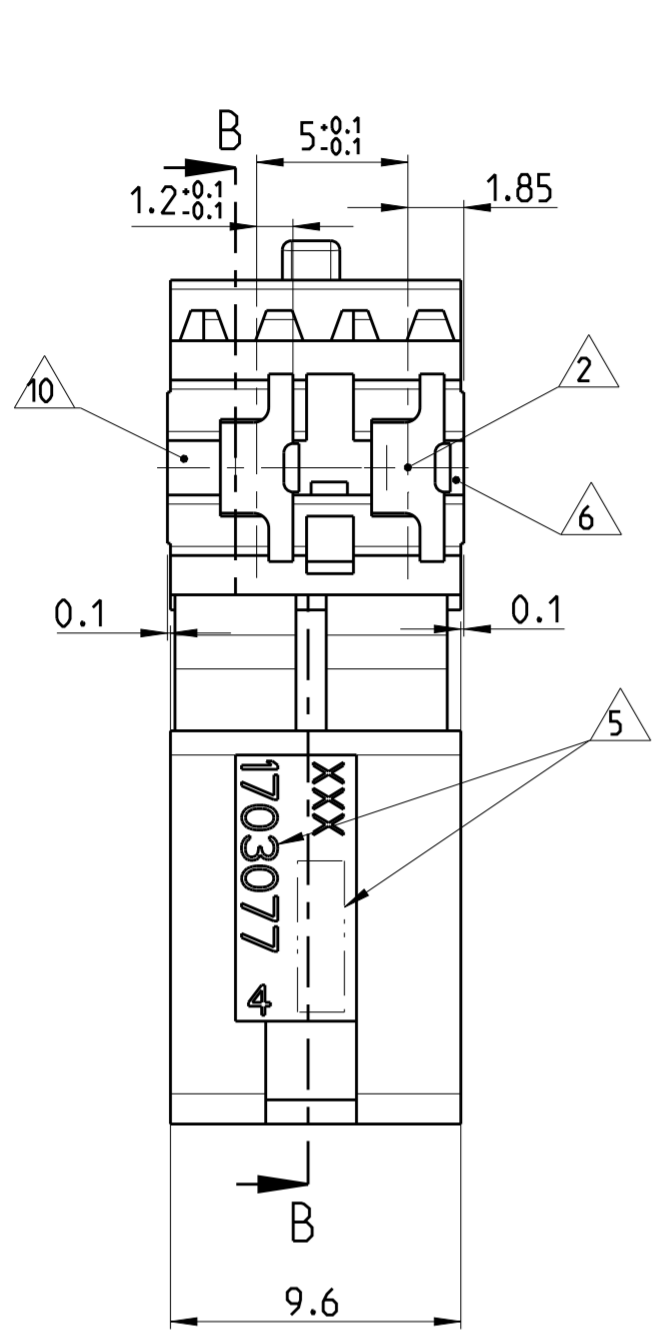


THIS DRAWING IS UNPUBLISHED. RELEASED FOR PUBLICATION
 © COPYRIGHT copyright_date BY - ALL RIGHTS RESERVED.

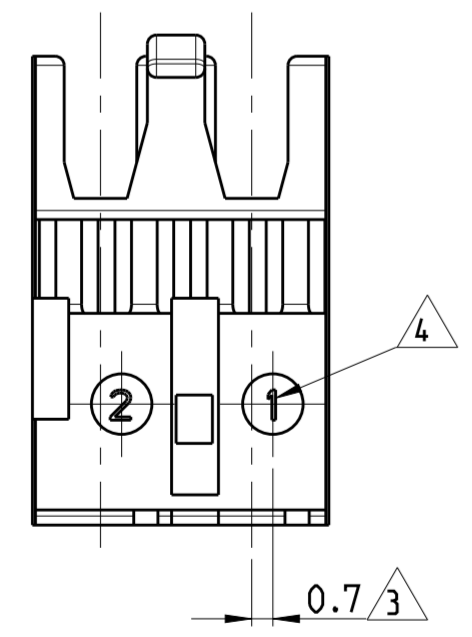
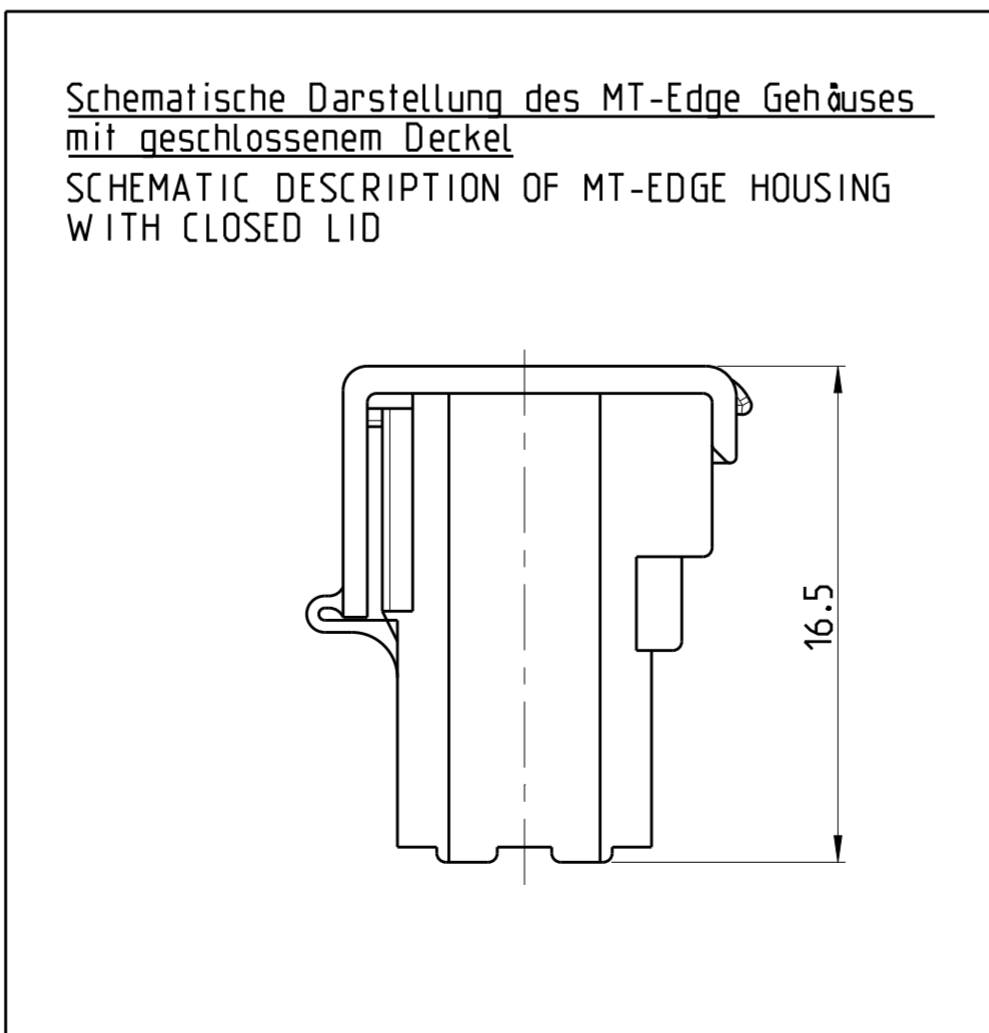
REVISIONS					
P	LTR	DESCRIPTION	DATE	DWN	APVD
C		INITIAL RELEASE	06AUG2013	MKD	RRP



Bemerkungen
NOTES

- 1 Massgebend ist der deutsche Text
ONLY THE GERMAN-LANGUAGE VERSION SHALL BE BINDING
- 2 Lage des Kontaktpunktes auf der Leiterplatte; Abweichung ±0.4
POSITION OF CONTACT POINT ON BOARD: DEVIATION ±0.4
- 3 Kontaktierung zur Drahtmitte um 0.7mm versetzt
CONTACTING 0.7mm DISPLACED TO WIRE CENTRELINE
- 4 Kontaktkammer-Nr.
CONTACT CAVITY #
- 5 Firmenlogo und Leergehäuse-Nr.
ARTWORK LOGO AND HOUSING # (NON LOADED)
- 6 Kodersteg Vor Erster Kammer
KEYING RIB BEFORE FIRST CAVITY
- 7 Ausführung nach DIN 60249-2-4
BOARD DESIGN ACCORDING TO DIN 60249-2-4
- 8 Crimp Kontakt-Nr.:
Material: CuSn4 926770-1, 926917-1
CRIMP CONTACT #: MATERIAL: CuSn4
- 9 SQUARE HOLE 2X2 mm OPTIONAL LOCKING HOLE Ø2.5 mm
- 10 Kodersteg Nach Letzter Kammer
KEYING RIB AFTER LAST CAVITY
- 11 MATERIAL ACCORDING TO IEC 60335-1 (INCLUDING GWT 750 °C NO FLAME)

1-1703077-1	11	MT-EDGE HOUSING	NATURE
PART-NO.:		DESCRIPTION	COLOUR



THIS DRAWING IS A CONTROLLED DOCUMENT.		DWN DHANESH 06-Aug-13	TE Connectivity	
DIMENSIONS: mm		CHK DHANESH 06-Aug-13		
TOLERANCES UNLESS OTHERWISE SPECIFIED:		APVD RAJENDRA 06-Aug-13	NAME 2- WAYS MT- EDGE - HOUSING LOOSE PIECE VERSION	
0 PLC ±	±0.2	PRODUCT SPEC 108-18003	SIZE A2	CAGE CODE 00779
1 PLC ±	±	APPLICATION SPEC 114-18002	DRAWING NO C-1703077	RESTRICTED TO -
2 PLC ±	±	WEIGHT -	SCALE 4:1	SHEET 1 OF 1
3 PLC ±	±	MATERIAL 11 PA6/ UL94 V2	CUSTOMER DRAWING	REV C
4 PLC ±	±			
ANGLES	±			
FINISH	±			