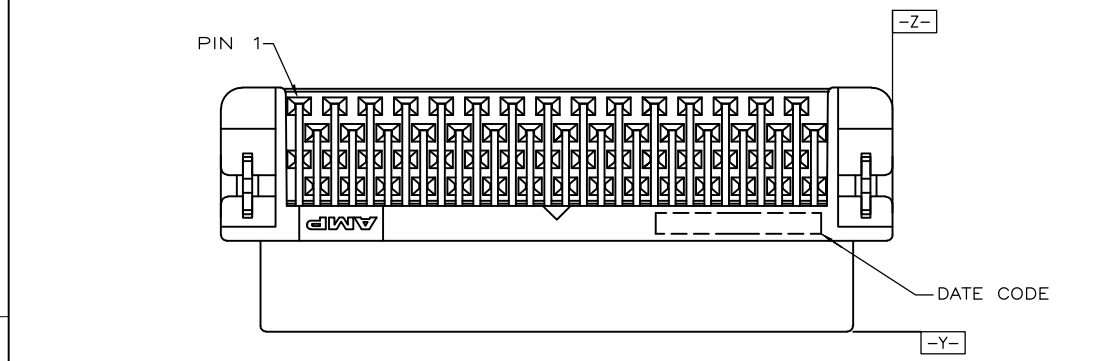
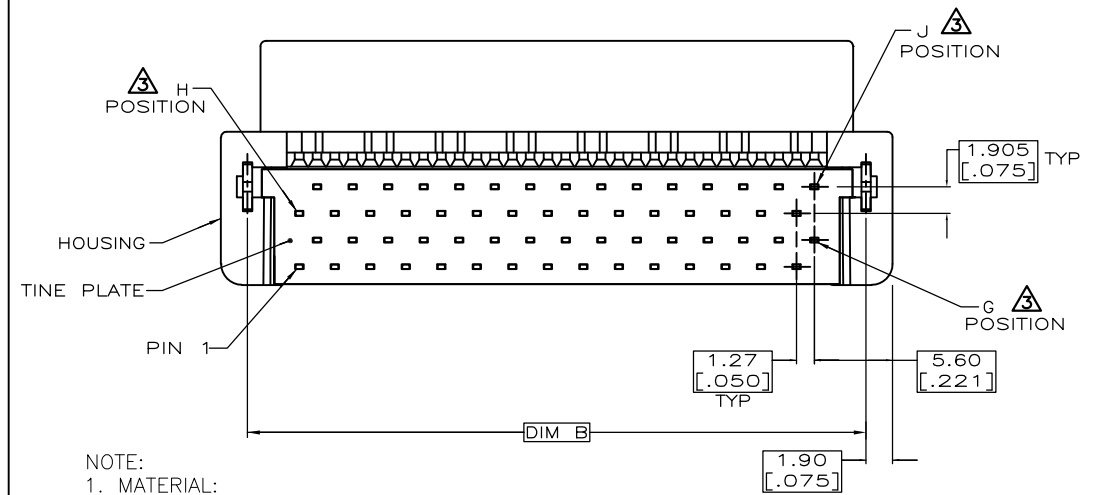
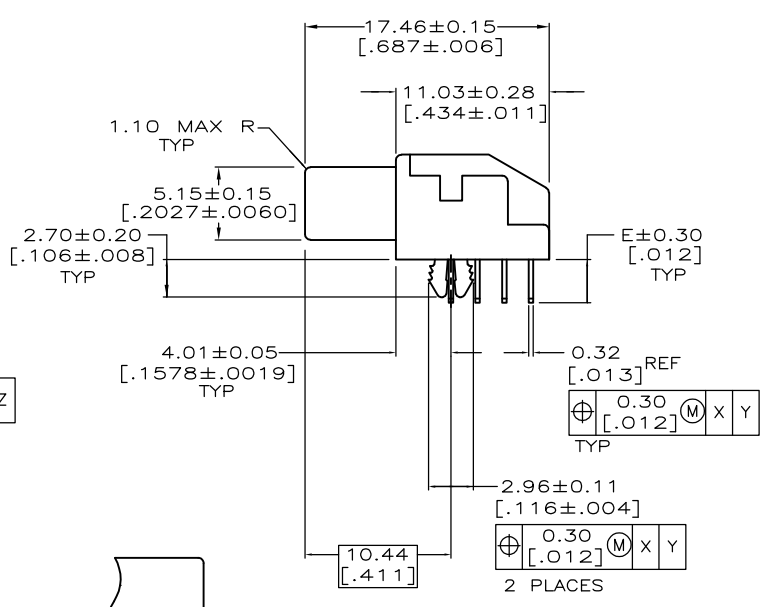
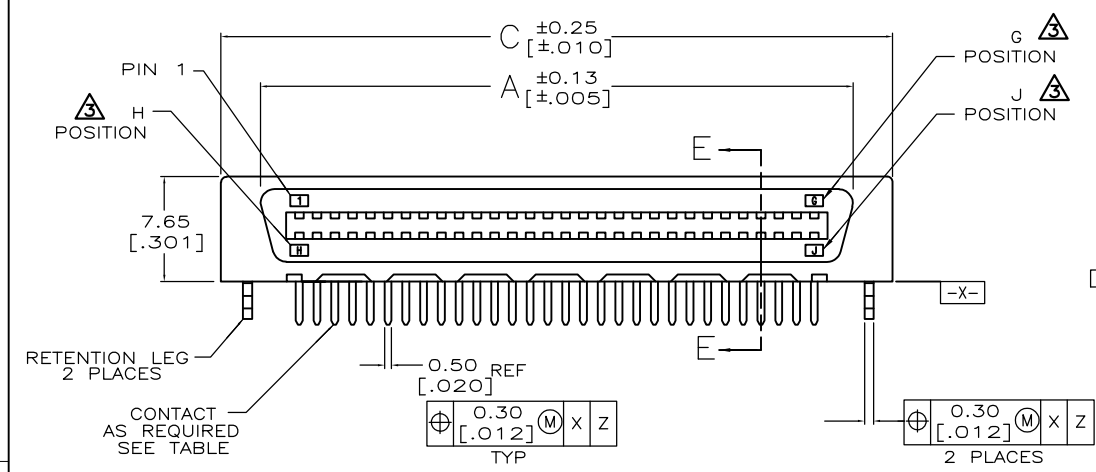


THIS DRAWING IS UNPUBLISHED. RELEASED FOR PUBLICATION  
 © COPYRIGHT - By - ALL RIGHTS RESERVED.

LOC	DIST	REVISIONS			
P	LTR	DESCRIPTION	DATE	DWN	APVD
DW	/	G1	REVISED PER ECR-12-013026	08APR13	K.M E.T



FOR 50, AND 130 POSITIONS ONLY



- NOTE:  
 1. MATERIAL:  
 HOUSING: LIQUID CRYSTAL POLYMER (LCP), UL 94V-0, BLACK COLOR.  
 CONTACTS: PHOSPHOR BRONZE.  
 BOARDLOCKS: BRASS.  
 2. FINISH:  
 CONTACTS: (SEE TABLE) GOLD PLATED ON CONTACT AREA, 3.81µm [150µ"] MIN. MATTE-TIN ON SOLDER TAIL, OVER 1.27mm [50m"] MIN. NICKEL UNDERPLATED.  
 BOARDLOCKS: 3.81µm [150µ"] MIN. TIN-Cu OVER 1.27mm [50m"] MIN. UNDERPLATED.  
 G, J, AND H INDICATES NUMBER OF POSITION MARKED ON ASSEMBLY. ALSO SEE TABLE.  
 CONNECTOR SOLDER TAILS WILL ACCOMMODATE PRINTED CIRCUIT BOARD THICKNESS OF 0.80 TO 1.60 [.031 TO .063].  
 BOARDLOCKS NOT PRESENT.  
 6. WAVE SOLDER CAPABLE TO 265°C PER TEST SPEC. 109-202, CONDITION B.  
 GOLD FLASH OVER 0.762µm [30µ"] MIN. PALLADIUM-NICKEL PLATED.  
 OBSOLETE

LOC	DIST	P	LTR	DESCRIPTION	DATE	DWN	APVD	FINISH	PART NUMBER	POS.
				GOLD FLASH	5-1734037-6					
				0.381µm[15u"]	3-1734037-6	160				
					1-1734037-6					
				GOLD FLASH	5-1734037-4					
				0.381µm[15u"]	3-1734037-4	140				
					1-1734037-4					
				GOLD FLASH	2-1734037-0					
				0.381µm[15u"]	1-1734037-8	120				
					1-1734037-2					
				GOLD FLASH	5-1734037-1					
				0.381µm[15u"]	3-1734037-1	100				
					1-1734037-1					
				GOLD FLASH	5-1734037-0					
				0.381µm[15u"]	3-1734037-0					
					1-1734037-0					
				GOLD FLASH	4-1734037-7					
				0.381µm[15u"]	2-1734037-7	68				
					1734037-7					
				GOLD FLASH	4-1734037-6					
				0.381µm[15u"]	2-1734037-6	60				
					1734037-6					
				GOLD FLASH	4-1734037-5					
				0.381µm[15u"]	2-1734037-5	50				
					1734037-5					
				GOLD FLASH	4-1734037-4					
				0.381µm[15u"]	2-1734037-4	40				
					1734037-4					
				GOLD FLASH	4-1734037-2					
				0.381µm[15u"]	2-1734037-2	80				
					1734037-2					
				GOLD FLASH	4-1734037-1					
				0.381µm[15u"]	2-1734037-1					
					1734037-1					

THIS DRAWING IS A CONTROLLED DOCUMENT.

DIMENSIONS:	TOLERANCES UNLESS OTHERWISE SPECIFIED:
mm	0 PLC ± -
	1 PLC ± 0.3
	2 PLC ± 0.2
	3 PLC ± -
	4 PLC ± -
	ANGLES ± 3'
MATERIAL	FINISH
SEE NOTE	SEE NOTE

THIS DRAWING IS A CONTROLLED DOCUMENT.

DWN F. YANG 31MAR2009  
 CHK S. CHIEN 31MAR2009  
 APVD W. KODAMA 31MAR2009  
 PRODUCT SPEC  
 108-57876  
 APPLICATION SPEC

NAME  
 RECEPTACLE ASSEMBLY, R/A, BTB, CHAMP.050, SERIES I

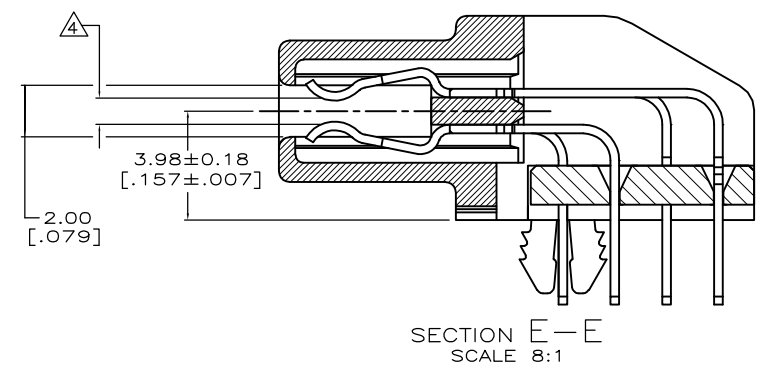
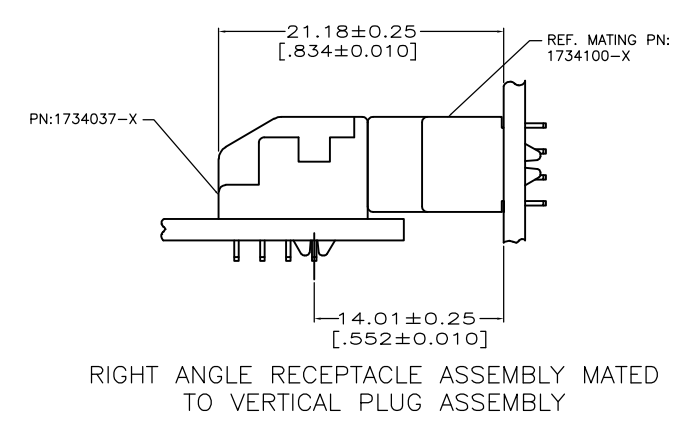
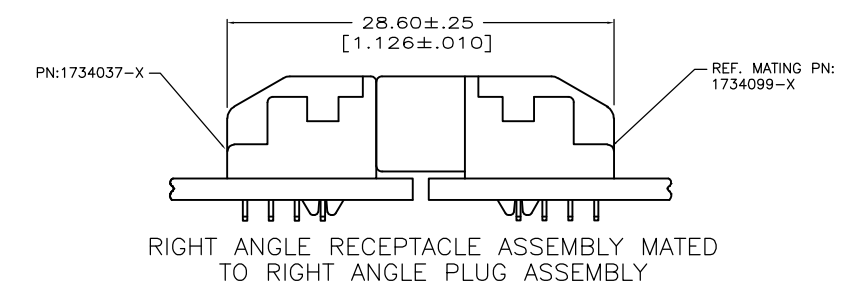
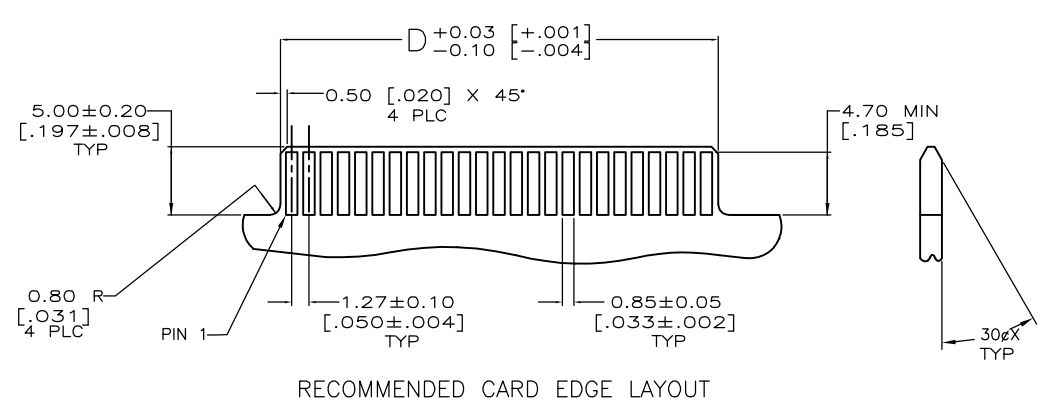
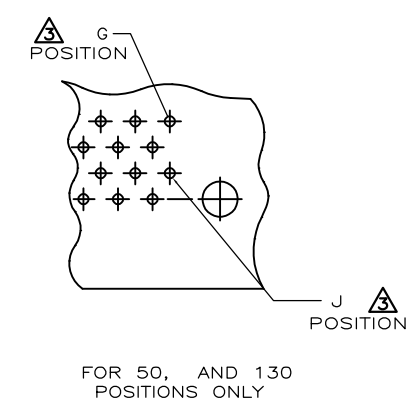
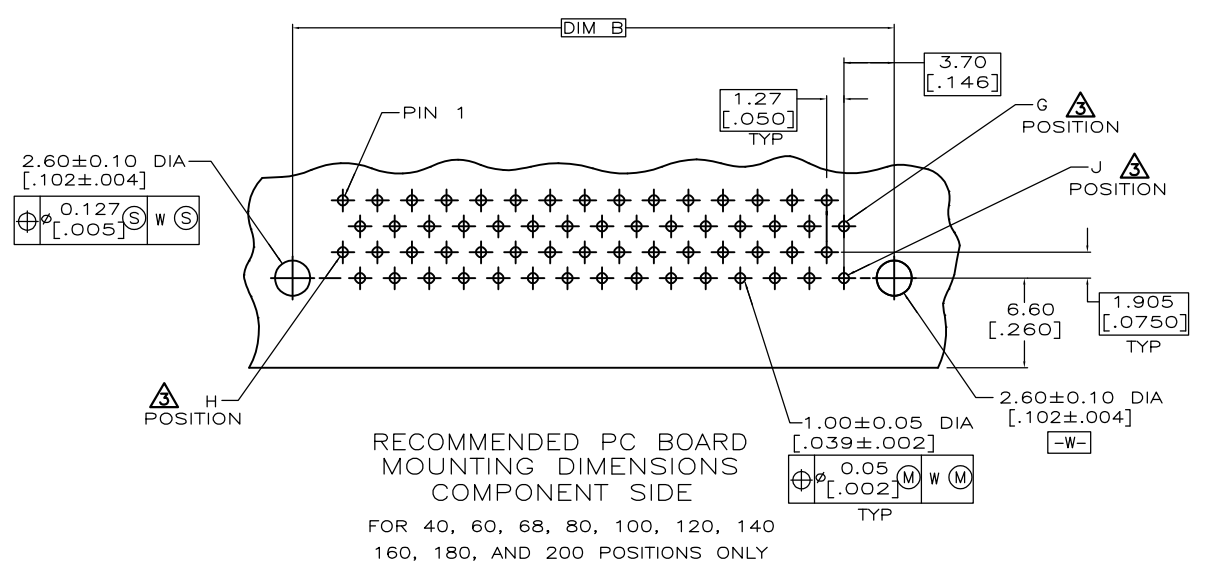
SIZE A3 CAGE CODE 00779 DRAWING NO C-1734037 RESTRICTED TO -

SCALE - SHEET 1 OF 4 REV G1

CUSTOMER DRAWING

THIS DRAWING IS UNPUBLISHED. RELEASED FOR PUBLICATION  
 © COPYRIGHT - By - ALL RIGHTS RESERVED.

LOC	DIST	REVISIONS					
		P	LTR	DESCRIPTION	DATE	DWN	APVD
DW	/	-	-	SEE SHEET 1	-	-	-



THIS DRAWING IS A CONTROLLED DOCUMENT.		DWN	-	<b>STE</b> TE Connectivity	
DIMENSIONS: mm		CHK	-		
TOLERANCES UNLESS OTHERWISE SPECIFIED:		APVD	-	NAME	
0 PLC	± -	PRODUCT SPEC	-	RECEPTACLE ASSEMBLY, R/A, BTB, CHAMP.050, SERIES I	
1 PLC	± -	APPLICATION SPEC	-	SIZE	CAGE CODE
2 PLC	± -	WEIGHT	-	A3	00779
3 PLC	± -	CUSTOMER DRAWING	-	DRAWING NO	C-1734037
4 PLC	± -	SCALE	-	RESTRICTED TO	-
ANGLES	± -	SHEET	2 OF 4	REV	G1
FINISH	± -	APVD	-		

THIS DRAWING IS UNPUBLISHED.

RELEASED FOR PUBLICATION

---

LOC

DIST

REVISIONS

© COPYRIGHT - By -

ALL RIGHTS RESERVED.

DW

P

LTR

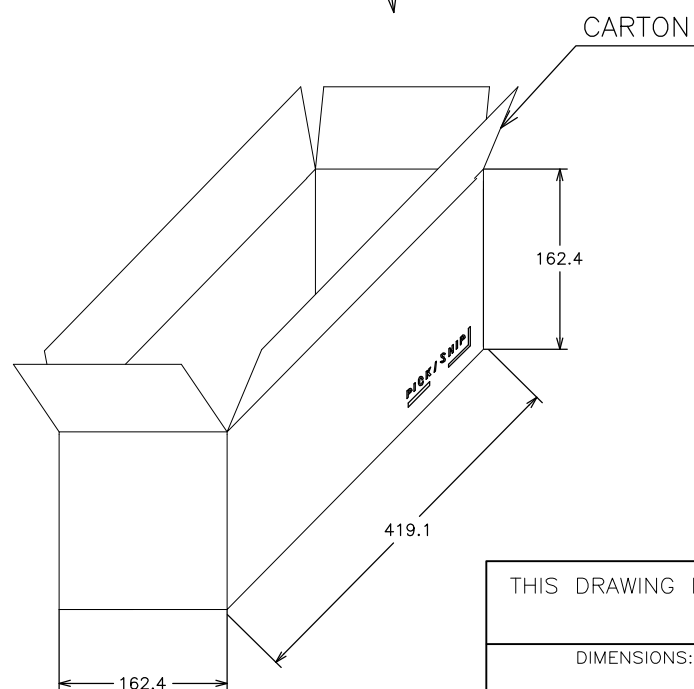
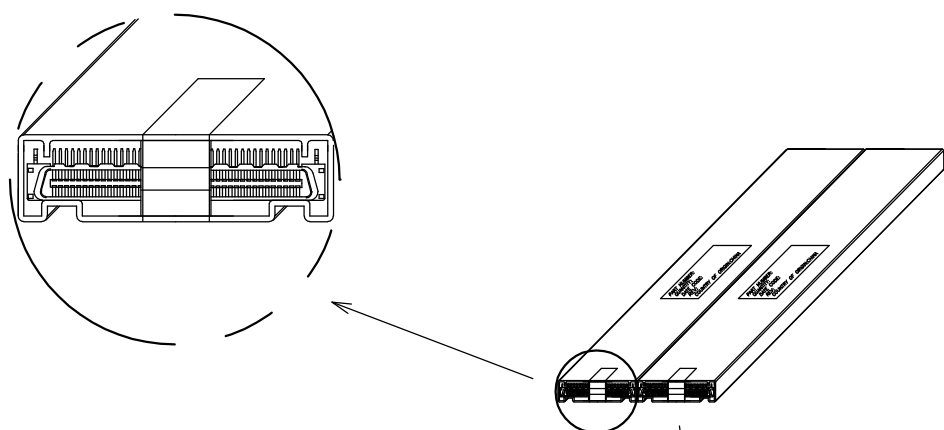
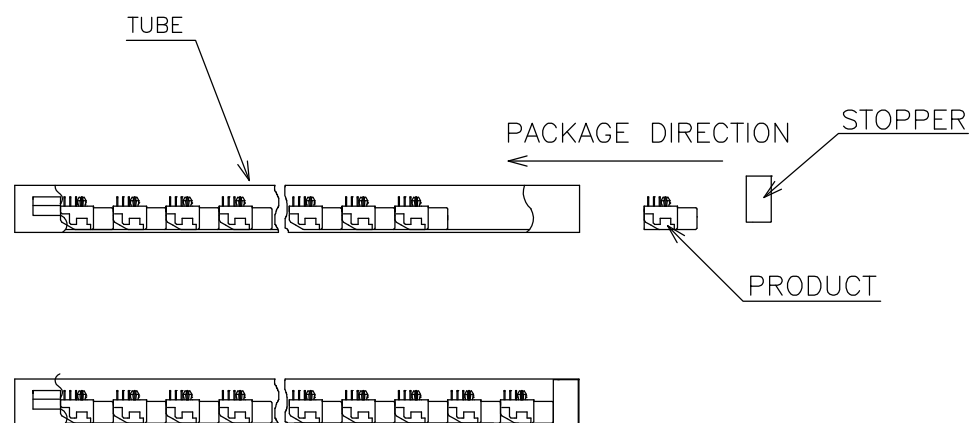
DESCRIPTION

DATE

DWN

APVD

SEE SHEET 1



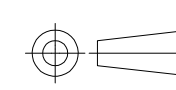
Ⓞ OBSOLETE

POS.	Q'TY/ TUBE	TUBE/ BOX	Q'TY/ BOX	N/W (KG)	G/W (KG)	PART NUMBER
						6-1734037-2
						4-1734037-2
						2-1734037-2
						1734037-2
						5-1734037-0
						3-1734037-0
						1-1734037-0
						4-1734037-1
						2-1734037-1
						1734037-1

THIS DRAWING IS A CONTROLLED DOCUMENT.

DIMENSIONS: mm

TOLERANCES UNLESS OTHERWISE SPECIFIED:



- 0 PLC ± -
- 1 PLC ± -
- 2 PLC ± -
- 3 PLC ± -
- 4 PLC ± -
- ANGLES ± -
- FINISH ± -

MATERIAL

DWN

CHK

APVD

PRODUCT SPEC

APPLICATION SPEC

WEIGHT

CUSTOMER DRAWING



RECEPTACLE ASSEMBLY, R/A, BTB, CHAMP.050, SERIES I

SIZE	CAGE CODE	DRAWING NO	RESTRICTED TO
A3	00779	C-1734037	

SCALE - SHEET 3 OF 4 REV G1

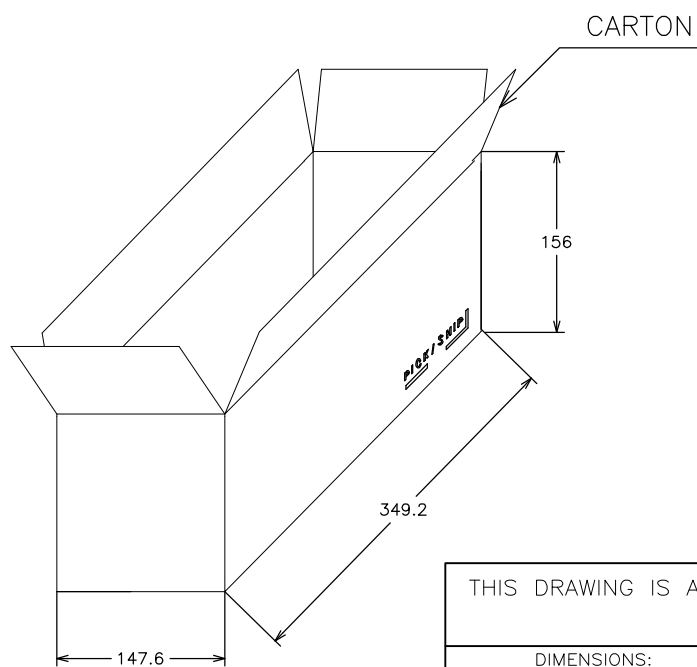
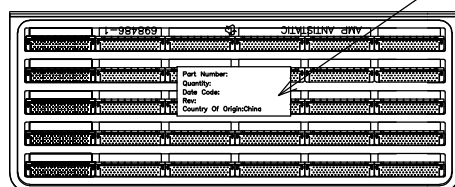
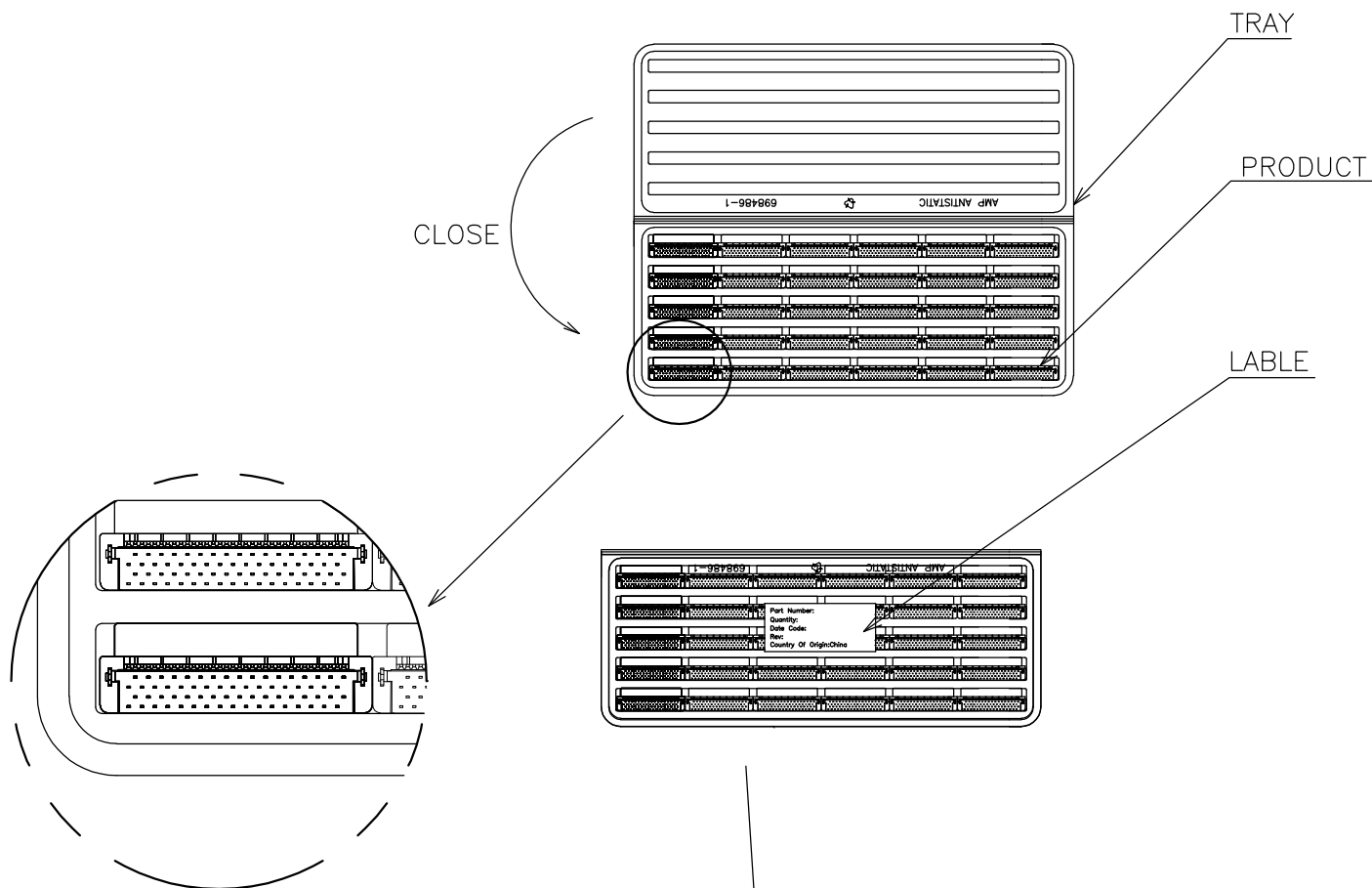
THIS DRAWING IS UNPUBLISHED. RELEASED FOR PUBLICATION

© COPYRIGHT - By - ALL RIGHTS RESERVED.

LOC DW DIST

REVISIONS

P	LTR	DESCRIPTION	DATE	DWN	APVD
-	-	SEE SHEET 1	-	-	-



POS.	Q'TY/ TRAY	TRAY/ BOX	Q'TY/ BOX	N/W (KG)	G/W (KG)	PART NUMBER	
ⓐ	160	10	100	1.33	2.28	5-1734037-6 3-1734037-6 1-1734037-6	
	OBSOLETE	140	15	10	1.67	2.62	5-1734037-4 3-1734037-4 1-1734037-4
							2-1734037-0 1-1734037-8 1-1734037-2
ⓑ	120	15	10	1.35	2.30	5-1734037-1 3-1734037-1 1-1734037-1	
	OBSOLETE	100	20	10	1.43	2.43	4-1734037-7 2-1734037-7 1734037-7
							4-1734037-6 2-1734037-6 1734037-6
50	35	10	350	1.55	2.50	4-1734037-5 2-1734037-5 1734037-5	
40	45	10	450	1.55	2.45	4-1734037-4 2-1734037-4 1734037-4	

THIS DRAWING IS A CONTROLLED DOCUMENT.

DIMENSIONS: mm	TOLERANCES UNLESS OTHERWISE SPECIFIED:
	0 PLC ± - 1 PLC ± - 2 PLC ± - 3 PLC ± - 4 PLC ± - ANGLES ± -
MATERIAL	FINISH

STE TE Connectivity

RECEPTACLE ASSEMBLY, R/A, BTB, CHAMP.050, SERIES I

APVD: \_\_\_\_\_  
PRODUCT SPEC: \_\_\_\_\_  
APPLICATION SPEC: \_\_\_\_\_  
WEIGHT: \_\_\_\_\_

SIZE: A3 CAGE CODE: 00779 DRAWING NO: C-1734037 RESTRICTED TO: \_\_\_\_\_

CUSTOMER DRAWING SCALE: \_\_\_\_\_ SHEET: 4 OF 4 REV: G1