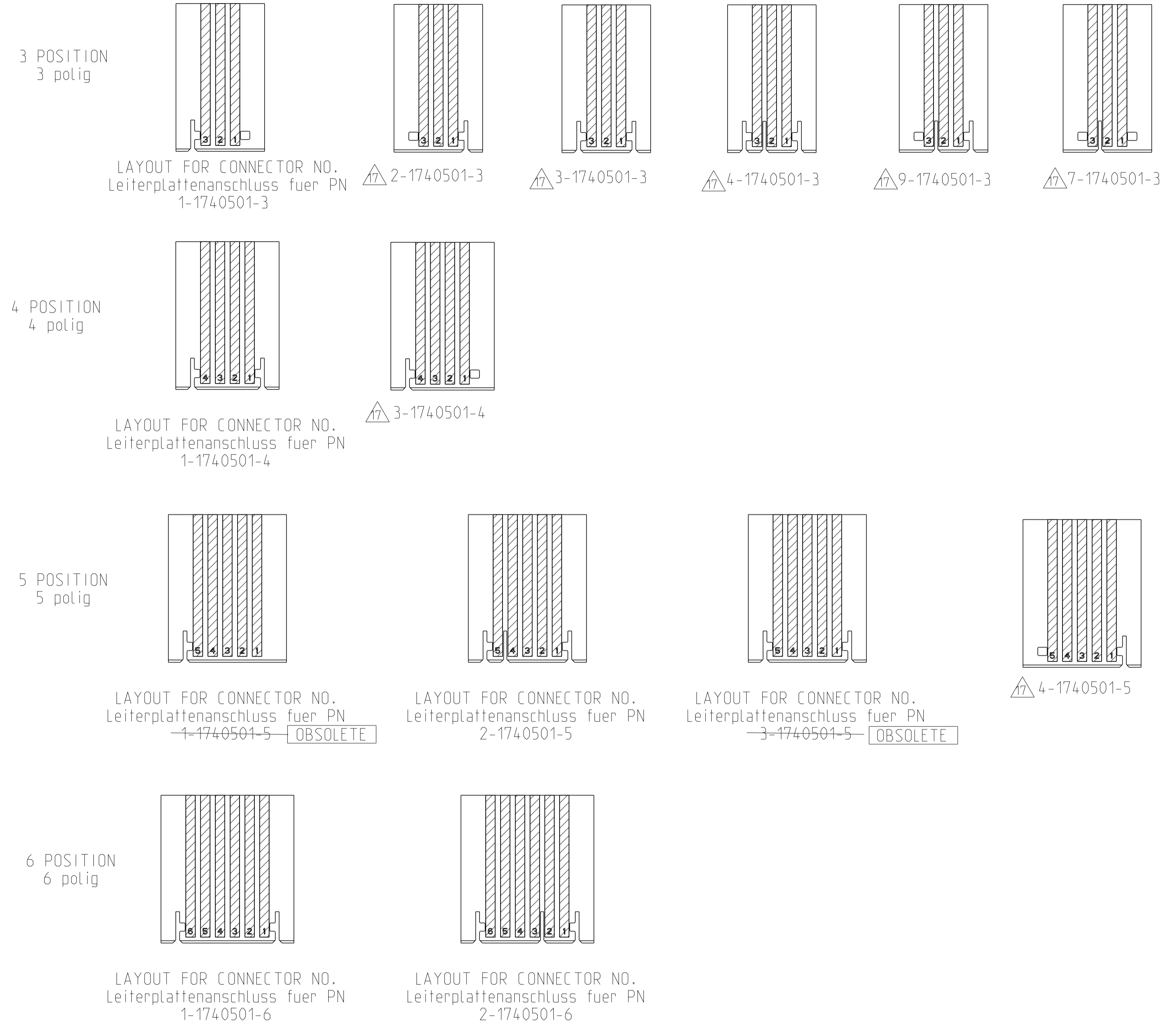
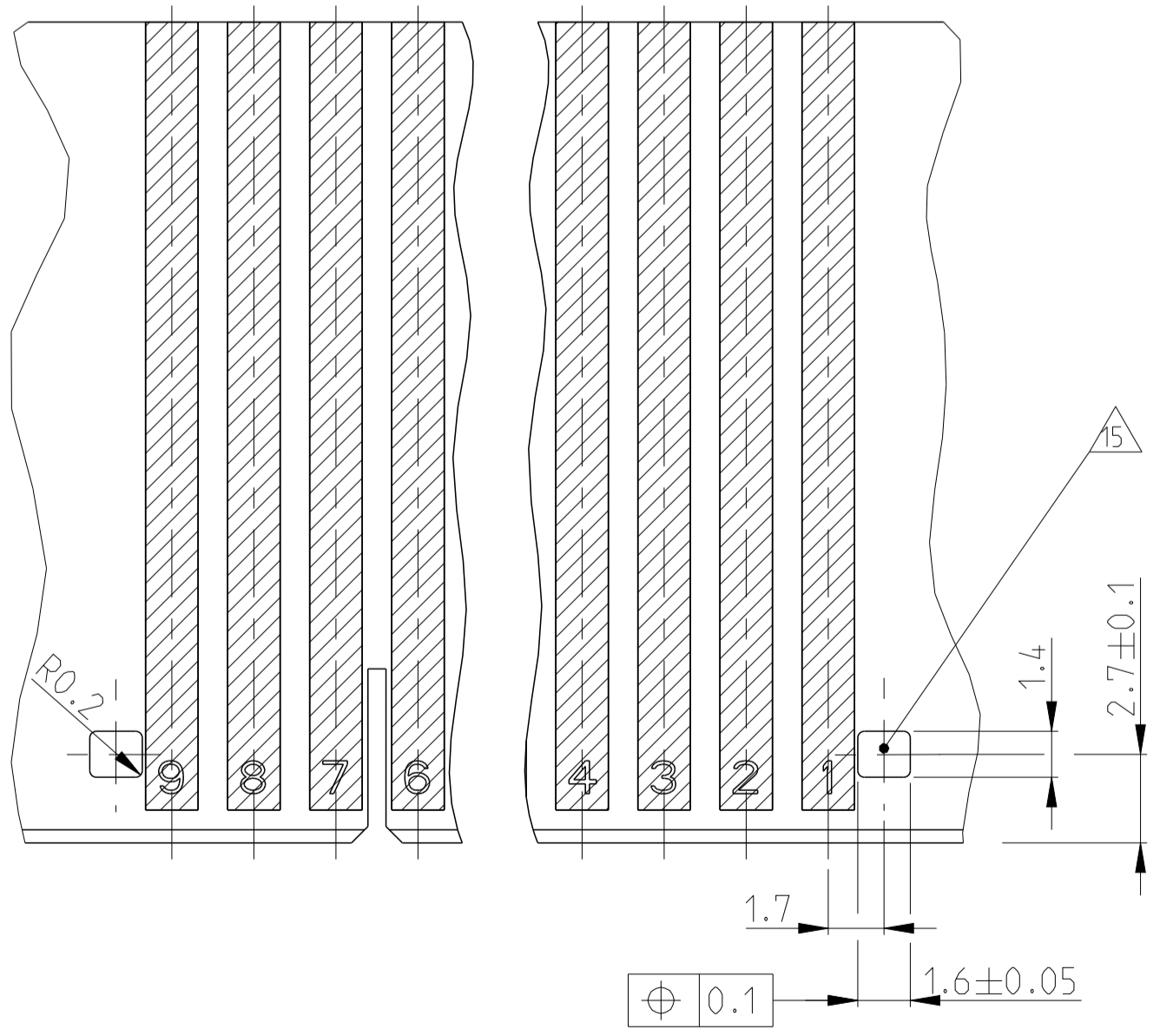
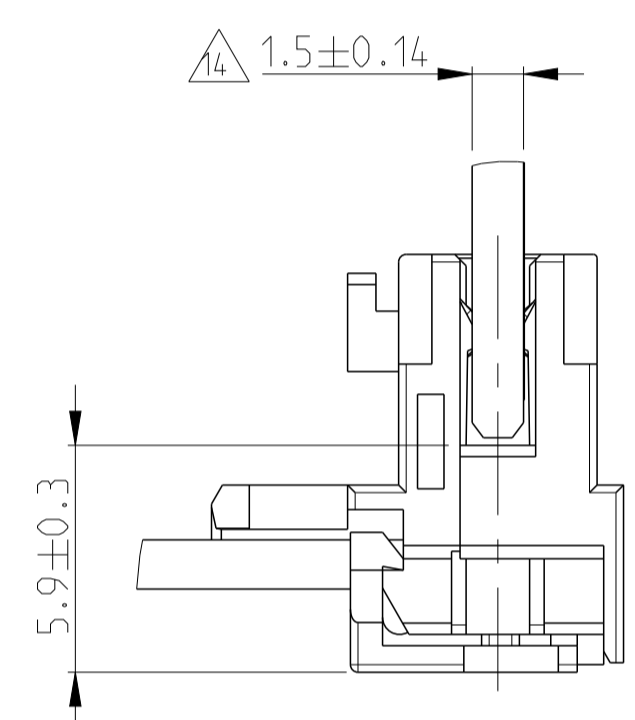
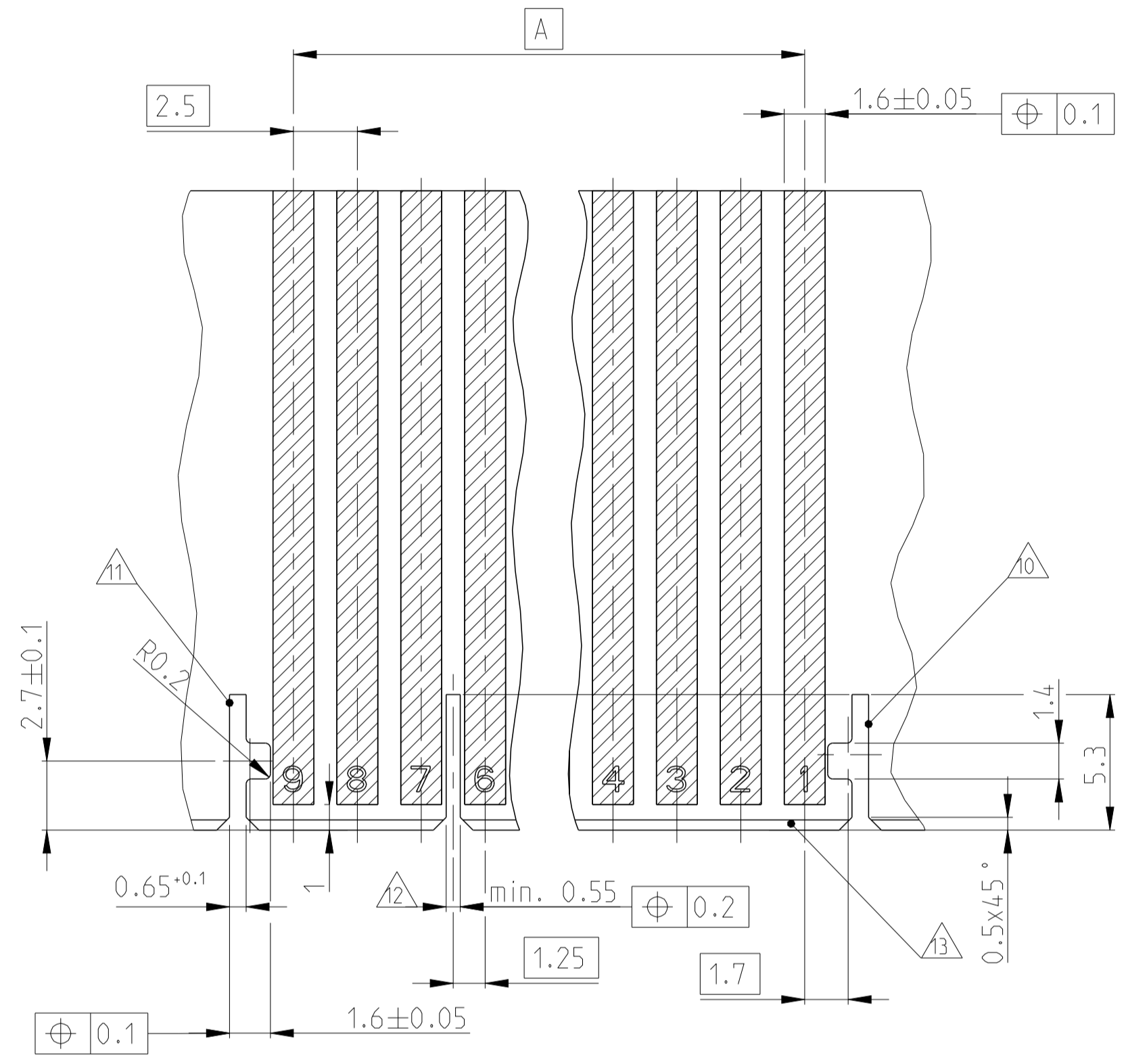




**PCB LAYOUT IN GENERAL**  
**Leiterplattenanschluss allgemein**

**3-20 POSITION**  
**3-20 polig**



- △11 WINDOW FOR LOCKING HOOK  
Fenster fuer Rasthaken
- △14 INCLUSIVE COPPER CLADDING, SINGLE OR DOUBLE SIDED  
Inklusive Kupferkaschierung, ein oder doppelseitig
- △13 PCB TO BE PREFERABLY CHAMFERED  
Leiterplatte vorzugsweise angefast
- △12 SLOT FOR ADDITIONAL KEYING RIB BETWEEN CAVITY NO.  
Schlitz fuer zusaetzliche Kodierrippe zwischen Kammer Nr.
- △11 SLOT FOR SIDE KEYING, ON LAST CAVITY  
Schlitz fuer Seitenkodierung, bei letzter Kammer
- △10 SLOT FOR SIDE KEYING, ON CAVITY NO. 1  
Schlitz fuer Seitenkodierung, bei Kammer Nr. 1
- △1 - △9 SEE SHEET 1  
Siehe Blatt 1

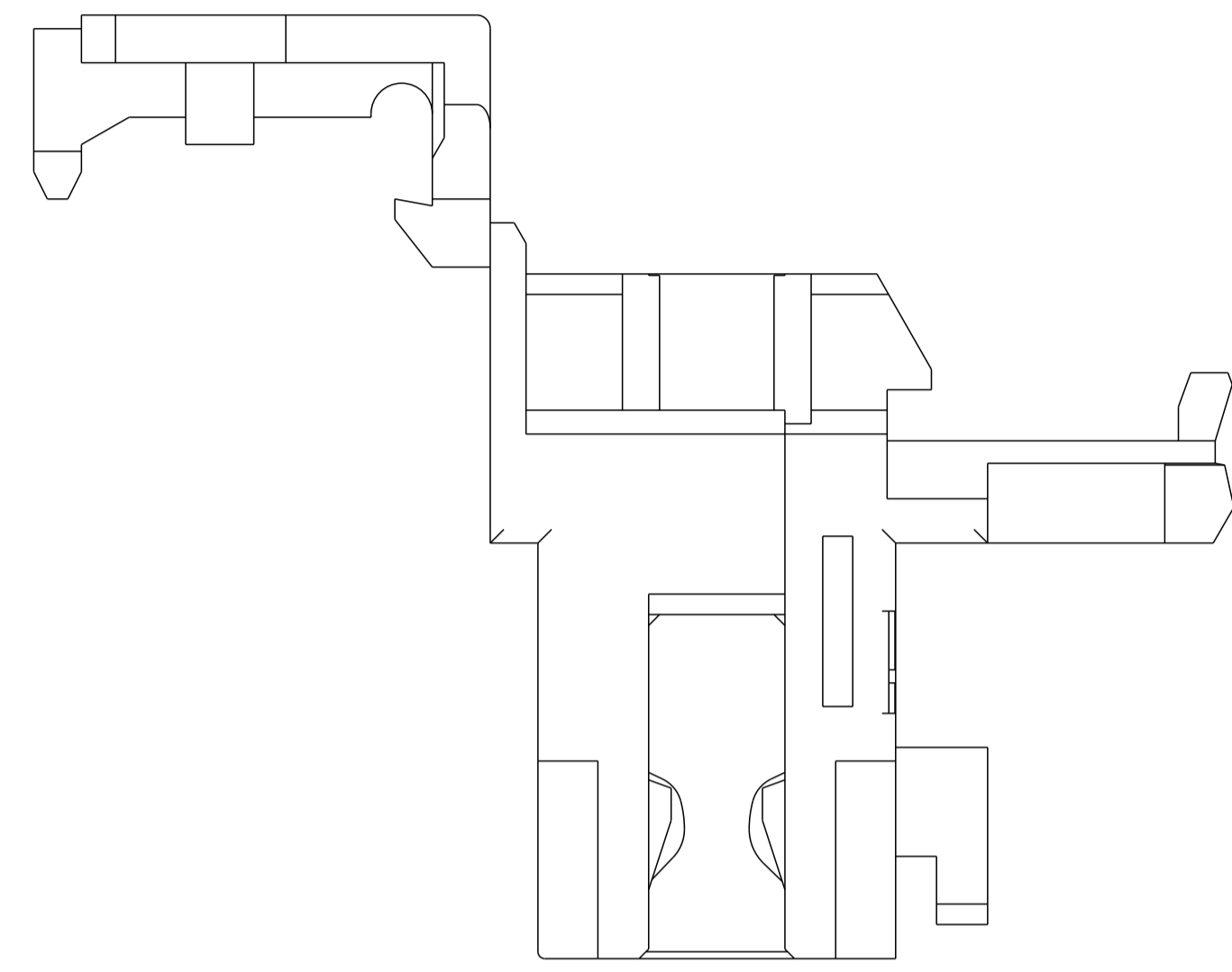
LOC	DIST	REVISIONS			
P	LTN	DESCRIPTION	DATE	DMN	APVD
-	-	SEE SHEET 1	-	-	-

THIS DRAWING IS A CONTROLLED DOCUMENT.		DMN H. Alzmann 27.10.2005	TE Connectivity
DIMENSIONS: mm		CHK B. Schnaubelt 27.10.2005	
TOLERANCES UNLESS OTHERWISE SPECIFIED:		APVD T. Klenner 27.10.2005	NAME AMP DUOPLUG 2.5 MKII FEMALE CONNECTOR 3-20 POSITION (WITH PCB LOCKING) SIZE CAGE CODE DRAWING NO. RESTRICTED TO A1 00779 C=1740501
0 PLC ±0.2		PRODUCT SPEC	
1 PLC ±0.2		108-18785	
2 PLC ±0.2		APPLICATION SPEC	
3 PLC ±		114-18467	SCALE 7:1 SHEET 2 OF 3
4 PLC ±		WEIGHT	
ANGLES ±°		CUSTOMER DRAWING	REV B16
FINISH			

THIS DRAWING IS UNPUBLISHED. RELEASED FOR PUBLICATION 2005  
 © COPYRIGHT 2005 ALL RIGHTS RESERVED.

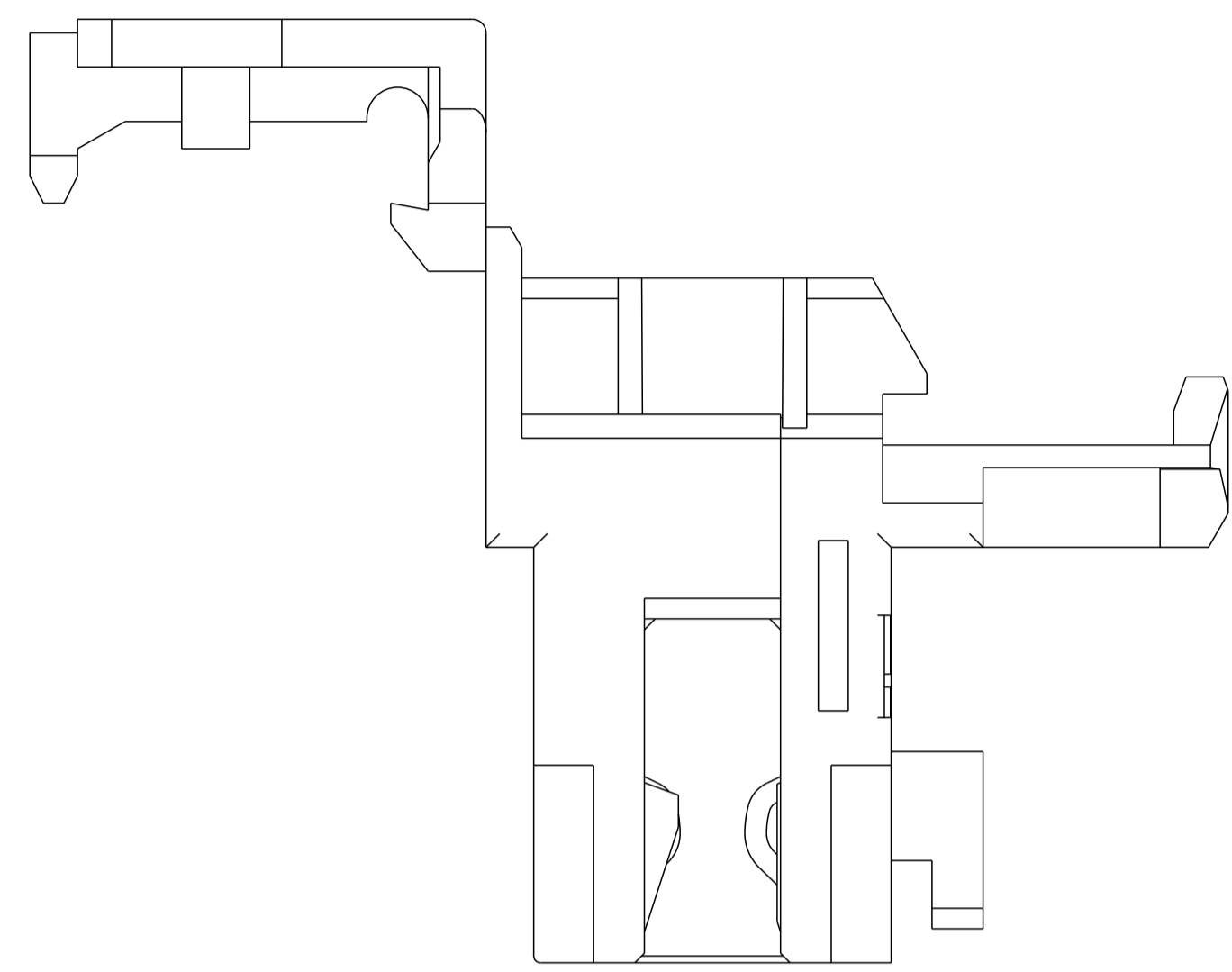
LOC		DIST		REVISIONS			
P	LTN	DESCRIPTION		DATE	DMN	APVD	
-		SEE SHEET 1		-	-	-	

18 SPECIAL PCB LOCKING VERSION



10:1

19 SPECIAL PCB LOCKING VERSION



10:1

THIS DRAWING IS A CONTROLLED DOCUMENT.		DMN H. Alzmann 27.10.2005	
		CHK B. Schnaubelt 27.10.2005	
DIMENSIONS:		APVD T. Klenner 27.10.2005	<b>NAME</b> AMP DUOPLUG 2.5 MKII FEMALE CONNECTOR 3-20 POSITION (WITH PCB LOCKING)
mm 		TOLERANCES UNLESS OTHERWISE SPECIFIED: 0 PLC ±0.2 1 PLC ±0.2 2 PLC ±0.2 3 PLC ± 4 PLC ± ANGLES ±° FINISH ±	
MATERIAL SEE TABLE		WEIGHT -	<b>SIZE</b> A1 <b>CAGE CODE</b> 00779 <b>DRAWING NO</b> C=1740501
-		CUSTOMER DRAWING	<b>RESTRICTED TO</b> - <b>SCALE</b> 5:1 <b>SHEET</b> 3 OF 3 <b>REV</b> B16