

4

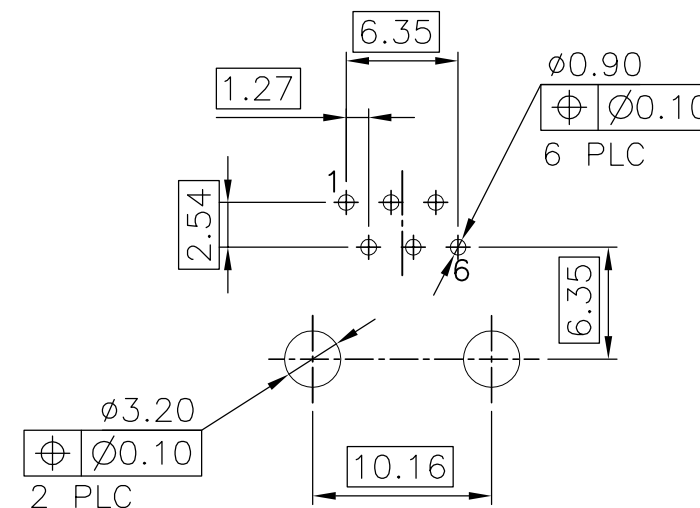
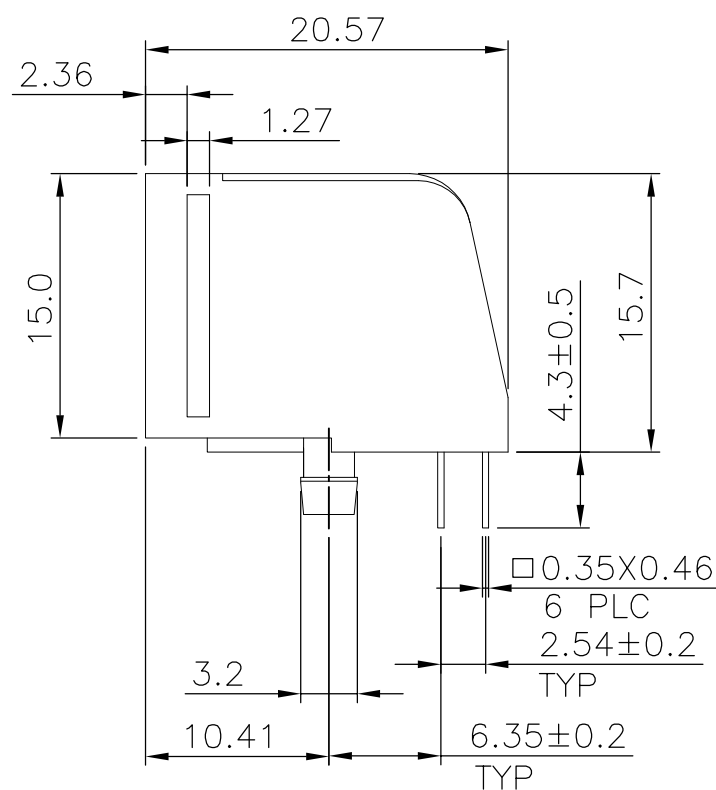
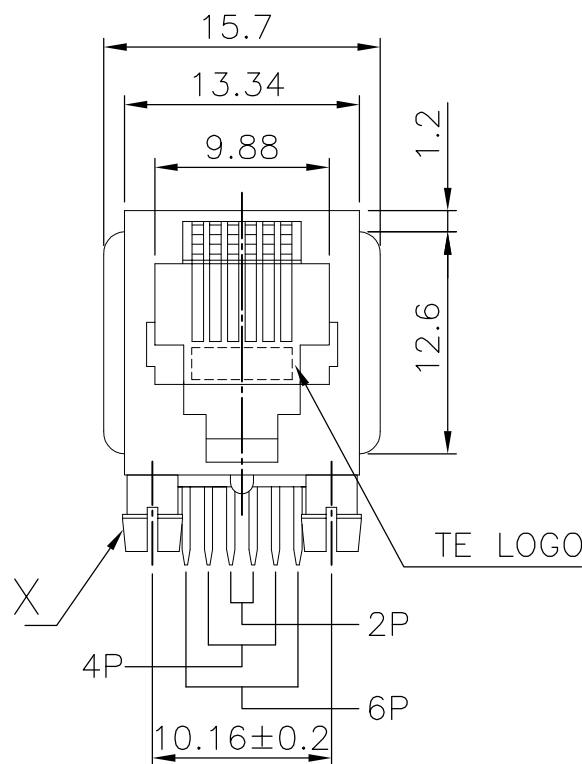
3

2

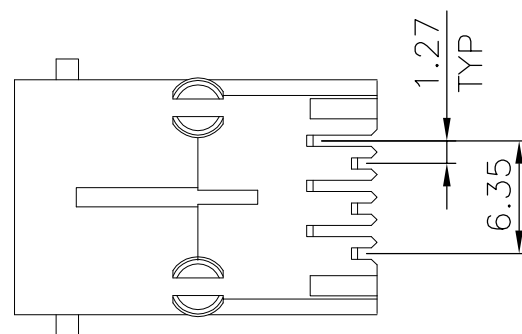
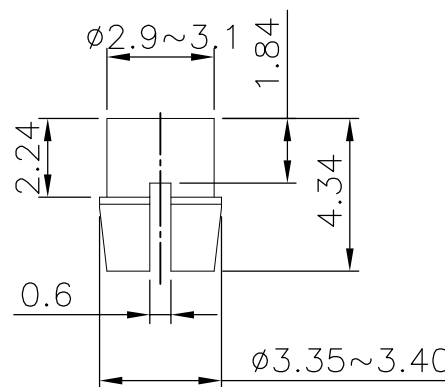
1

THIS DRAWING IS UNPUBLISHED. RELEASED FOR PUBLICATION
 © COPYRIGHT BY TYCO ELECTRONICS CORPORATION. ALL RIGHTS RESERVED.

LOC	DIST	REVISIONS			
P	LTR	DESCRIPTION	DATE	DWN	APVD
DW	-	ECO-14-012616	30DEC2014	LL	SH



RECOMMENDED PCB LAYOUT (THICKNESS: 1.6mm)
 DIMENSION TOLERANCE: ±0.05



STATUS	PIN POS.	MIN. GOLD THICKNESS	PART NUMBER
OBSOLETE	6P	1.37µm [50µ"]	2-1775675-4
		0.762µm [30µ"]	2-1775675-3
		0.381µm [15µ"]	2-1775675-2
OBSOLETE	4P	0.152µm [6µ"]	2-1775675-1
		1.37µm [50µ"]	1-1775675-4
		0.762µm [30µ"]	1-1775675-3
OBSOLETE	2P	0.381µm [15µ"]	1-1775675-2
		0.152µm [6µ"]	1-1775675-1
		1.37µm [50µ"]	1775675-4

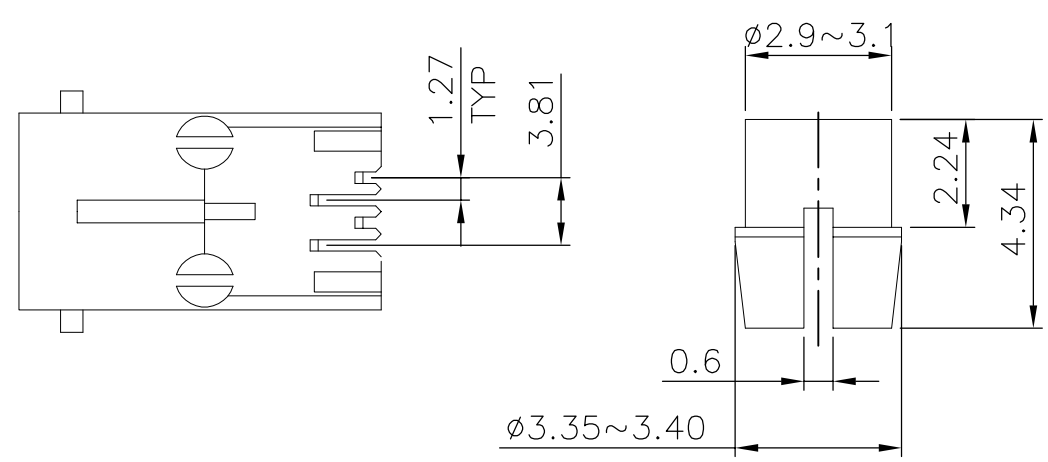
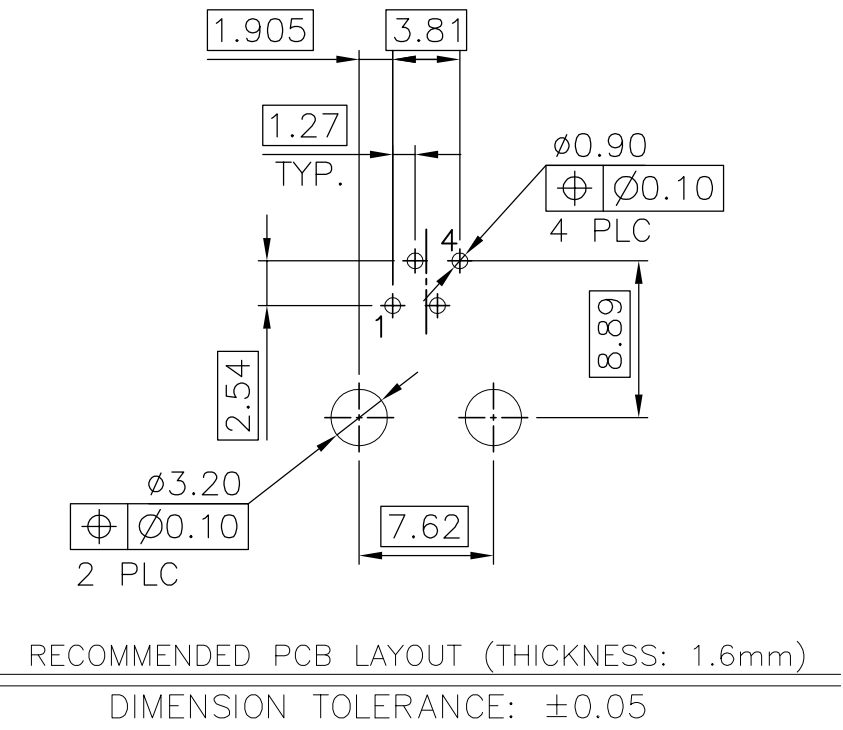
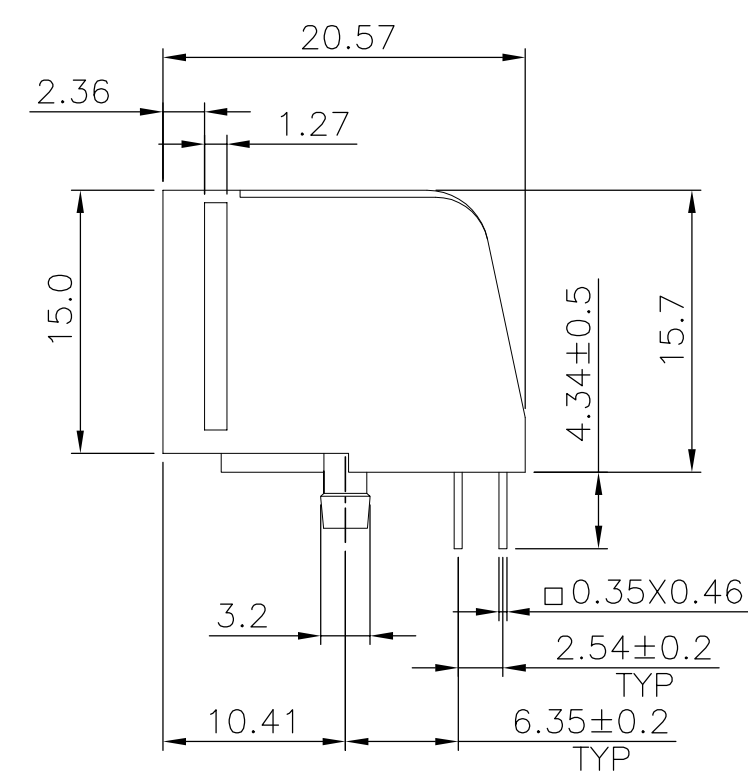
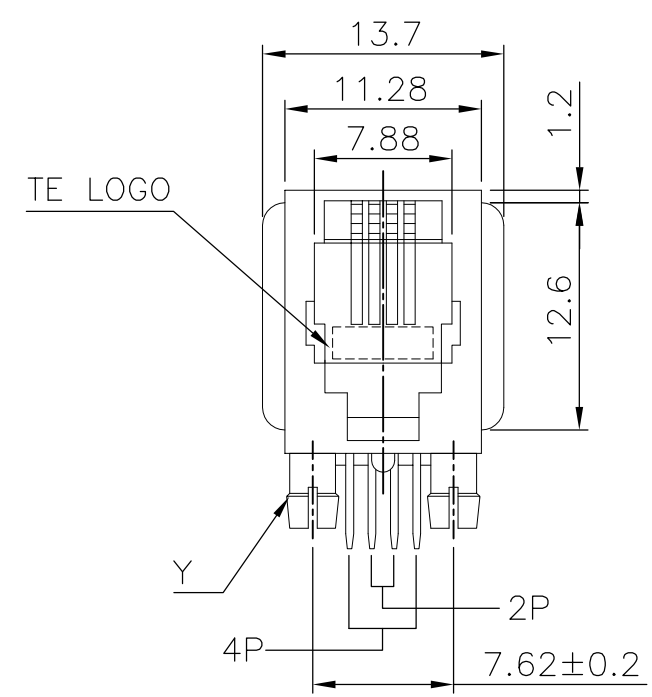
NOTE:

- MATERIAL:
HOUSING: PBT WITH 30% GF, UL94 V-0, BLACK COLOR.
CONTACTS: PHOSPHOR BRONZE.
- FINISH:
CONTACTS: (SEE TABLE) GOLD PLATED ON CONTACT AREA, GOLD FLASH ON SOLDER TAIL, WITH ENTIRE CONTACT UNDERPLATED 1.27µm [50µ"] MIN. NICKEL.
- WAVE SOLDER CAPABLE TO 240°C PER TE TEST SPEC. 109-202, CONDITION A.

THIS DRAWING IS A CONTROLLED DOCUMENT.		DWN O. HU 26OCT12	TE Connectivity	
DIMENSIONS: MM		CHK S. HOU 26OCT12		
TOLERANCES UNLESS OTHERWISE SPECIFIED:		APVD W. KODAMA 26OCT12	NAME	
0 PLC ± 0.50 1 PLC ± 0.30 2 PLC ± 0.20 3 PLC ± 0.10 4 PLC ± - ANGLES ± -		PRODUCT SPEC 108-57527	MODULAR JACK, SIDE ENTRY, LOW PROFILE, DIP	
MATERIAL SEE NOTE		FINISH SEE NOTE	APPLICATION SPEC -	RESTRICTED TO -
		WEIGHT 3.5 GRAMS	SIZE A3	CAGE CODE -
		CUSTOMER DRAWING	DRAWING NO C-1775675	REVISION C
			SCALE -	SHEET 1 OF 3

THIS DRAWING IS UNPUBLISHED. RELEASED FOR PUBLICATION
 © COPYRIGHT BY TYCO ELECTRONICS CORPORATION. ALL RIGHTS RESERVED.

LOC	DIST	REVISIONS			
P	LTR	DESCRIPTION	DATE	DWN	APVD
DW	-	SEE SHEET 1.			



DETAIL Y

- NOTE:
- MATERIAL:
HOUSING: PBT WITH 30% GF, UL94 V-0, BLACK COLOR.
CONTACTS: PHOSPHOR BRONZE.
 - FINISH:
CONTACTS: (SEE TABLE) GOLD PLATED ON CONTACT AREA, GOLD FLASH ON SOLDER TAIL, WITH ENTIRE CONTACT UNDERPLATED 1.27µm [50µ"] MIN. NICKEL.
 - WAVE SOLDER CAPABLE TO 240°C PER TE TEST SPEC. 109-202, CONDITION A.

OBSOLETE	PIN POS.	MIN. GOLD THICKNESS	PART NUMBER
		0.762µm [30µ"]	4-1775675-3
		0.381µm [15µ"]	4-1775675-2
		0.152µm [6µ"]	4-1775675-1
	2P	1.37µm [50µ"]	3-1775675-4
		0.762µm [30µ"]	3-1775675-3
		0.381µm [15µ"]	3-1775675-2
		0.152µm [6µ"]	3-1775675-1

THIS DRAWING IS A CONTROLLED DOCUMENT.		DWN O. HU 26OCT12	STE TE Connectivity	
DIMENSIONS: MM		CHK S. HOU 26OCT12		
TOLERANCES UNLESS OTHERWISE SPECIFIED:		APVD W. KODAMA 26OCT12	NAME	
0 PLC ± 0.50		PRODUCT SPEC	MODULAR JACK, SIDE ENTRY, LOW PROFILE, DIP	
1 PLC ± 0.30		108-57527		
2 PLC ± 0.20		APPLICATION SPEC		
3 PLC ± 0.10			SIZE A3	CAGE CODE -
4 PLC ± -			DRAWING NO C-1775675	RESTRICTED TO -
ANGLES ± -		WEIGHT 3.0 GRAMS		
MATERIAL SEE NOTE		CUSTOMER DRAWING	SCALE -	SHEET 2 OF 3
FINISH SEE NOTE			REV C	

4

3

2

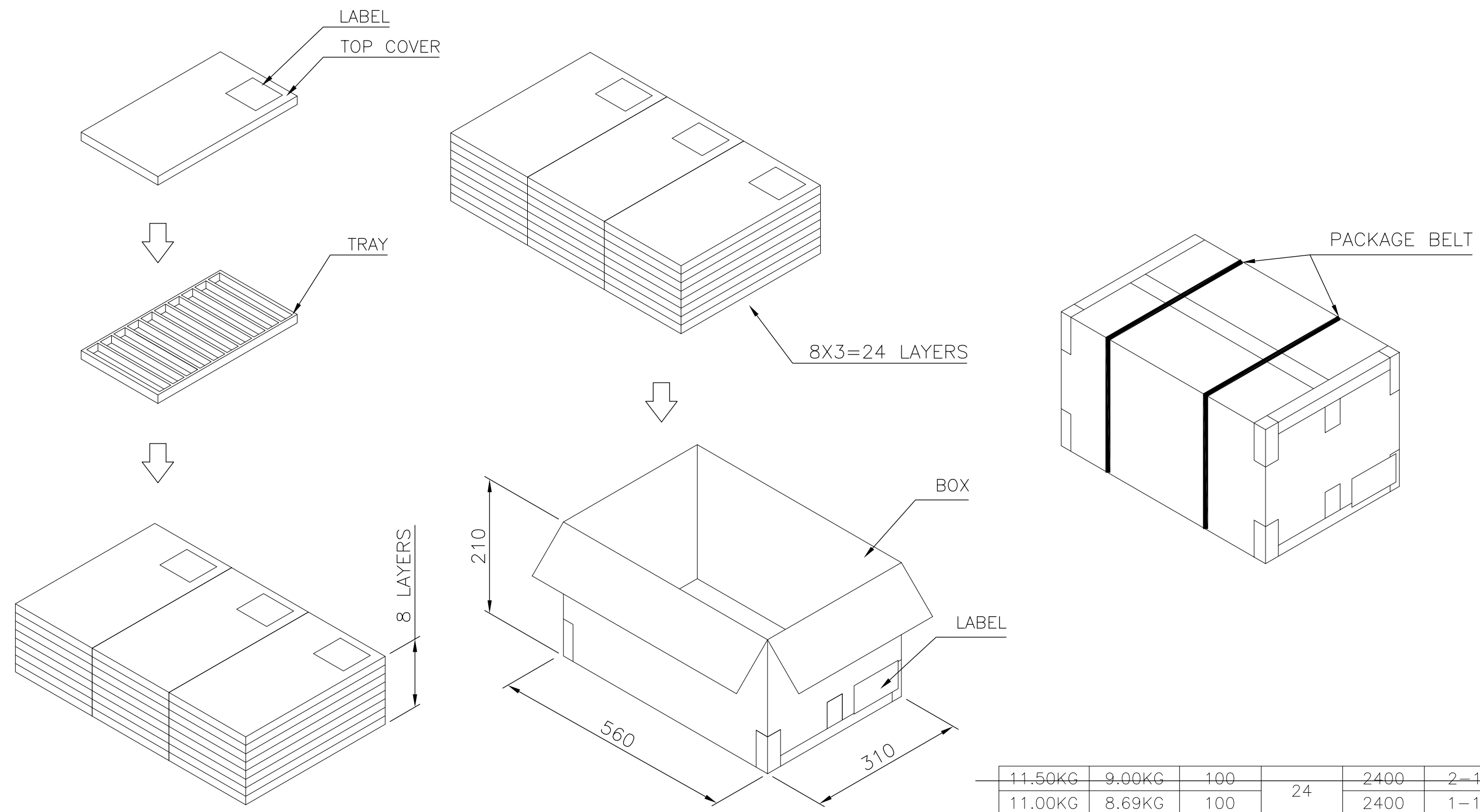
1

THIS DRAWING IS UNPUBLISHED. RELEASED FOR PUBLICATION
 © COPYRIGHT BY TYCO ELECTRONICS CORPORATION. ALL RIGHTS RESERVED.


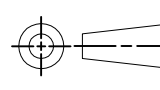
LOC	DIST	REVISIONS					
DW	-	P	LTR	DESCRIPTION	DATE	DWN	APVD
				SEE SHEET 1.			

D
C
B
A

D
C
B
A



11.50KG	9.00KG	100	24	2400	2-1775675-1
11.00KG	8.69KG	100		2400	1-1775675-1
GROSS WEIGHT	NET WEIGHT	PCS/ TRAY	TRAYS/ BOX	PCS/ BOX	PART NUMBER

THIS DRAWING IS A CONTROLLED DOCUMENT.		DWN	O. HU	26OCT12	 TE Connectivity
DIMENSIONS: MM		CHK	S. HOU	26OCT12	
		APVD	W. KODAMA	26OCT12	
TOLERANCES UNLESS OTHERWISE SPECIFIED:		NAME			
0 PLC ± - 1 PLC ± - 2 PLC ± - 3 PLC ± - 4 PLC ± - ANGLES ± -		PRODUCT SPEC			MODULAR JACK, SIDE ENTRY, LOW PROFILE, DIP
MATERIAL		APPLICATION SPEC			
FINISH		WEIGHT			RESTRICTED TO
		CUSTOMER DRAWING			SIZE: A3 CAGE CODE: 00779 DRAWING NO: C-1775675
		SCALE: -			SHEET: 3 OF 3 REV: C