

THIS DRAWING IS UNPUBLISHED.

RELEASED FOR PUBLICATION

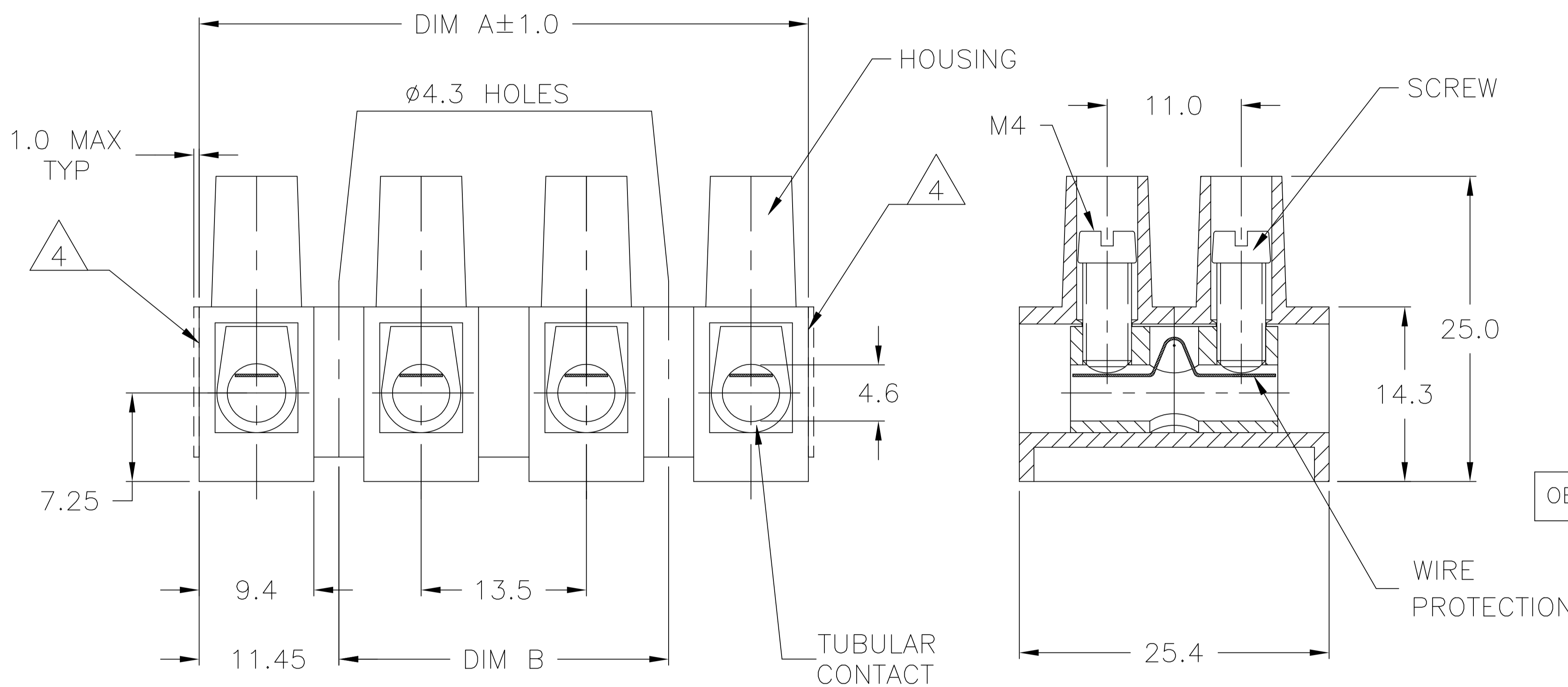
© COPYRIGHT - TE Connectivity Ltd.

ALL RIGHTS RESERVED.

REVISIONS

P	LTR	DESCRIPTION	DATE	DWN	APVD
P		CUTTING BURR DETAILS ADDED	19NOV2018	RK	PS

- MATERIAL:
HOUSING: POLYAMIDE 6 UL94V-2.
COLOR: NATURAL (OFF WHITE).
TUBULAR CONTACT: BRASS, TIN PLATED.
SCREW: M4, STEEL, ZINC PLATED W/ NON-
HEXAVALENT CHROMATE (CHROME III).
WIRE PROTECTOR: STAINLESS STEEL.
- CURRENT RATING: 40A, 300V (UL).
55A, 300V (CSA).
WIRE RANGE: 8-18 AWG.
- CONTINUOUS WORKING TEMPERATURE 100°C MAX.
- CUTTING PROJECTION CAN BE ON BOTH SIDES
DEPENDING ON CUTTING LOCATION
- CUTTING BURR MAX. 1mm ALLOWED.



135.0	157.9	12	TSB150012DS	1-1776311-2
121.5	144.4	11	TSB150011DS	1-1776311-1
108.0	130.9	10	TSB150010DS	1-1776311-0
94.5	117.9	9	TSB150009DS	1776311-9
81.0	103.9	8	TSB150008DS	1776311-8
OBSOLETE	67.5	7	TSB150007DS	1776311-7
	54.0	6	TSB150006DS	1776311-6
	40.5	5	TSB150005DS	1776311-5
	27.0	4	TSB150004DS	1776311-4
	13.5	3	TSB150003DS	1776311-3
	-	2	TSB150002DS	1776311-2
	-	1	TSB150001DS	1776311-1
DIM B	DIM A	POSN	CATALOG NUMBER	TE PART NUMBER

1776311-4 AS SHOWN

THIS DRAWING IS A CONTROLLED DOCUMENT.

DWN	S SCHLEGEL	3/21/05
CHK	C RICHARD	3/21/05
APVD	C RICHARD	3/21/05
PRODUCT SPEC		
APPLICATION SPEC		
WEIGHT		

STE TE Connectivity Ltd.

DIMENSIONS:	TOLERANCES UNLESS OTHERWISE SPECIFIED:
mm	
	± -
	± 0.3
	± 0.25
	± -
	± -
	± 2'

NAME 13.5MM PITCH W/ WIRE PROTECTOR EUROPA TERMINAL BLOCK

MATERIAL SEE NOTES FINISH SEE NOTES

SIZE	CAGE CODE	DRAWING NO	RESTRICTED TO
A3	00779	C=1776311	-

CUSTOMER DRAWING SCALE NTS SHEET 1 OF 1 REV P