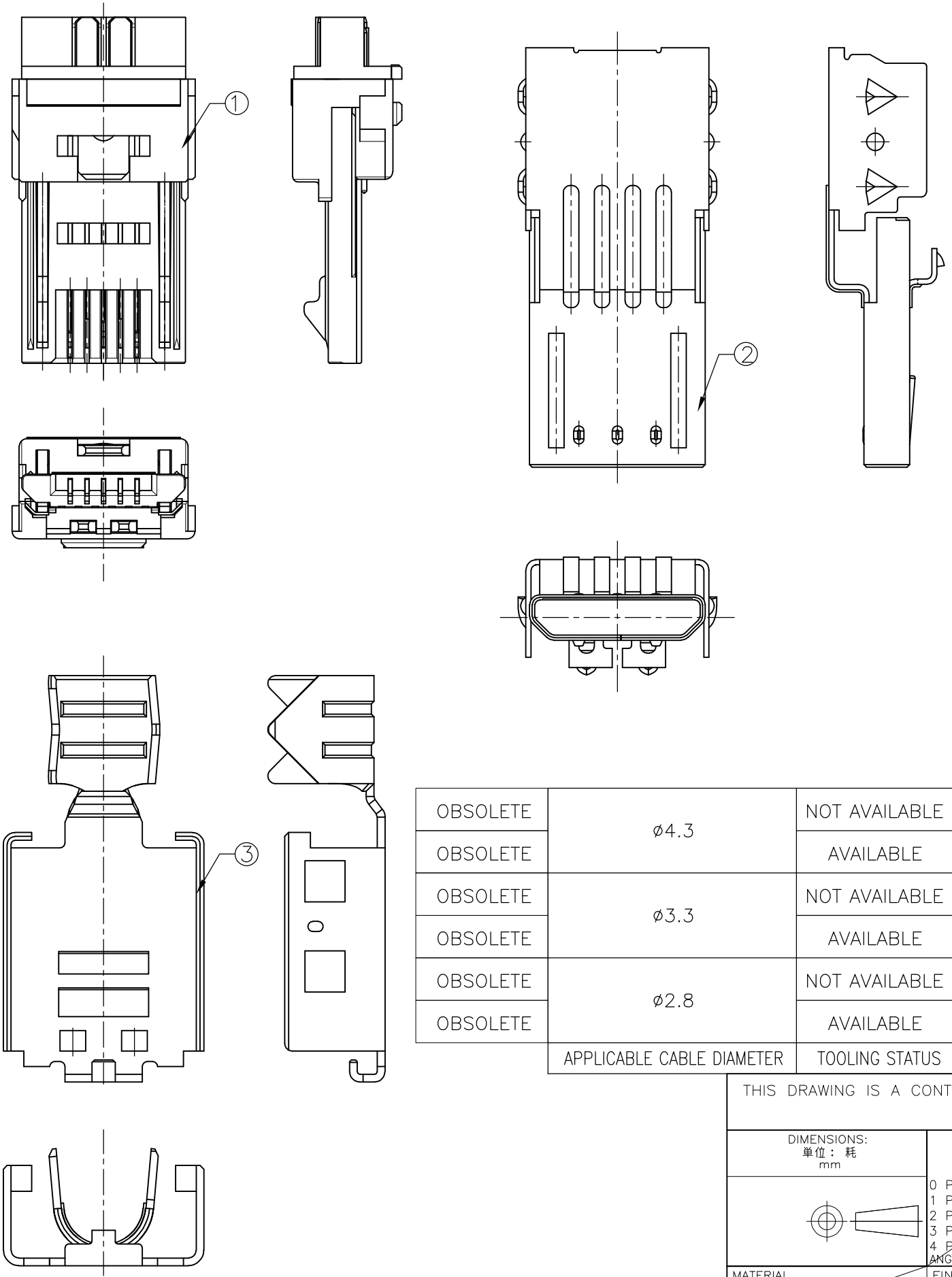


THIS DRAWING IS UNPUBLISHED. RELEASED FOR PUBLICATION .2007.
 © COPYRIGHT 2007 By - ALL RIGHTS RESERVED.

LOC	DIST	REVISIONS					
		P	LTR	DESCRIPTION	DATE	DWN	APVD
J	/		H	REVISED PER ECR-13-016179	11NOV2013	B.L	J.L



1. ITEM 2 AND 3 ARE NOT ASSEMBLED.
 2. PACKAGING QUANTITY : 550 KIT

APPLICABLE CABLE DIAMETER	TOOLING STATUS	CONTACT FINISH	PART NO. FOR KIT	DESCRIPTION	PART NO.	ITEM
ø4.3	NOT AVAILABLE	SELECTIVE Au PLATED OVER Ni-Pd PLATED OVER Ni PLATED	1-1939054-3	LOWER SHELL	1-1939061-6	⑥
	AVAILABLE	SELECTIVE Au PLATED OVER Ni PLATED	1-1939054-3	UPPER SHELL	1-1939060-2	②
ø3.3	NOT AVAILABLE	SELECTIVE Au PLATED OVER Ni-Pd PLATED OVER Ni PLATED	1-1939054-2	SUB ASSY	1-1939080-2	①
	AVAILABLE	SELECTIVE Au PLATED OVER Ni PLATED	1-1939054-2	LOWER SHELL	1-1939061-6	③
ø2.8	NOT AVAILABLE	SELECTIVE Au PLATED OVER Ni-Pd PLATED OVER Ni PLATED	1-1939054-1	UPPER SHELL	1-1939060-2	②
	AVAILABLE	SELECTIVE Au PLATED OVER Ni PLATED	1-1939054-1	SUB ASSY	1-1939080-1	①

THIS DRAWING IS A CONTROLLED DOCUMENT.

DWN	J.TSUJI	28MAY2007	 TE Connectivity	NAME T.KUSUHARA PRODUCT SPEC 製品規格 APPLICATION SPEC 取付適用規格
CHK	T.KUSUHARA	28MAY2007		
APVD	T.KUSUHARA	28MAY2007		
DIMENSIONS: 単位: 耗 mm			MICRO USB I/O PLUG TYPE B KIT	
TOLERANCES UNLESS OTHERWISE SPECIFIED: 一般公差 0 PLC ±- 1 PLC ±- 2 PLC ±- 3 PLC ±- 4 PLC ±- ANGLES ±-			SIZE	A3
MATERIAL 材料			CAGE CODE	00779
FINISH 仕上			DRAWING NO	G-1939054
WEIGHT			RESTRICTED TO	-
CUSTOMER DRAWING			SCALE	5:1
			SHEET	1 OF 3
			REV	H

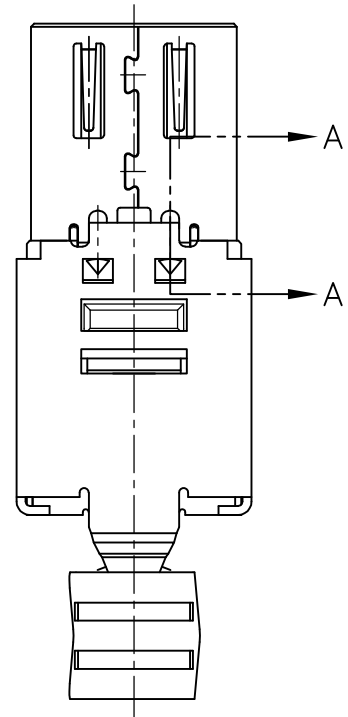
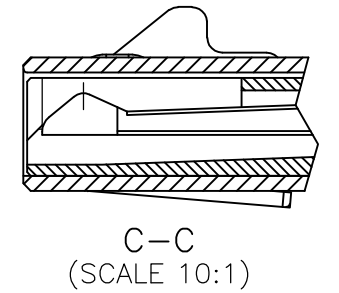
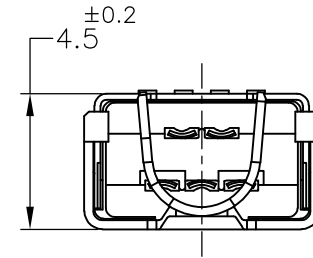
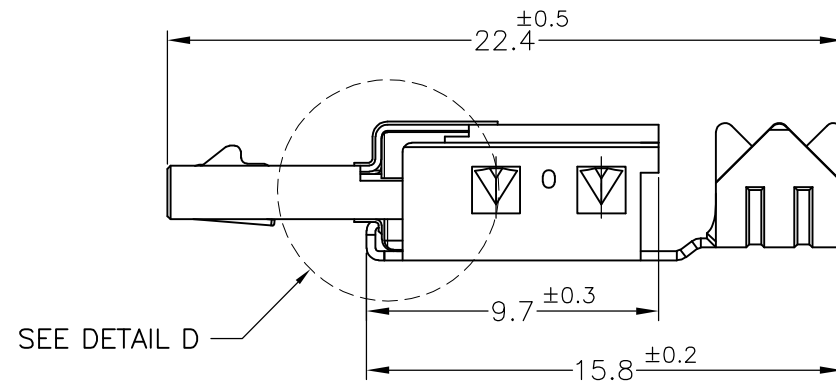
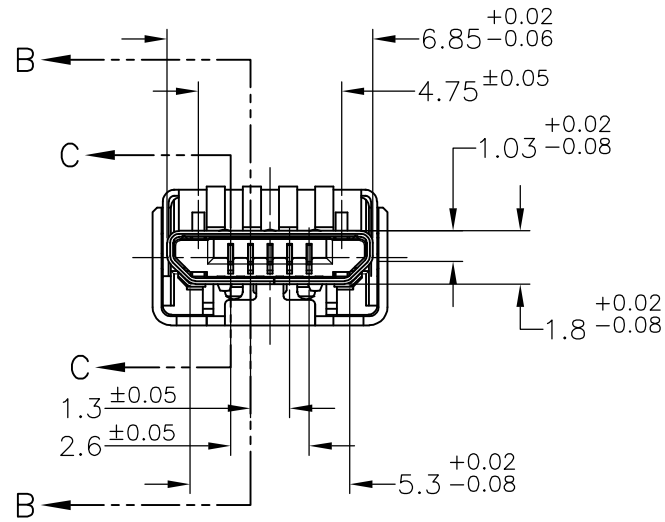
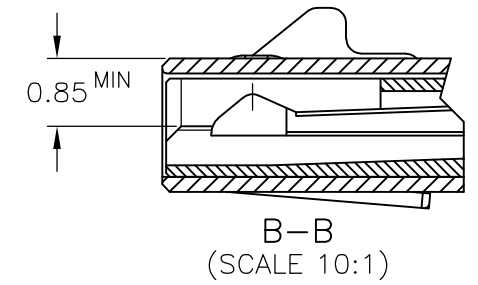
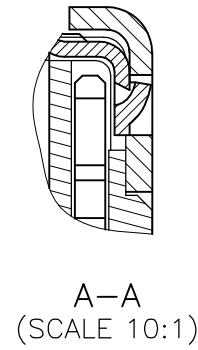
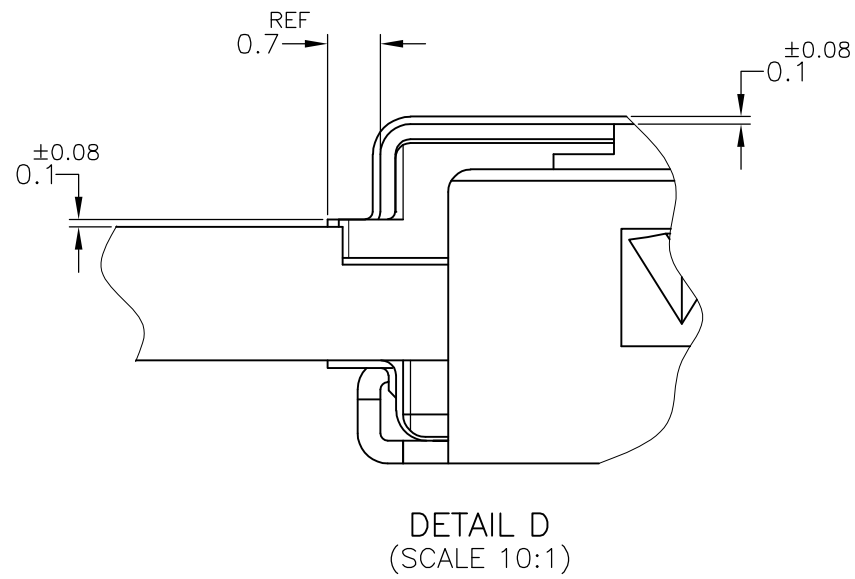
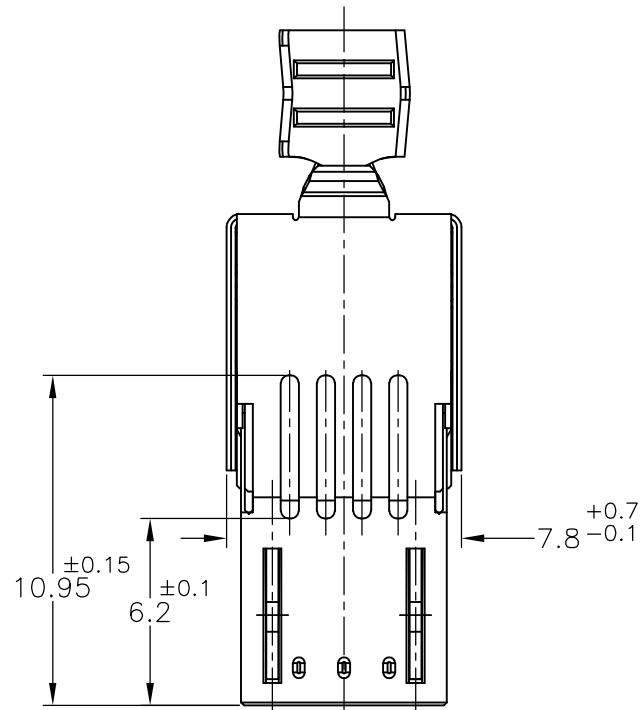
THIS DRAWING IS UNPUBLISHED.

RELEASED FOR PUBLICATION ,2006.

© COPYRIGHT 2006 By -

ALL RIGHTS RESERVED.

LOC	DIST	REVISIONS			DATE	DWN	APVD
		P	LTR	DESCRIPTION			
J				SEE SHEET 1	-	-	-

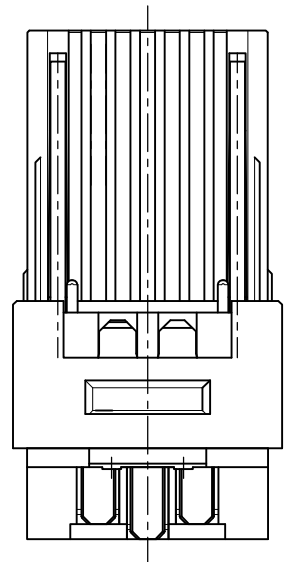
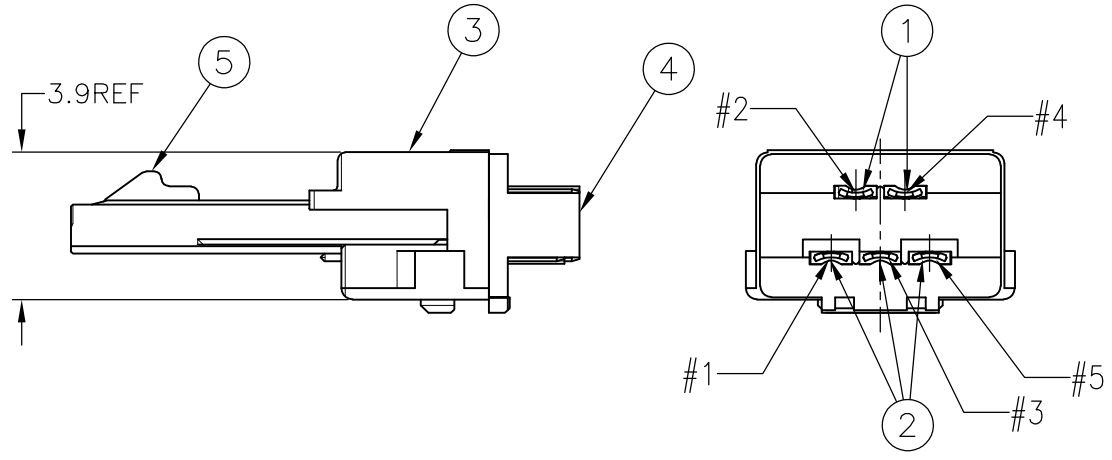
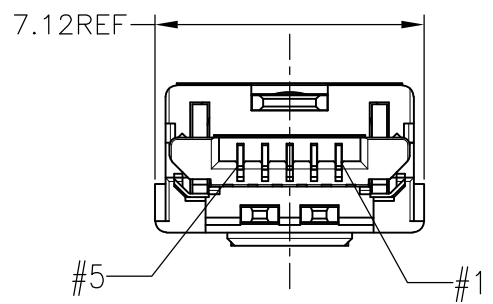
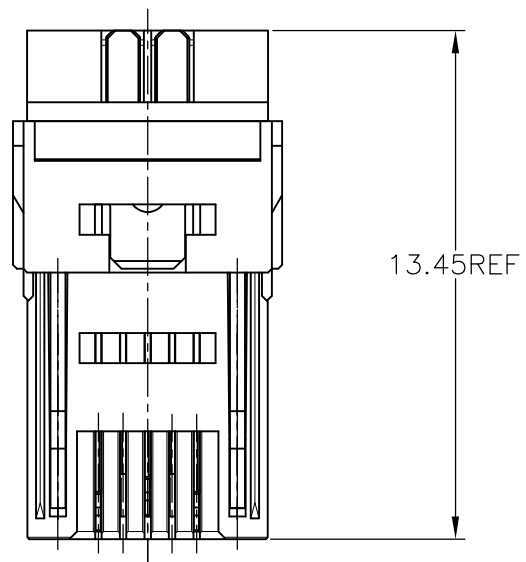


REFERENCE: SHELL ASSEMBLY

THIS DRAWING IS A CONTROLLED DOCUMENT.		DWN		STE TE Connectivity	
DIMENSIONS: 单位: 耗 mm		CHK			
TOLERANCES UNLESS OTHERWISE SPECIFIED: 一般公差		APVD		NAME 名称	
0 PLC ± -		PRODUCT SPEC 製品規格		MICRO USB I/O PLUG TYPE B KIT	
1 PLC ± -		APPLICATION SPEC 取付適用規格		SIZE	CAGE CODE
2 PLC ± -		WEIGHT		A3	00779
3 PLC ± -		CUSTOMER DRAWING		DRAWING NO 番号	1939054
4 PLC ± -		SCALE 尺度		RESTRICTED TO	
ANGLES ± -		4:1		SHEET	2 of 3
FINISH 仕上		REV		H	

THIS DRAWING IS UNPUBLISHED. RELEASED FOR PUBLICATION ,2006.
 © COPYRIGHT 2006 By - ALL RIGHTS RESERVED.

LOC	DIST	REVISIONS 変更					
J	/	P	LTR	DESCRIPTION	DATE	DWN	APVD
		-		SEE SHEET 1	-	-	-



REFERENCE: SUB ASSY

NAME	TOOLING STATUS	P/N	DESCRIPTION	PART NO.	MATERIAL	FINISH	ITEM
SUB ASSY	NOT AVAILABLE	1-1939080-2	LOCK LEVER	1981274-3	STAINLESS STEEL		⑤
			BOTTOM COVER	1981198-1	THERMO PLASTIC		④
			HOUSING	1939056-1	THERMO PLASTIC		③
			CONTACT B	1939058-3	COPPER ALLOY	SELECTIVE Au PLATED OVER Ni-Pd PLATED OVER Ni PLATED	②
			CONTACT A	1939057-3	COPPER ALLOY	SELECTIVE Au PLATED OVER Ni-Pd PLATED OVER Ni PLATED	①
	AVAILABLE	1-1939080-1	LOCK LEVER	1981274-3	STAINLESS STEEL		⑤
			BOTTOM COVER	1981198-1	THERMO PLASTIC		④
			HOUSING	1939056-1	THERMO PLASTIC		③
			CONTACT B	1939058-2	COPPER ALLOY	SELECTIVE Au PLATED OVER Ni PLATED	②
			CONTACT A	1939057-2	COPPER ALLOY	SELECTIVE Au PLATED OVER Ni PLATED	①

THIS DRAWING IS A CONTROLLED DOCUMENT.

DWN	TE Connectivity MICRO USB I/O PLUG TYPE B KIT			
CHK				
APVD				
PRODUCT SPEC 製品規格				
APPLICATION SPEC 取付適用規格				
WEIGHT	SIZE: A3	CAGE CODE: 00779	DRAWING NO. 番号: C-1939054	RESTRICTED TO
CUSTOMER DRAWING		SCALE 尺度: 5:1	SHEET 3 OF 3	REV H