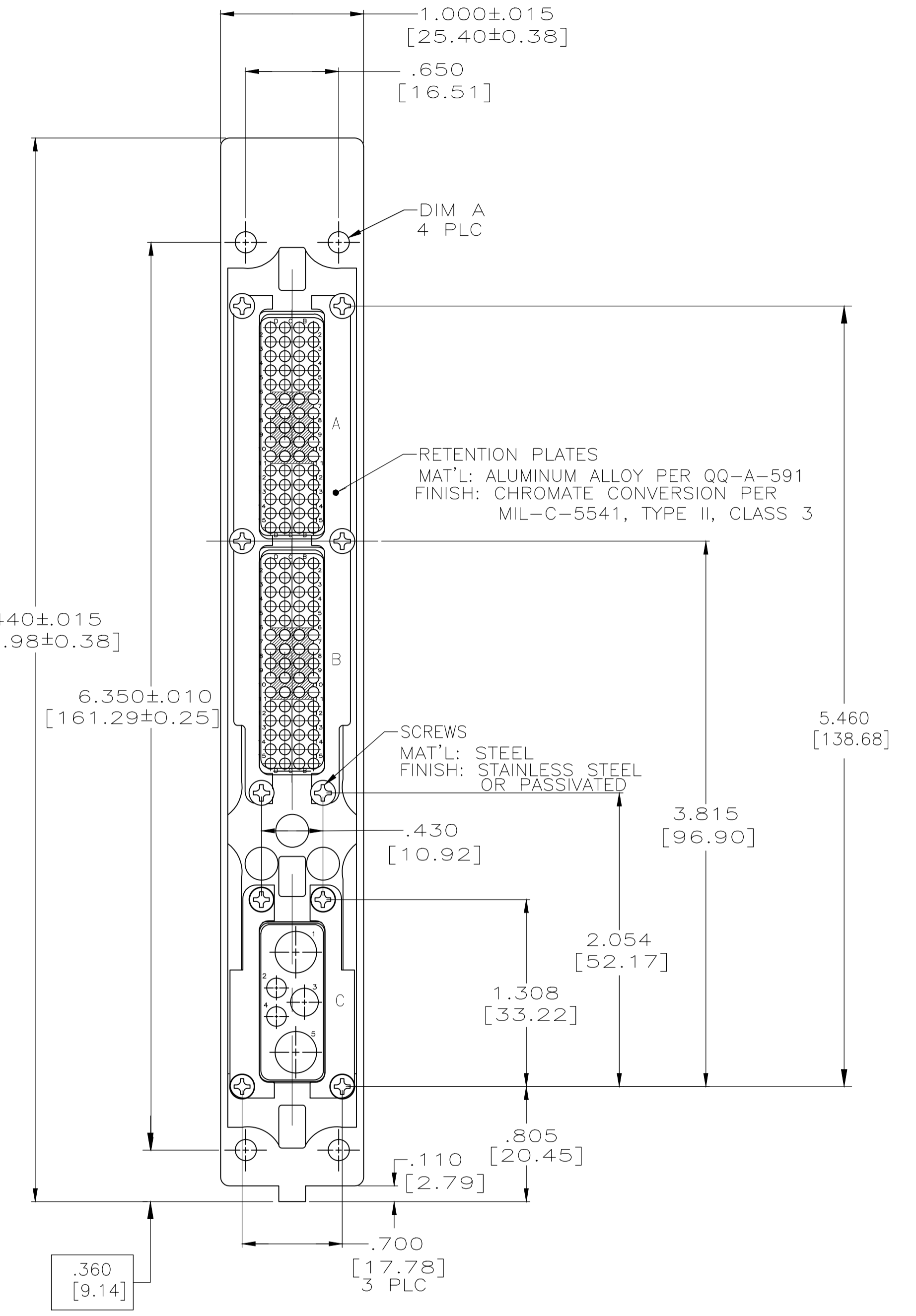
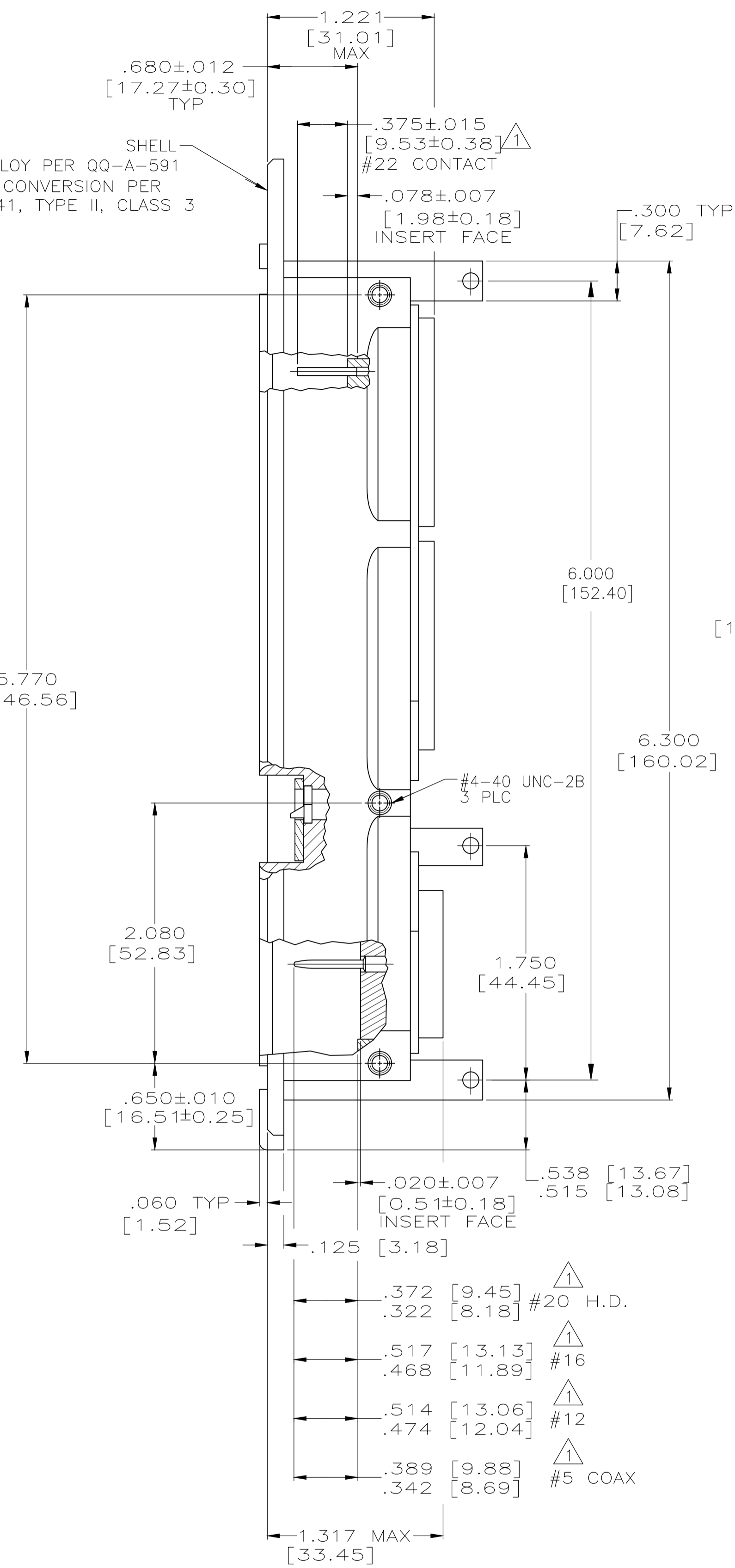
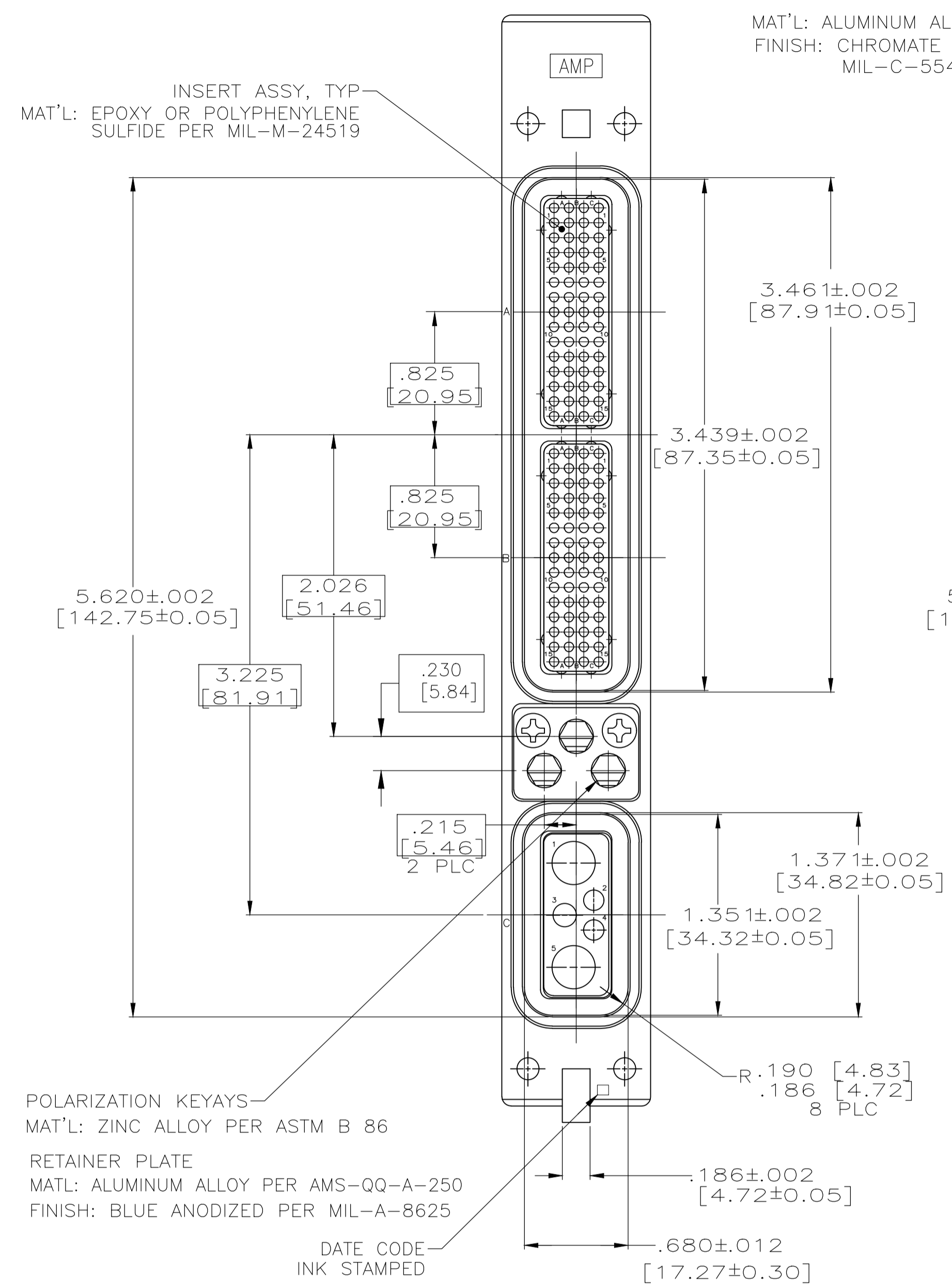


REVISIONS					
P	LTR	DESCRIPTION	DATE	DMN	APVD
R		REVISED PER ECO-17-018523	19JAN2018	PHM	CT



- △ CONTACTS ARE SHOWN IN POSITION FOR ILLUSTRATION ONLY. FOR SHIPMENT CONTACTS ARE INCLUDED IN A CONTAINER WITHIN THE CONNECTOR PACKAGE. COAX CONTACTS ARE NOT SUPPLIED AND MUST BE ORDERED SEPARATELY.
- ALL CONTACTS CAVITIES IN MODULES A & B ARE LOCATED WITHIN .006 [0.15] DIA TRUE POSITION. ALL CONTACT CAVITIES IN MODULE C ARE LOCATED WITHIN .020 [0.51] DIA TRUE POSITION.
  - POLARIZING KEYS SHOWN IN POSITION 01 FOR ILLUSTRATION ONLY. CONNECTORS SHIPPED WITH KEYING PER ORDERING INSTRUCTIONS. CONTACT INSERTS AS SHOWN FOR ILLUSTRATION ONLY. SEE TABLE FOR DISCRIPTIVE NUMBER.

.145-.151 [3.68-3.84]	NIC66E11A18AA0	1-208599-6
.145-.151 [3.68-3.84]	NIC66E11A00AA1	1-208599-5
.145-.151 [3.68-3.84]	-	1-208599-4
.145-.151 [3.68-3.84]	NIC66E11A12AAD	1-208599-3
#4-40 CLINCH NUTS	-	1-208599-2
.145-.151 [3.68-3.84]	NIC66E11A00AA0	1-208599-1
.145-.151 [3.68-3.84]	NIC66E11A11AA0	1-208599-0
.145-.151 [3.68-3.84]	NIC66E11A16AA0	208599-9
.145-.151 [3.68-3.84]	NIC66E11A23AA0	208599-8
.145-.151 [3.68-3.84]	NIC66E11A03AA1	208599-7
.145-.151 [3.68-3.84]	NIC66E11A50AA0	208599-6
.145-.151 [3.68-3.84]	NIC66E11A22AA1	208599-5
#6-32 CLINCH NUTS	NIC66E11A12CB0	208599-4
#6-32 CLINCH NUTS	NIC66E11A19CB1	208599-3
.145-.151 [3.68-3.84]	NIC66E11A01AA1	208599-2
.145-.151 [3.68-3.84]	NIC66E11A01AA0	208599-1
DIM A	DESCRIPTIVE NUMBER	PART NUMBER

THIS DRAWING IS A CONTROLLED DOCUMENT.

DMN: C.C.THOMAS 11-20-95  
CHK: R.GROSS 4-11-96

APVD: R.GROSS 4-11-96

NAME: RECEPTACLE ASSY, SIZE 1, ARINC 600

PRODUCT SPEC: -

APPLICATION SPEC: -

SIZE: A1

WEIGHT: -

CUSTOMER DRAWING

SCALE: 1:1

SHEET: 1 OF 1

REV: R

RESTRICTED TO: -

TE Connectivity Ltd.