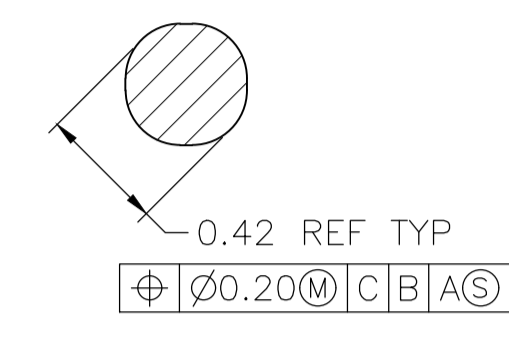
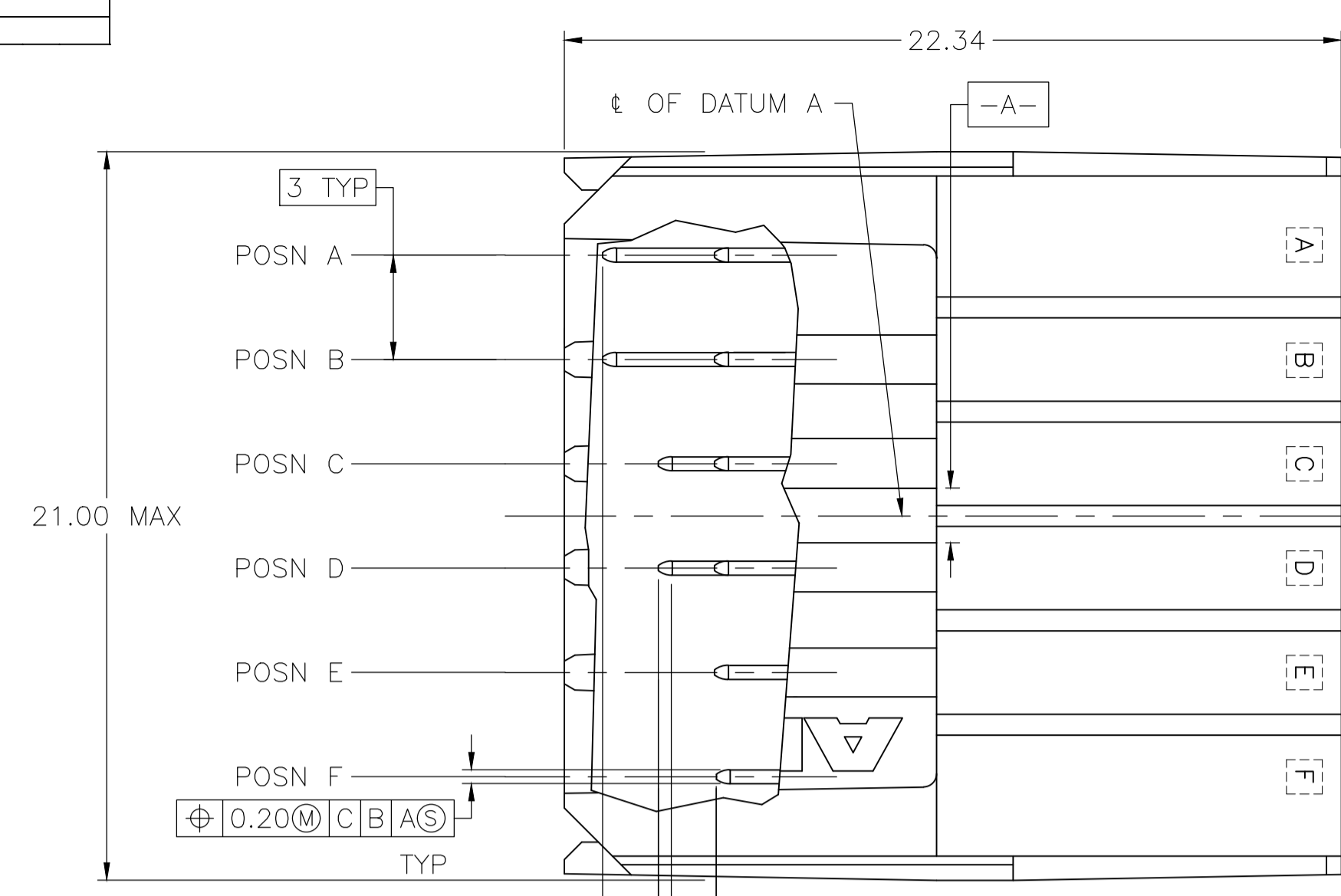
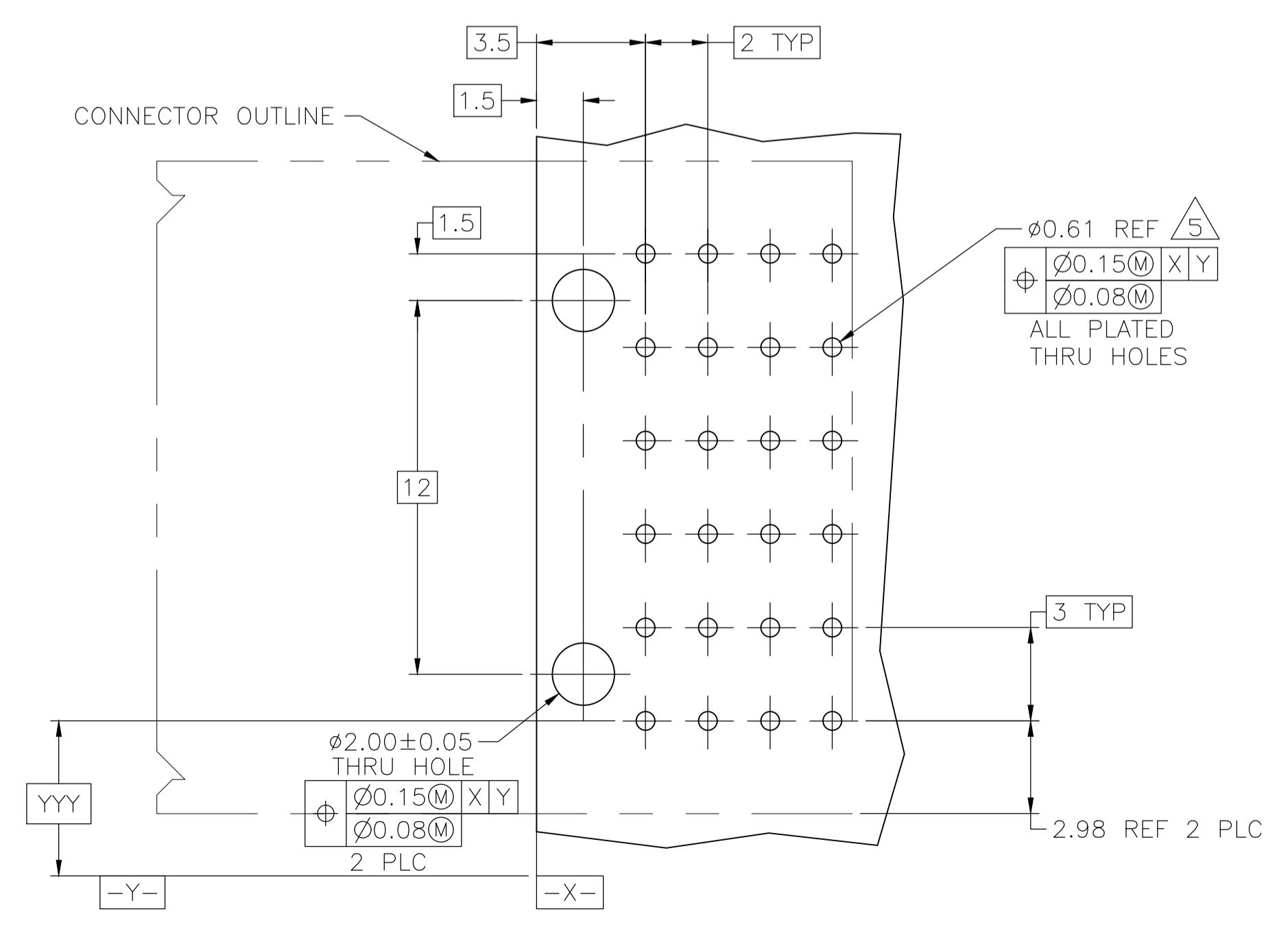
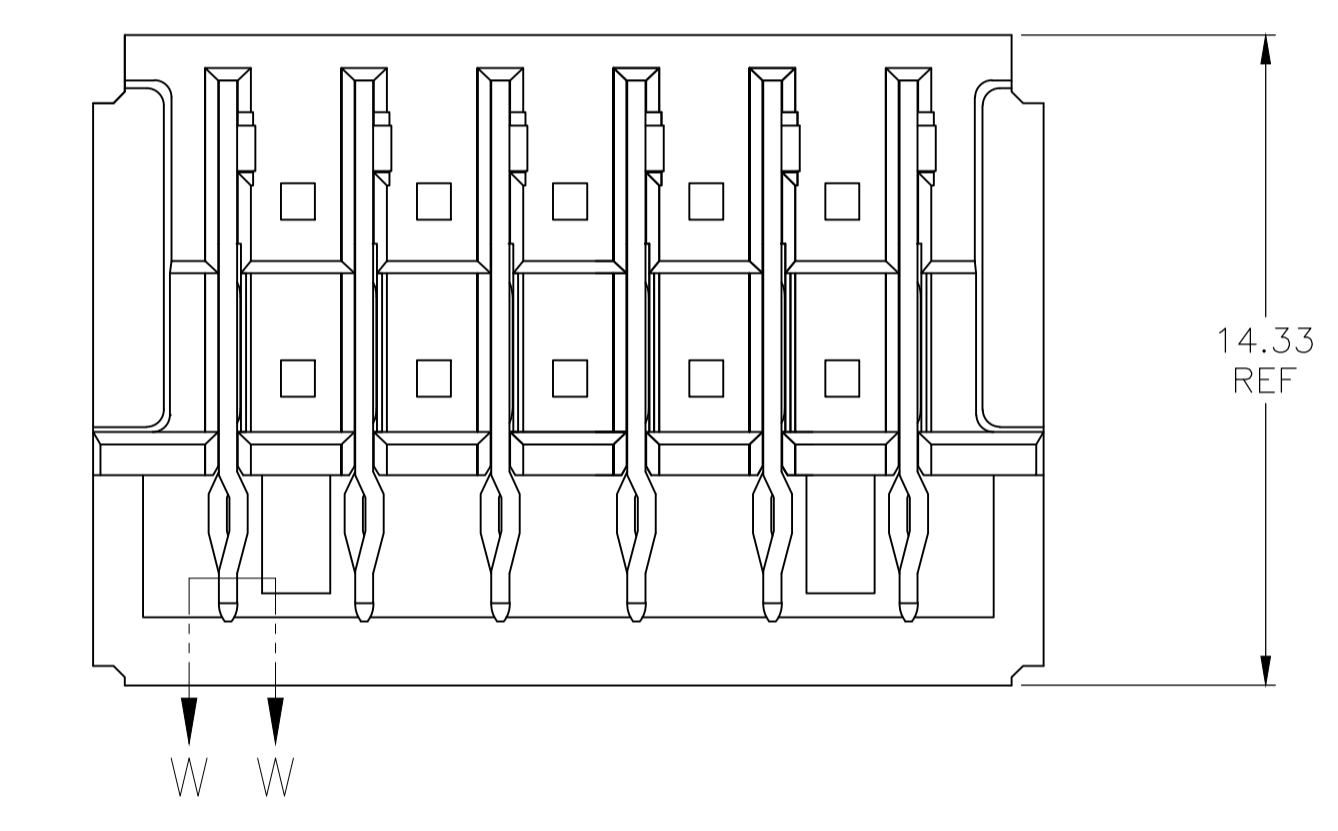
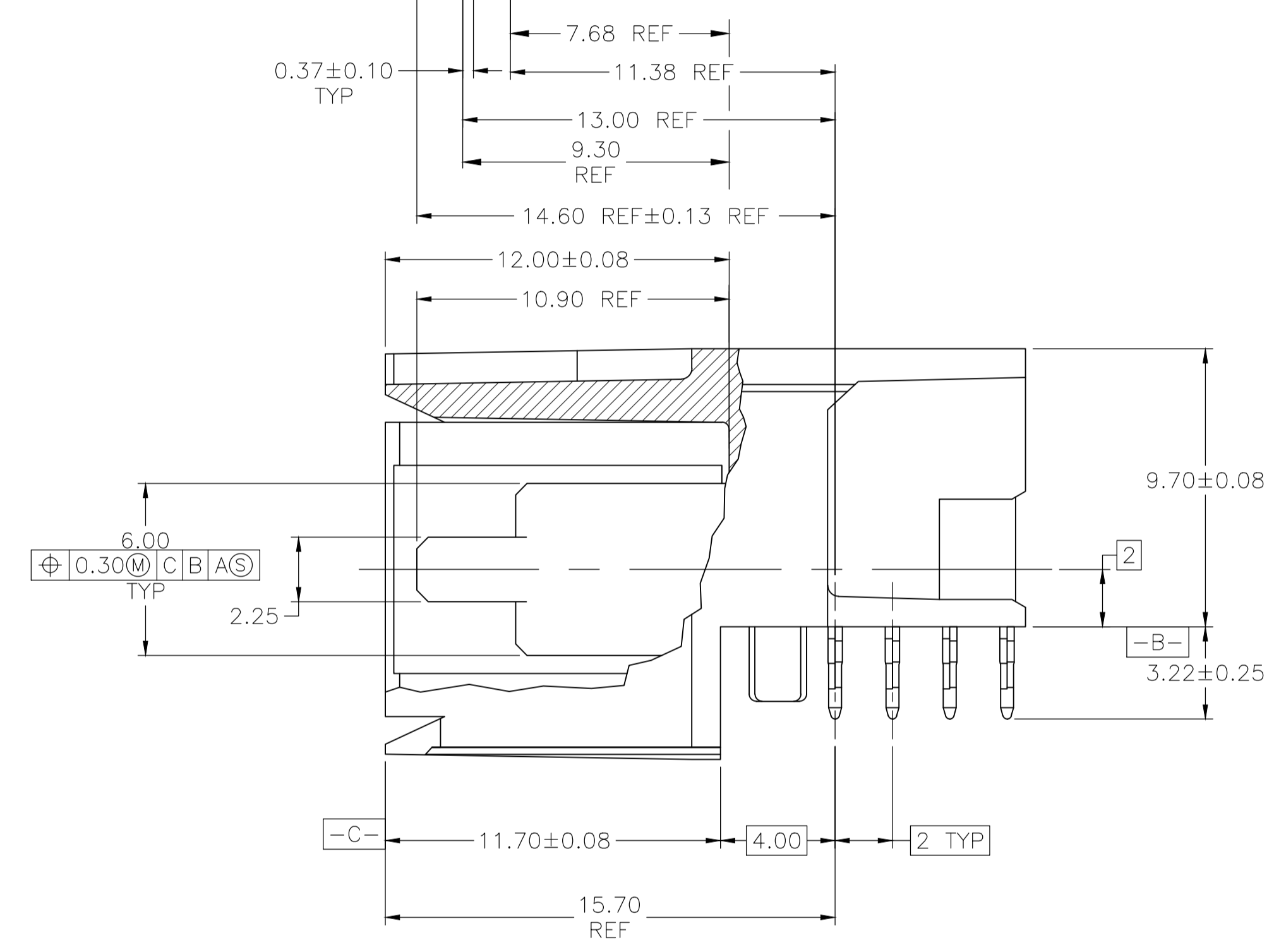
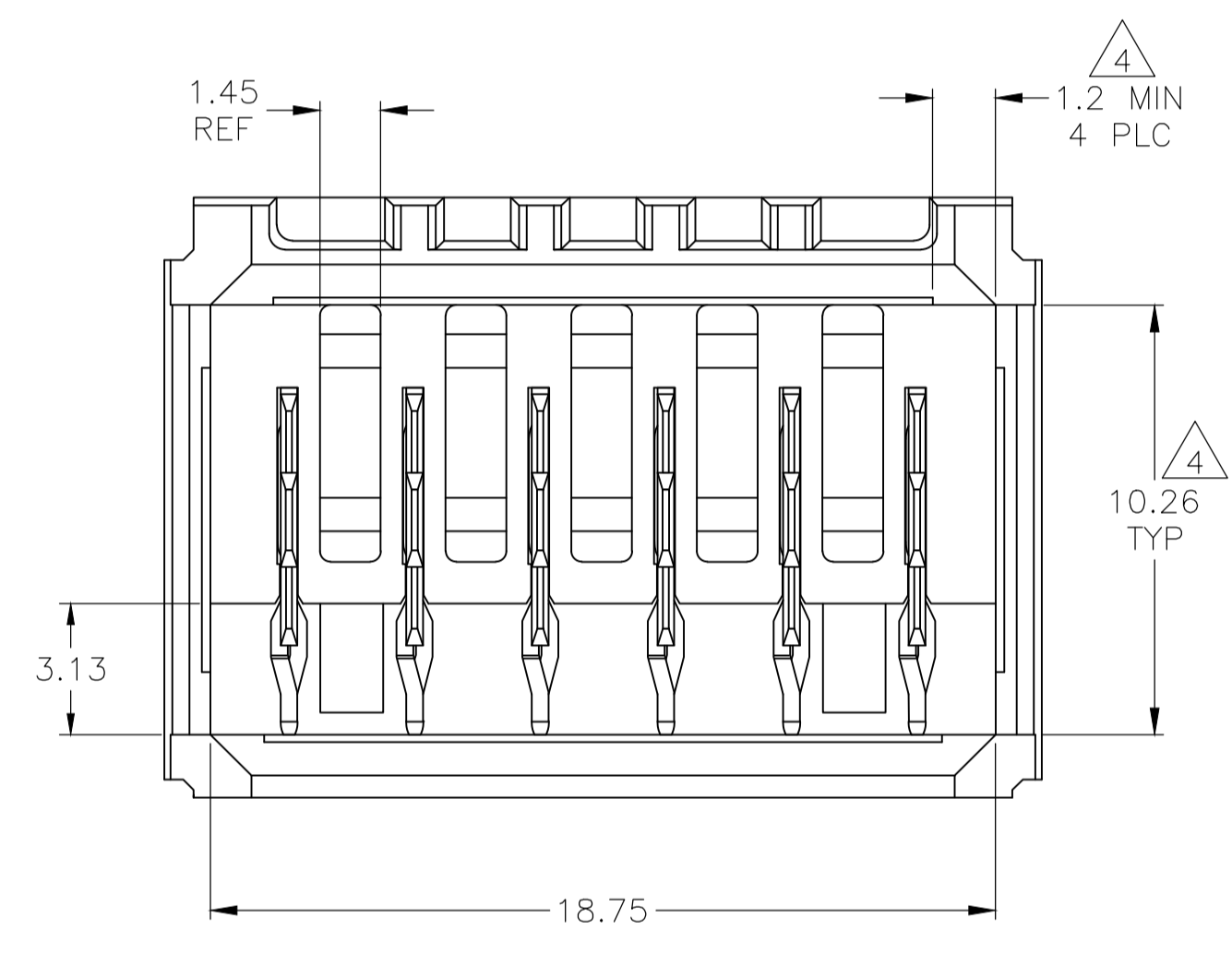


LOC		DIST		REVISIONS				
AD	00	REV	DATE	BY	CHK	APP'D		
C1		REVISED PER ECR-20-004560	04JAN11	ML	SZ			



SECTION W-W
 SCALE 40:1

- 1 MATERIAL: HOUSING: POLYESTER, GRAY. UL 94V-0. CONTACT: HIGH CURRENT COPPER ALLOY.
- 2 FINISH: IN ACCORDANCE WITH PRODUCT SPECIFICATION 108-1651, GOLD PLATING OR EQUIVALENT PLATING ON PRODUCT CONTACT MATING AREA, AND MATTE TIN PLATING ON COMPLIANT PIN AREA, ALL OVER MATTE NICKEL UNDERPLATED. DETAIL PLEASE REFER TO PRODUCT SPECIFICATION 108-1651.
- 3 FINISH: CONTACT LUBRICATION WITH BELLCORE APPROVED LUBRICANT. TECHNICAL REFERENCE: GR-1217-CORE, ISSUE 1, NOVEMBER 1995.
- 4 THE 10.26±0.13 DIMENSION APPLIES IN THIS AREA.
- 5 REFERENCE APPLICATION SPEC 114-1103 FOR RECOMMENDED PLATED THRU HOLE DIAMETER AND PLATING THICKNESSES.
6. CURRENT RATING 16A/CONTACT PER PRODUCT SPEC 108-1651.



RECOMMENDED PCB HOLE LAYOUT

A		B		C,D,E,F		6		120956-2	
A,B,C,D,E,F		-		-		6		120956-1	
POSITIONS LOADED WITH 10.90 REF CONTACTS		POSITIONS LOADED WITH 9.30 REF CONTACTS		POSITIONS LOADED WITH 7.68 REF CONTACTS		NO OF LOADED POSITIONS		PART NUMBER	

THIS DRAWING IS A CONTROLLED DOCUMENT.		DIN B CARBO 110CT04		Tyco Electronics Corporation	
DIMENSIONS: mm		CHK R PATTERSON 110CT04		Harrisburg, Pa 17105-3608	
TOLERANCES UNLESS OTHERWISE SPECIFIED:		APP'D R PATTERSON 110CT04		NAME	
0 PLC ± -		PRODUCT SPEC		ASSEMBLY, RIGHT ANGLE HEADER, W/ RETENTION PEGS, UNIVERSAL POWER MODULE	
1 PLC ± -		APPLICATION SPEC		108-1651	
2 PLC ± 0.13		SIZE		A1	
3 PLC ± -		DRAWING NO		00779	
4 PLC ± -		WEIGHT		C=120956	
ANGLES ± -		CUSTOMER DRAWING		SCALE 6:1	
MATERIAL		RESTRICTED TO		SHEET 1 of 1	
FINISH		REV		C1	