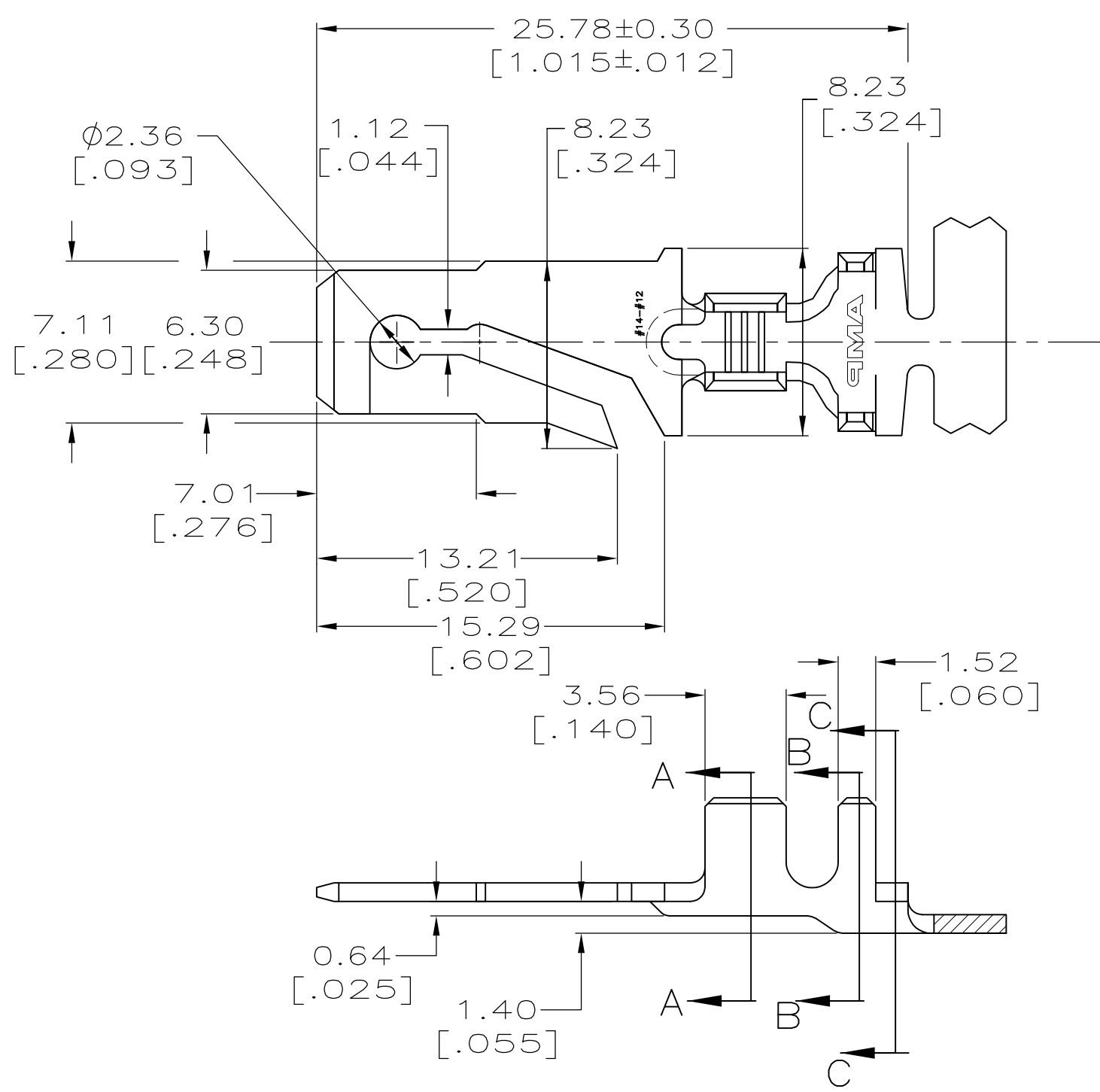
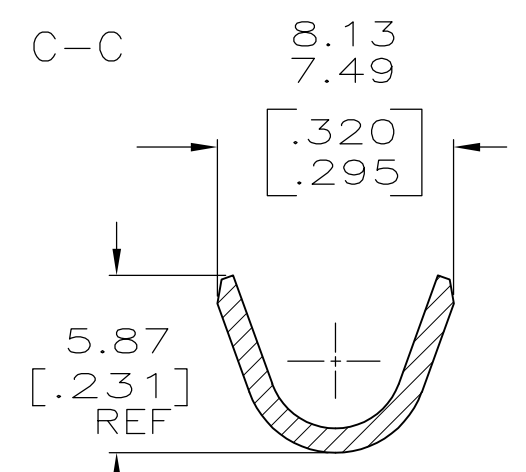
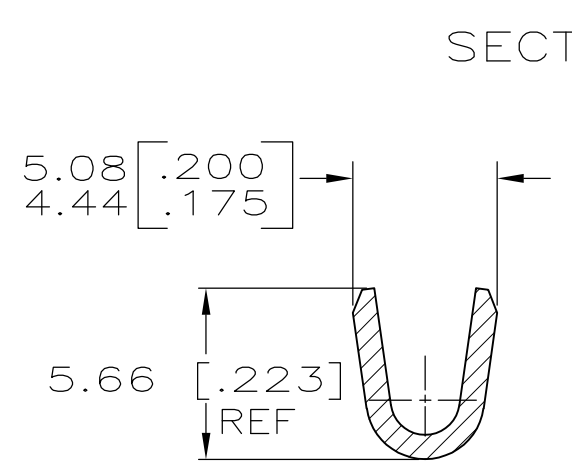
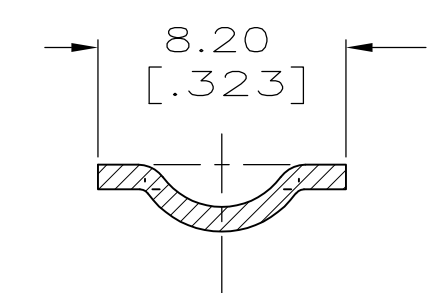


THIS DRAWING IS UNPUBLISHED. RELEASED FOR PUBLICATION
 © COPYRIGHT - By - ALL RIGHTS RESERVED.


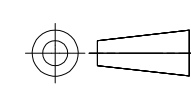
LOC	DIST	REVISIONS			
P	LTR	DESCRIPTION	DATE	DWN	APVD
AF	50	D	REVISED PER ECR-13-005733	22AUG2013	KH PD



- 1 CONTINUOUS STRIP ON REELS.
- 2 WIRE SIZE IS [#14-#12] AWG.
- 3 INSULATION RANGE IS 3.56-4.44 [.140-.175] DIA.



1217148-1
PART NO.

THIS DRAWING IS A CONTROLLED DOCUMENT.		DWN	JR RUTH	29MAR99	 TE Connectivity
DIMENSIONS: mm [INCHES]		CHK	MS FEHER	29MAR99	
TOLERANCES UNLESS OTHERWISE SPECIFIED:		APVD	D BRATINA	29MAR99	
0 PLC ± - 1 PLC ± - 2 PLC ± 0.25 [.010] 3 PLC ± - 4 PLC ± - ANGLES ± -		PRODUCT SPEC		NAME	
MATERIAL	BRASS	FINISH	TIN	APPLICATION SPEC	
		WEIGHT	-		RESTRICTED TO
CUSTOMER DRAWING		SIZE	A3	CAGE CODE	00779
		DRAWING NO	C-1217148		SCALE
		SCALE	4:1		SHEET
		SHEET	1 OF 1		REV
		REV	D		