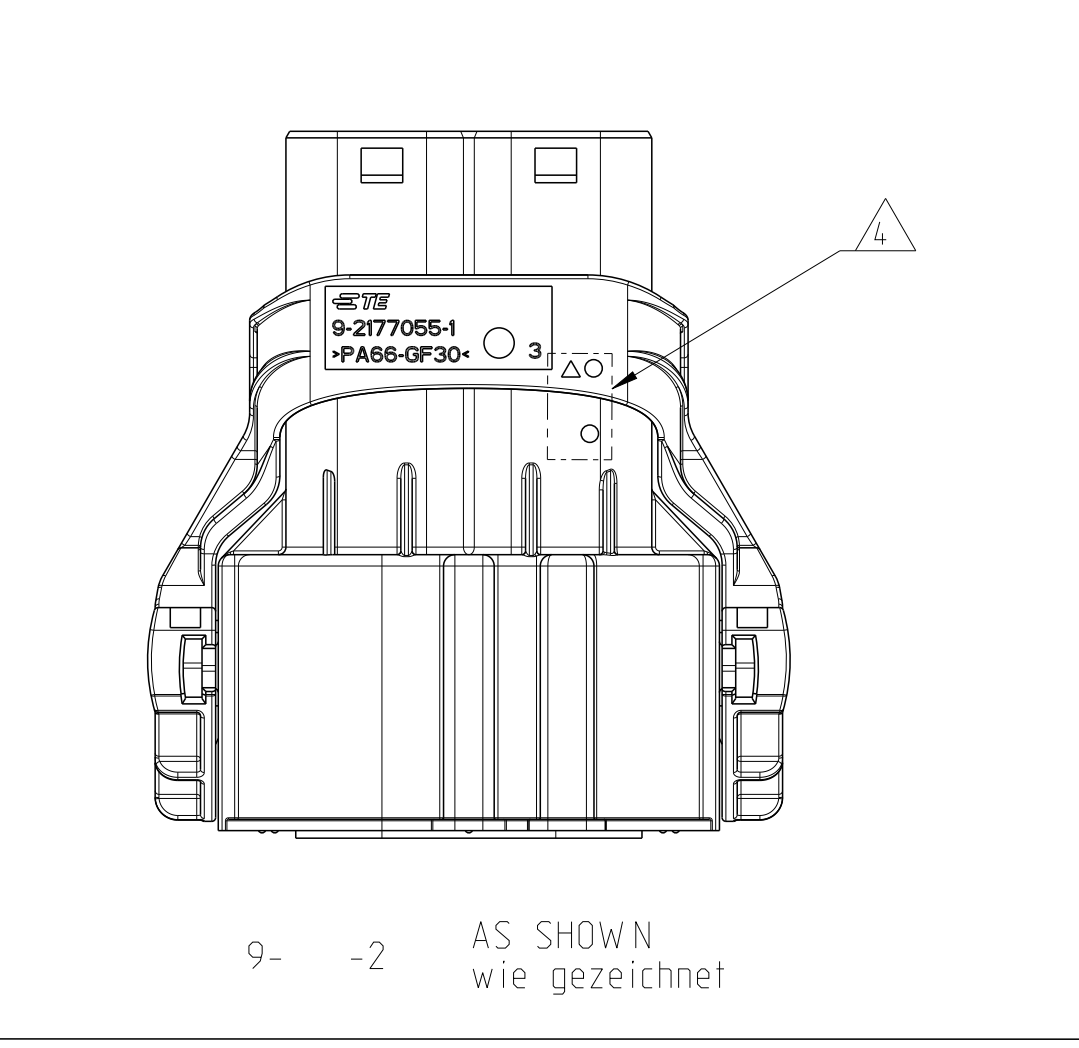
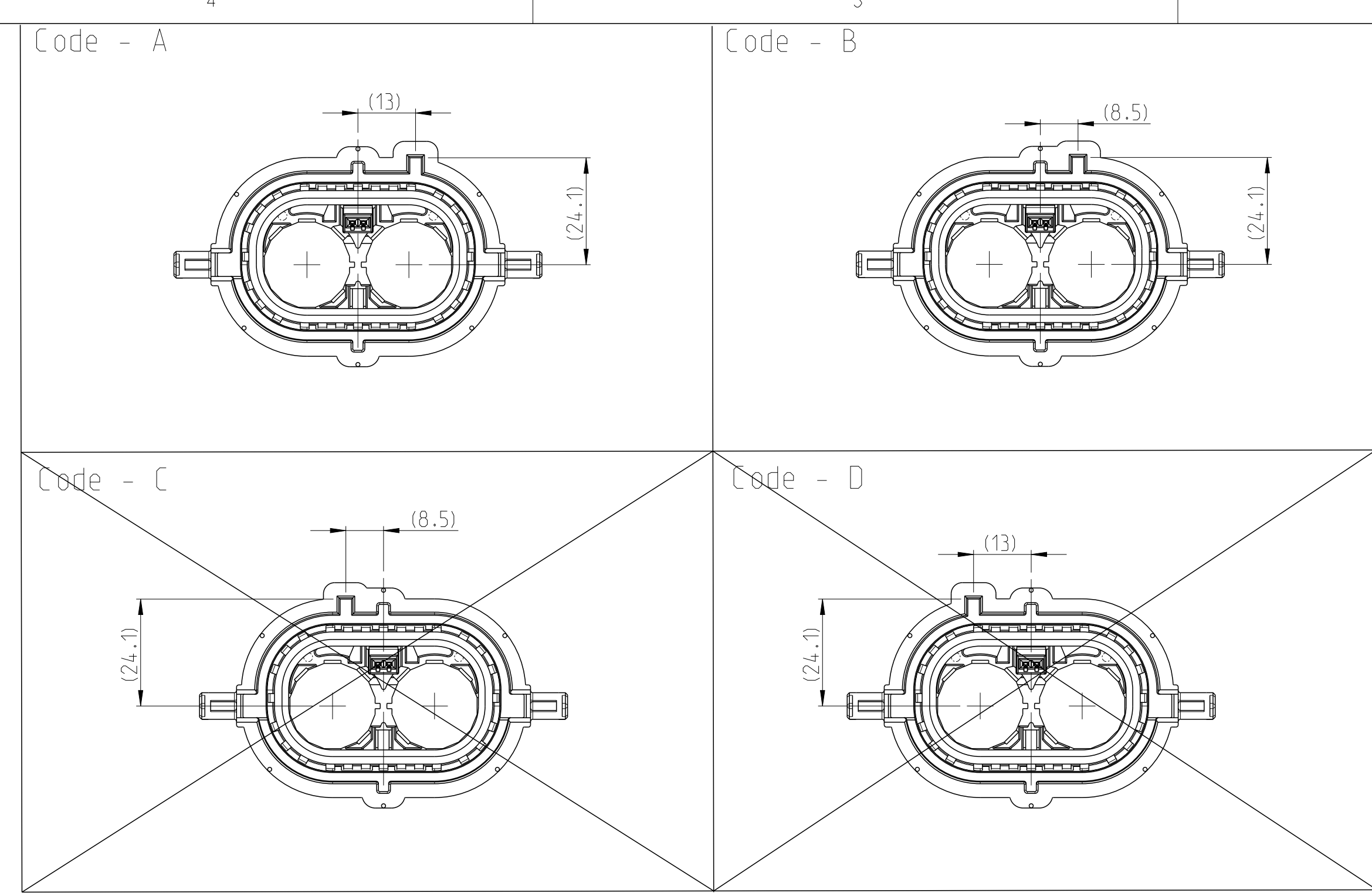


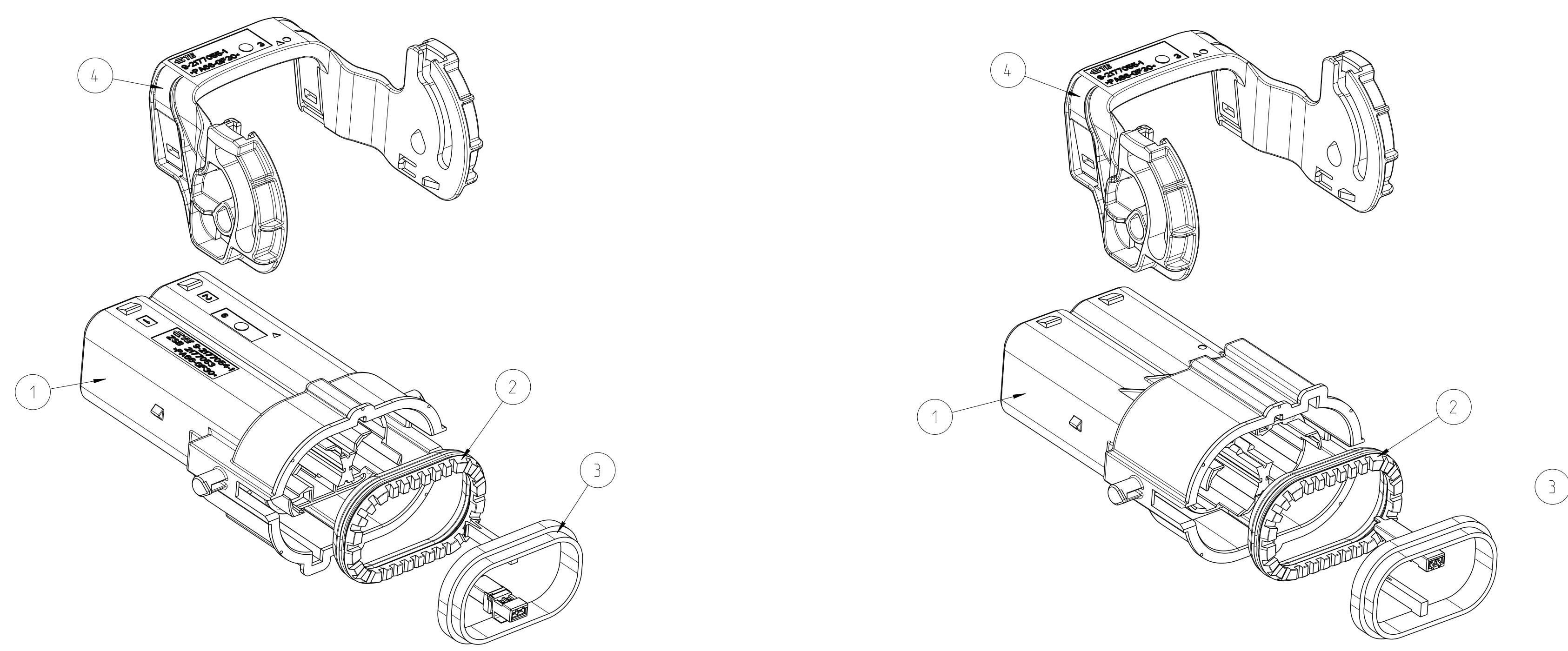
9- -1 AS SHOWN wie gezeichnet



9- -2 AS SHOWN wie gezeichnet



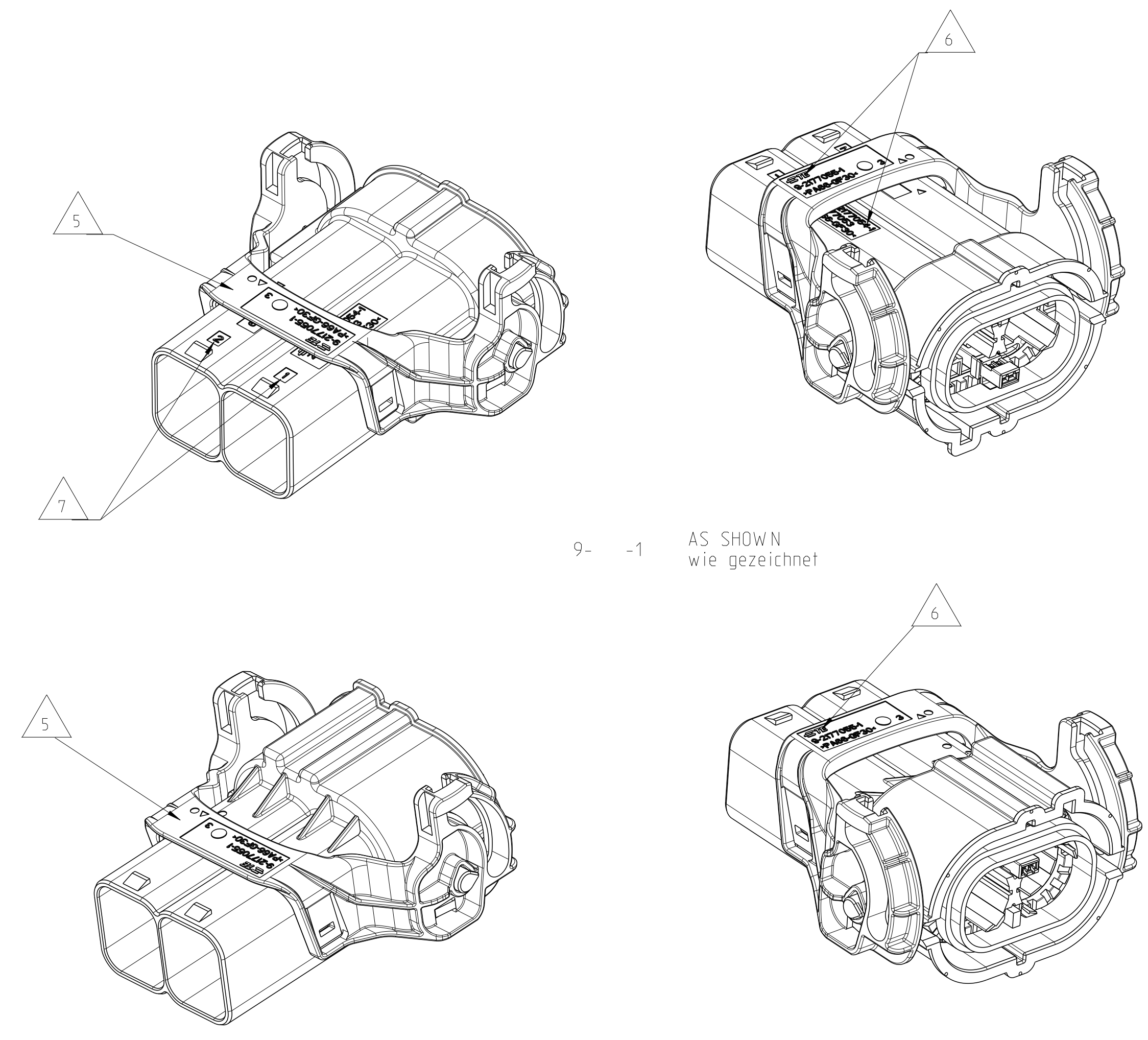
VIEWS WITHOUT LEVER  
Ansichten ohne Hebel  
CODINGS  
Kodierung  
1:1



9- -1 AS SHOWN wie gezeichnet

9- -2 AS SHOWN wie gezeichnet

| CODE | TE ASSY-NO. | REV | WEIGHT (g) | QTY | TE PART-NO. | TE SUB-ASSY-NO. | DESCRIPTION  | MATERIAL  | WEIGHT (g) | SURFACE COLOUR                     | ITEM SYMBOL |
|------|-------------|-----|------------|-----|-------------|-----------------|--|---|------------|------------------------------------|-------------|
| B    | 9-2177053-4 | 6   | 85         | 1   | 9-2177055-2 | -               | LEVER, 2POS, 180 DEG Spannhebel, 2pos, 180 Grad  | PA66-GF30<br>PN 0-0704115-1<br>W.-1.5% BATCH<br>PN 1-1192910-5    | 19.8       | WHITE / weiss<br>RAL 9010 (9011)   | 4           |
|      |             |     |            | 1   | -           | 9-2177056-1     | 2POS, MCON-1.2, REC HSG, 180 DEG, Assy<br>2pot, MCON-1.2, Dichtungshalter-Assy, 180 Grad     | -   | -          | -                                  | 3           |
|      |             |     |            | 1   | 9-2141152-1 | -               | RADIAL SEAL 23.9x43.3<br>Radialdichtung . 90 Grad  | Sitopren LSR 3485/35A<br>PN 0-0704300-1/-2                        | 3.2        | NATURAL<br>RAL 9001                | 2           |
|      |             |     |            | 1   | 9-2177054-2 | -               | 2POS, 8MM HV, REC HSG, 180 DEG, SEALED<br>2pot Gehäuse, 8mm HV, REC HSG, 180 Grad, gedichtet | PA66-GF30<br>PN 0-0702281-1<br>W. 2.5%-4% BATCH<br>PN 0-1573806-1 | 62         | ORANGE<br>RAL 2003                 | 1           |
| B    | 9-2177053-3 | 6   | 85         | 1   | 9-2177055-2 | -               | LEVER, 2POS, 180 DEG Spannhebel, 2pos, 180 Grad  | PA66-GF30<br>PN 0-0704115-1<br>W.-1.5% BATCH<br>PN 1-1192910-5    | 19.8       | WHITE / weiss<br>RAL 9010 (9011)   | 4           |
|      |             |     |            | 1   | -           | 9-2177056-1     | 2POS, MCON-1.2, REC HSG, 180 DEG, Assy<br>2pot, MCON-1.2, Dichtungshalter-Assy, 180 Grad     | -   | -          | -                                  | 3           |
|      |             |     |            | 1   | 9-2141152-1 | -               | RADIAL SEAL 23.9x43.3<br>Radialdichtung . 90 Grad  | Sitopren LSR 3485/35A<br>PN 0-0704300-1/-2                        | 3.2        | NATURAL<br>RAL 9001                | 2           |
|      |             |     |            | 1   | 9-2177054-2 | -               | 2POS, 8MM HV, REC HSG, 180 DEG, SEALED<br>2pot Gehäuse, 8mm HV, REC HSG, 180 Grad, gedichtet | PA66-GF30<br>PN 0-0702281-1<br>W. 2.5%-4% BATCH<br>PN 0-1573806-1 | 62         | ORANGE<br>RAL 2003                 | 1           |
| A    | 9-2177053-2 | 6   | 85         | 1   | 9-2177055-1 | -               | LEVER, 2POS, 180 DEG Spannhebel, 2pos, 180 Grad  | PA66-GF30<br>PN 0-0704115-1                                       | 19.8       | BLACK / schwarz<br>RAL 9005 (9011) | 4           |
|      |             |     |            | 1   | -           | 9-2177056-1     | 2POS, MCON-1.2, REC HSG, 180 DEG, Assy<br>2pot, MCON-1.2, Dichtungshalter-Assy, 180 Grad     | -   | -          | -                                  | 3           |
|      |             |     |            | 1   | 9-2141152-1 | -               | RADIAL SEAL 23.9x43.3<br>Radialdichtung . 90 Grad  | Sitopren LSR 3485/35A<br>PN 0-0704300-1/-2                        | 3.2        | NATURAL<br>RAL 9001                | 2           |
|      |             |     |            | 1   | 9-2177054-1 | -               | 2POS, 8MM HV, REC HSG, 180 DEG, SEALED<br>2pot Gehäuse, 8mm HV, REC HSG, 180 Grad, gedichtet | PA66-GF30<br>PN 0-0702281-1<br>W. 2.5%-4% BATCH<br>PN 0-1573806-1 | 62         | ORANGE<br>RAL 2003                 | 1           |
| A    | 9-2177053-1 | 6   | 85         | 1   | 9-2177055-1 | -               | LEVER, 2POS, 180 DEG Spannhebel, 2pos, 180 Grad  | PA66-GF30<br>PN 0-0704115-1                                       | 19.8       | BLACK / schwarz<br>RAL 9005 (9011) | 4           |
|      |             |     |            | 1   | -           | 9-2177056-1     | 2POS, MCON-1.2, REC HSG, 180 DEG, Assy<br>2pot, MCON-1.2, Dichtungshalter-Assy, 180 Grad     | -   | -          | -                                  | 3           |
|      |             |     |            | 1   | 9-2141152-1 | -               | RADIAL SEAL 23.9x43.3<br>Radialdichtung . 90 Grad  | Sitopren LSR 3485/35A<br>PN 0-0704300-1/-2                        | 3.2        | NATURAL<br>RAL 9001                | 2           |
|      |             |     |            | 1   | 9-2177054-1 | -               | 2POS, 8MM HV, REC HSG, 180 DEG, SEALED<br>2pot Gehäuse, 8mm HV, REC HSG, 180 Grad, gedichtet | PA66-GF30<br>PN 0-0702281-1<br>W. 2.5%-4% BATCH<br>PN 0-1573806-1 | 62         | ORANGE<br>RAL 2003                 | 1           |



9- -1 AS SHOWN wie gezeichnet

9- -2 AS SHOWN wie gezeichnet

| REV | DATE | BY | CHK | APPD |
|-----|------|----|-----|------|
| 1   |      |    |     |      |

- NOTES  
Bemerkungen
- IN CASE OF DISCREPANCIES BETWEEN GERMAN AND ENGLISH TEXT THE GERMAN TEXT IS BINDING  
Im Falle von Unterschieden zwischen dem deutschen und dem englischen Text ist der deutsche Text verbindlich
  - LAYER PACKING WITH CORRUGATED CARDBOARD INTO CARTON ACCORDING SPEC 107-18032  
Lagenweise Verpackung mit
  - SPECIFIED WIRE RANGE: SEE   
Spezifizierter Leitungsquerschnitt: siehe
  - VISUAL CONTROL OF VARIANT, SEE TABLE  
Optische Kontrolle der Variante, siehe Tabelle
  - SUPPLY CONDITION: LEVER IN ENDOCKING POSITION  
Anlieferzustand: Hebel in Endraststellung
  - SUPPLIER MARK  
Lieferantenkennzeichnung
  - CAVITY IDENTIFICATION  
Kammerbezeichnung

| NOTE Bem. | FEATURE Merkmal                                    |
|-----------|--|
|           | PRODUCT-SPEC. 108-94297<br>Produktl-Spez.          |
|           | APPLICATION-SPEC. 114-94130<br>Verarbeitungs-Spez. |

THIS DRAWING IS A CONTROLLED DOCUMENT. DATE: 11MAY2011  
 DRAWN: T. Salman, CHN, 12MAY2011  
 CHECKED: U. Hoedemeyer, DEU, 12MAY2011  
 APPROVED: H. Vial, DEU, 12MAY2011  
 PRODUCT SPEC: 108-94297  
 APPLICATION SPEC: 114-94130  
 VERIFICATION SPEC: 114-94130  
 MATERIAL: SEE TABLE  
 FINISHES: SEE TABLE  
 WEIGHT: SEE TABLE  
 SCALE: 1:1  
 SHEET: 2 OF 2  
 REV: 1

STE TE Connectivity  
 2POS, 8mmHV, REC HSG, 180DEG, ASSY, SEALED  
 2pot, gedichtete Assy, 8mm HV, 180 Grad

Customer Drawing