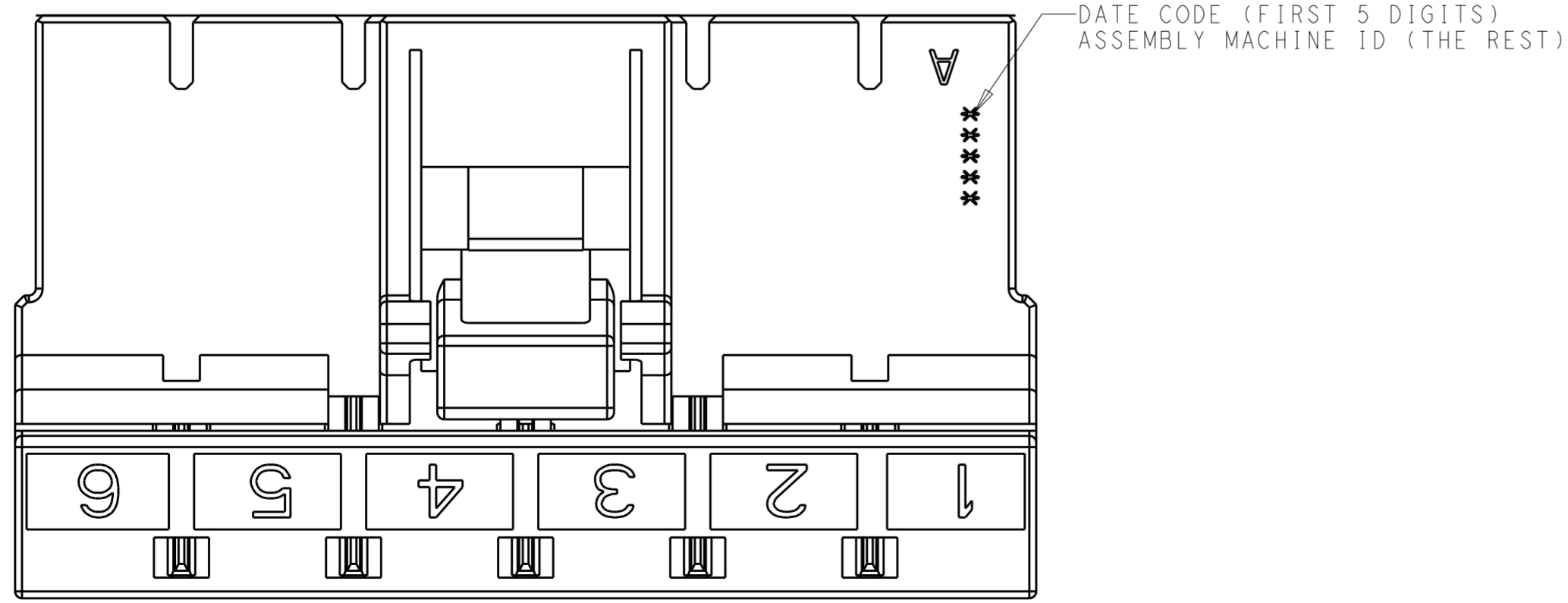
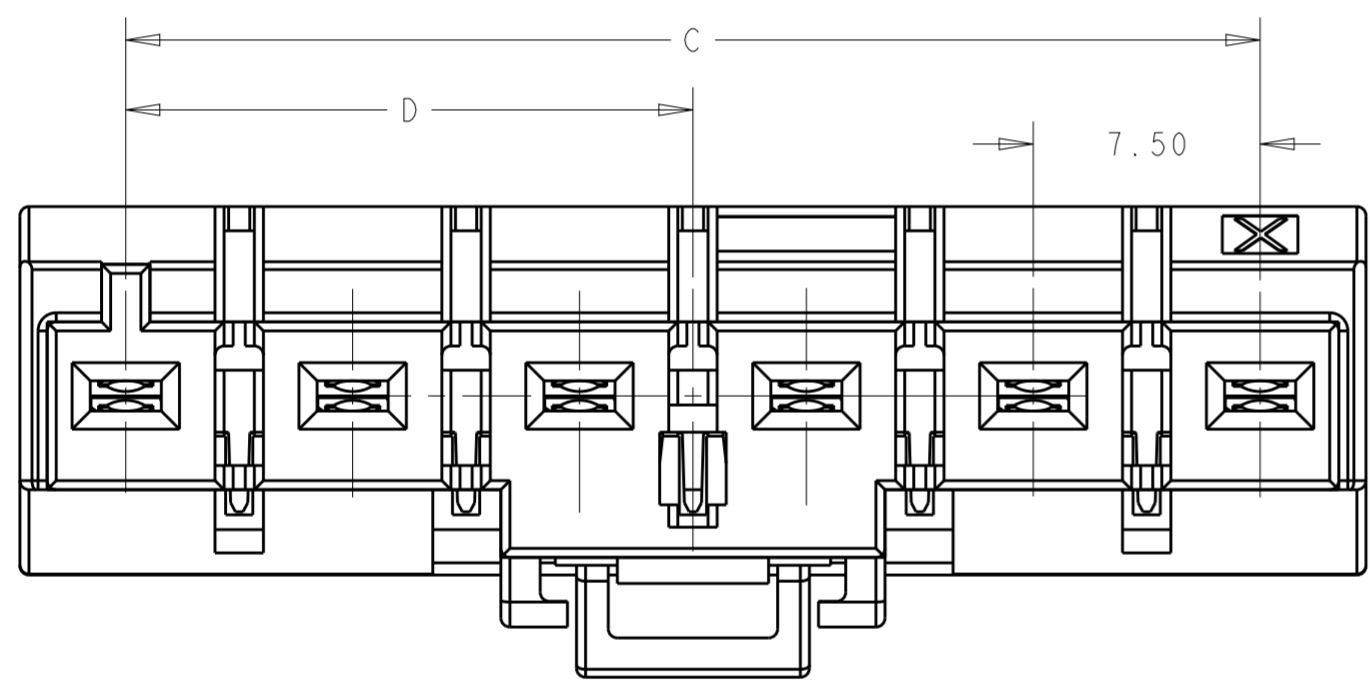
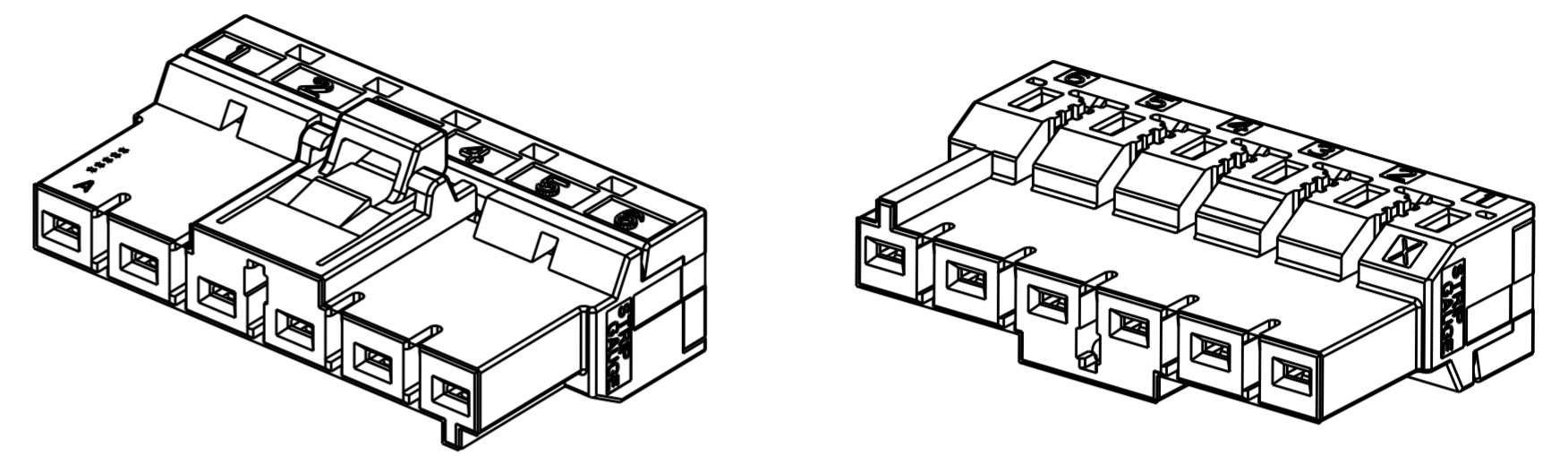
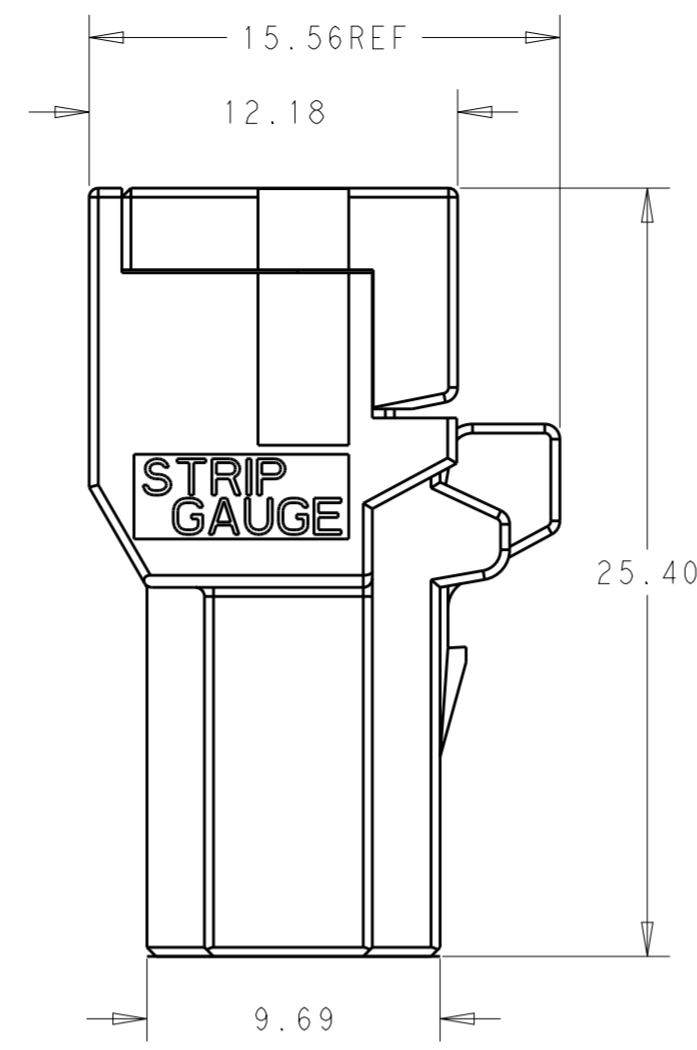
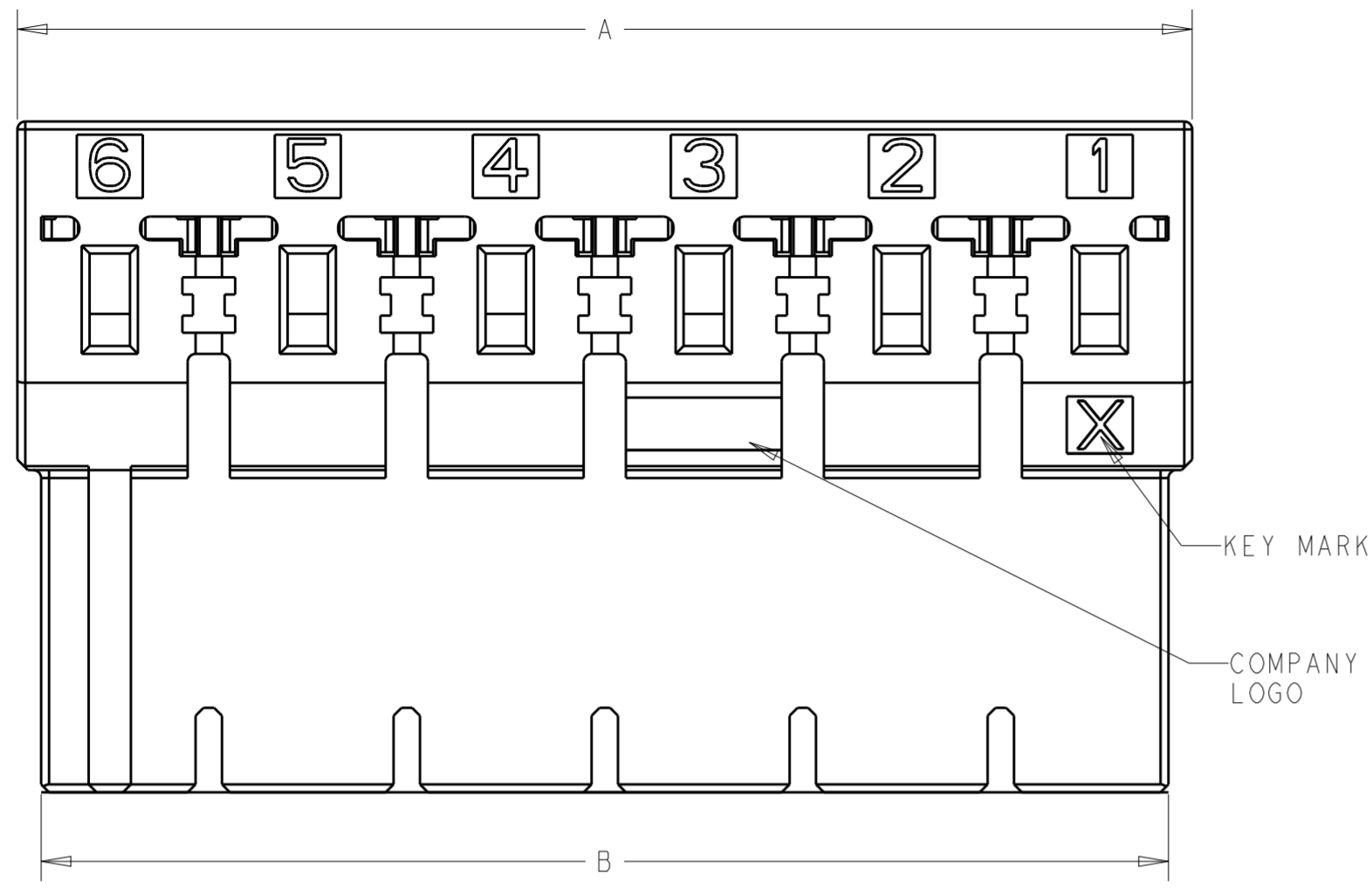


THIS DRAWING IS UNPUBLISHED. RELEASED FOR PUBLICATION 20  
 © COPYRIGHT 20 BY - ALL RIGHTS RESERVED.

REVISIONS					
P	LTR	DESCRIPTION	DATE	DWN	APVD
B		REVISED	25JUN2018	K.T	E.I
C		REVISED PER ECR-19-016272	21OCT2019	T.S	E.I



- ① COMPLIES WITH DIRECTIVES 2002/95/EC (ROHS)
- ② RATED VOLTAGE: 600VAC,
- ③ APPLICATION CABLE: 22AWG~14AWG
- ④ OPERATION TEMPERATURE: -30°C~105°C
- ⑤ CONTACT RESISTANCE: 10mΩ MAX. INITIAL
- ⑥ INSULATION RESISTANCE: 1000MΩ MIN. INITIAL
- ⑦ NOTE DELETED

X	6PIN	18.75	37.50	42.70	44.50	1-2271454-6
KEY MARK	PINS	DIM.D	DIM.C	DIM.B	DIM.A	ASSEMBLY P/N

THIS DRAWING IS A CONTROLLED DOCUMENT.		DWN 08JAN2015 Ning Wang	TE Connectivity			
DIMENSIONS:		CHK 08JAN2015 Kobby Zhao				
TOLERANCES UNLESS OTHERWISE SPECIFIED:		APVD 08JAN2015 Xiang Xu	NAME DYNAMIC D3950 RECEPTACLE ASSEMBLY			
mm		PRODUCT SPEC 108-78997	SIZE A2			
		APPLICATION SPEC 411-78272	CAGE CODE -			
MATERIAL TBD		WEIGHT -	DRAWING NO G-2271454			
FINISH -		Customer Drawing	RESTRICTED TO -			
		SCALE 2:1	SHEET 1 OF 1 REV C			